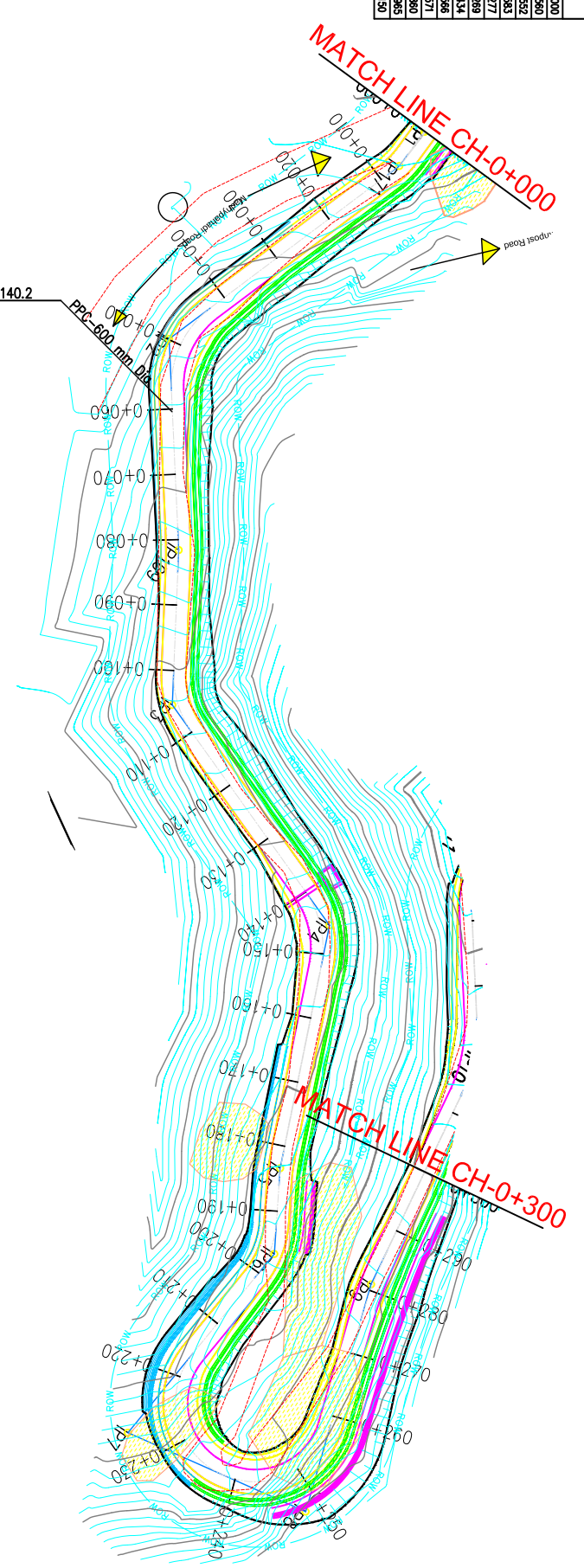
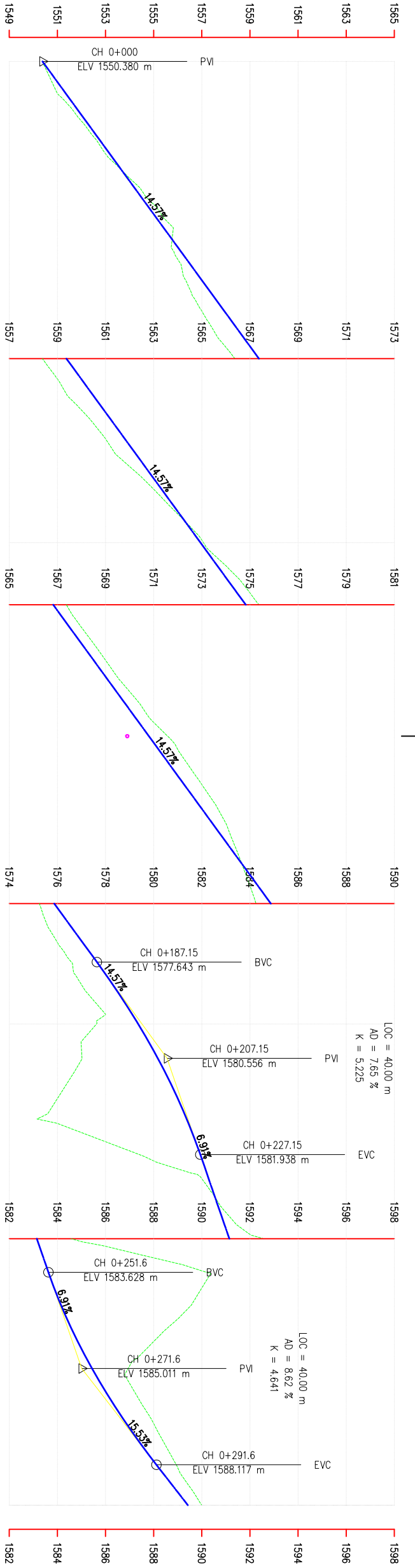
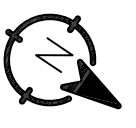
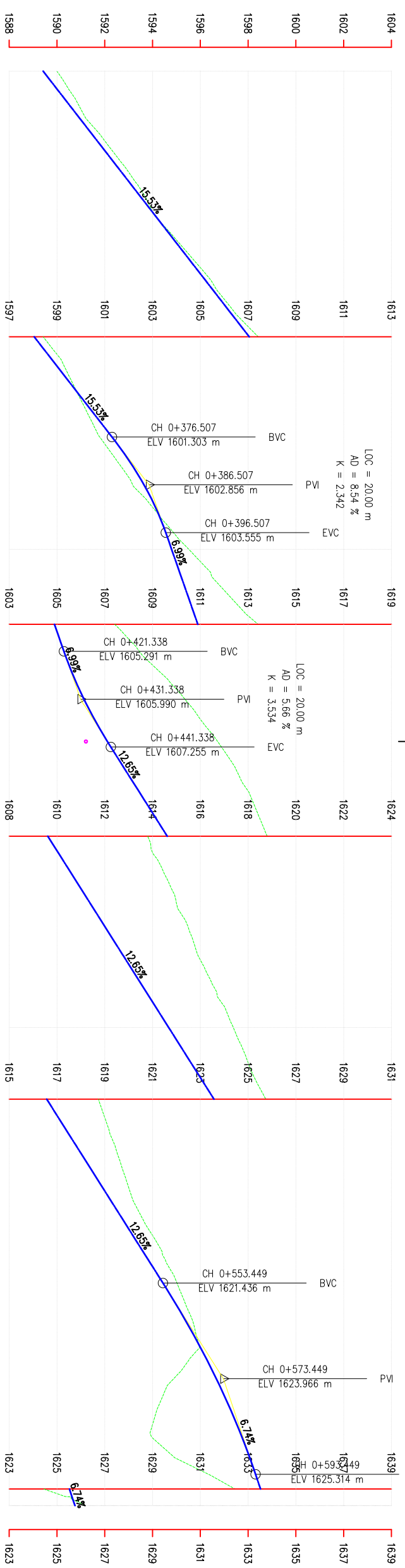
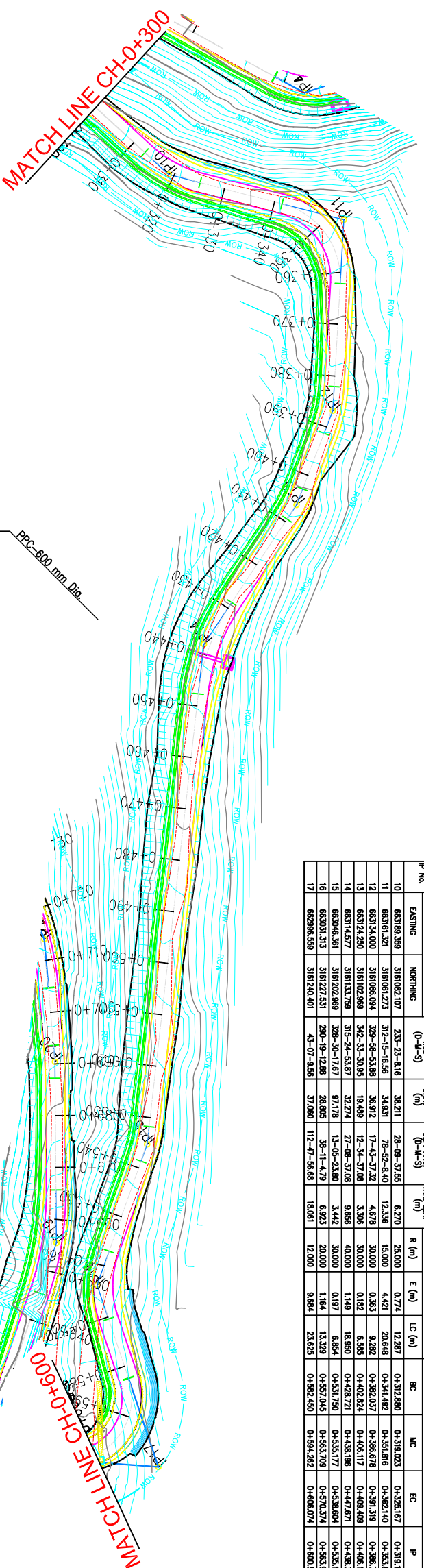


P No.	CO-ORDINATES(m)	EASTING	NORTHING	WOB (0+-S)	DST ₁ (0+-S)	DEF. ANG. (0+-S)	TAN. LEN. (m)	SINGLE CURVE DATA					
								R (m)	E (m)	LC (m)	BC	MC	EC
1	663076.349	316096.134	92-16-14.82	0.000	00-00-00.00	0.000	0.000	0.000	0.000	0.000	0.000	0.000	0.000
P171	663082.904	316096.570	108-08-11.96	6.560	16-49-39.14	2.719	15.000	1.863	4.407	0.404.341	0+008.544	0+008.748	0+008.560
2	663174.444	316096.438	53-27-28.83	44.023	56-40-46.13	7.922	15.000	1.863	14.572	0+492.830	0+049.818	0+050.288	0+050.582
P169	663192.444	316100.089	58-23-54.88	32.299	04-38-28.05	3.473	60.000	0.079	6.945	0+078.019	0+061.581	0+063.024	0+063.583
3	663170.635	316103.075	20-32-57.72	23.898	07-32-57.18	5.148	15.000	0.859	9.818	0+100.729	0+105.588	0+110.047	0+105.277
4	663163.196	316103.913	67-32-48.49	41.370	48-39-50.77	6.522	15.000	1.386	12.304	0+139.747	0+143.589	0+152.051	0+148.289
5	663231.193	316106.290	99-39-01.19	37.905	07-34-48.30	2.690	15.000	0.088	5.292	0+180.785	0+183.431	0+186.078	0+183.434
6	663231.563	316107.286	95-22-19.11	13.139	35-24-18.92	4.768	15.000	0.746	9.289	0+196.413	0+201.047	0+204.566	0+198.566
7	663286.720	316109.815	300-00-28.47	35.311	105-21-50.85	15.742	12.000	7.794	22.067	0+215.829	0+226.863	0+237.898	0+231.571
8	663281.585	316109.815	292-08-6.50	29.708	97-32-21.98	13.774	12.000	6.388	20.488	0+238.087	0+248.338	0+258.585	0+251.860
9	663271.155	316109.775	261-32-45.71	36.153	98-24-39.20	5.782	70.000	0.237	11.488	0+275.203	0+280.952	0+286.701	0+280.985
10	663186.399	316102.107	233-23-8.16	38.211	28-09-37.55	6.270	25.000	0.774	12.287	0+312.860	0+319.023	0+325.187	0+319.150



DESIGN LEVEL(m)	EXISTING LEVEL(m)	CHAINAGE(Km)	HORIZONTAL ALIGNMENT	
			RIGHT	LEFT
1550.380	1550.380	0+000	IP-1P171 R=15.00	NC
1551.837	1551.624	0+010		
1553.294	1553.125	0+020		
1554.751	1555.063	0+030		
1556.207	1555.875	0+040		
1557.664	1556.779	0+050	IP-2 R=15.00	T
1559.121	1558.105	0+060		
1560.577	1559.522	0+070		
1562.034	1561.207	0+080	IP-1P169 R=60.00	T
1563.491	1563.216	0+090		
1564.947	1565.072	0+100		
1566.404	1566.937	0+110	IP-3 R=15.00	T
1567.861	1568.363	0+120		
1569.318	1569.842	0+130		
1570.774	1571.541	0+140	IP-4 R=15.00	T
1572.231	1572.967	0+150		
1573.688	1574.134	0+160		
1575.144	1574.908	0+170		
1576.601	1575.625	0+180	IP-5 R=40.00	T
1578.050	1576.775	0+190		
1579.506	1577.630	0+200	IP-6 R=15.00	T
1581.063	1578.922	0+210		
1582.519	1580.922	0+220	IP-7 R=12.00	T
1584.076	1583.148	0+230		
1585.633	1585.183	0+240	IP-8 R=12.00	T
1587.190	1587.147	0+250		
1588.747	1587.636	0+260	IP-9 R=70.00	T
1590.304	1588.762	0+270		
1591.861	1589.813	0+280		
1593.418	1589.261	0+290		
1594.975	1588.287	0+300		
1596.532	1587.636	0+310		
1598.089	1587.871	0+320		
1599.646	1588.422	0+330		



P No.	CO-ORDINATES(m)		WBS (0+4-9)	DIST. (m)	DEF. ANG. (0+4-5)	TAN. LEN. (m)	SAMPLE CORRE DATA				CHAINAGE			
	EASTING	NORTHING					R (m)	E (m)	LC (m)	BC	MC	EC	P	
10	66309.399	316082.107	23-23-41.6	38.211	28-09-37.55	6.270	25.000	0.774	12.287	0+312.880	0+319.023	0+325.167	0+318.193	
11	66309.321	316081.773	37-15-16.38	34.931	78-32-8.40	12.336	15.000	4.421	20.648	0+341.492	0+350.516	0+359.539	0+353.828	
12	663134.000	316108.094	328-58-53.98	36.912	17-43-37.32	4.678	30.000	0.383	9.282	0+382.037	0+386.878	0+391.719	0+386.715	
13	663124.250	316102.869	316-53-30.95	18.488	12-34-37.08	3.306	30.000	0.182	6.585	0+402.824	0+406.117	0+409.409	0+408.130	
14	663114.577	316133.729	316-24-53.87	32.274	27-08-37.08	8.658	40.000	1.149	18.950	0+428.271	0+438.196	0+448.121	0+438.377	
15	663046.381	316122.848	328-30-17.87	97.778	13-05-23.80	3.442	30.000	0.197	6.854	0+451.790	0+453.177	0+454.564	0+453.182	
16	663031.313	316127.531	290-18-12.88	28.805	38-11-4.79	6.923	20.000	1.184	13.329	0+457.045	0+453.709	0+450.374	0+453.967	
17	662986.599	316124.401	43-07-9.86	37.060	112-47-56.68	18.061	12.000	9.894	23.625	0+482.450	0+484.282	0+486.114	0+480.511	

DESIGN LEVEL(m)	EXISTING LEVEL(m)	CHAINAGE(Km)	HORIZONTAL ALIGNMENT		SUPER ELEVATION
			RIGHT	LEFT	
1589.422	1590.000	0+300			
1590.975	1591.232	0+310			
1592.528	1592.846	0+320			
1594.081	1594.072	0+330			
1595.634	1595.814	0+340			
1597.187	1597.371	0+350			
1598.740	1599.126	0+360			
1600.293	1600.129	0+370			
1601.820	1601.296	0+380			
1603.010	1602.808	0+390			
1603.800	1604.520	0+400			
1604.499	1606.260	0+410			
1605.198	1608.244	0+420			
1606.003	1610.135	0+430			
1607.088	1611.698	0+440			
1608.351	1612.925	0+450			
1609.616	1613.798	0+460			
1610.881	1614.707	0+470			
1612.146	1615.556	0+480			
1613.411	1616.421	0+490			
1614.675	1617.383	0+500			
1615.940	1618.219	0+510			
1617.205	1619.082	0+520			
1618.470	1619.768	0+530			
1619.735	1620.583	0+540			
1621.000	1621.673	0+550			
1622.233	1622.569	0+560			
1623.328	1622.464	0+570			
1624.274	1621.181	0+580			
1625.072	1621.935	0+590			
1625.755	1626.105	0+600			

Government of Nepal
 Ministry of Federal Affairs and General Administration
 Department of Local Infrastructure (DOLI)
 Rural Connectivity Improvement Project-phase 2
 (DOL/RCIP/PPR-04/2019)

CONSULTANT:
ITECO - INCLUSIVE JV
 Sitapalia Chowk, Ring Road

ROAD NAME:
 Sisaghadhi-Jhumlabang-Ransi Road
 Rukum District

DATE: _____

REVISION: _____

SIGNATURE: _____

DESIGNED BY: _____

DRAWN BY: _____

CHECKED BY: _____

APPROVED BY: _____

SCALE: HORIZONTAL: 1:1000
 VERTICAL: 1:200

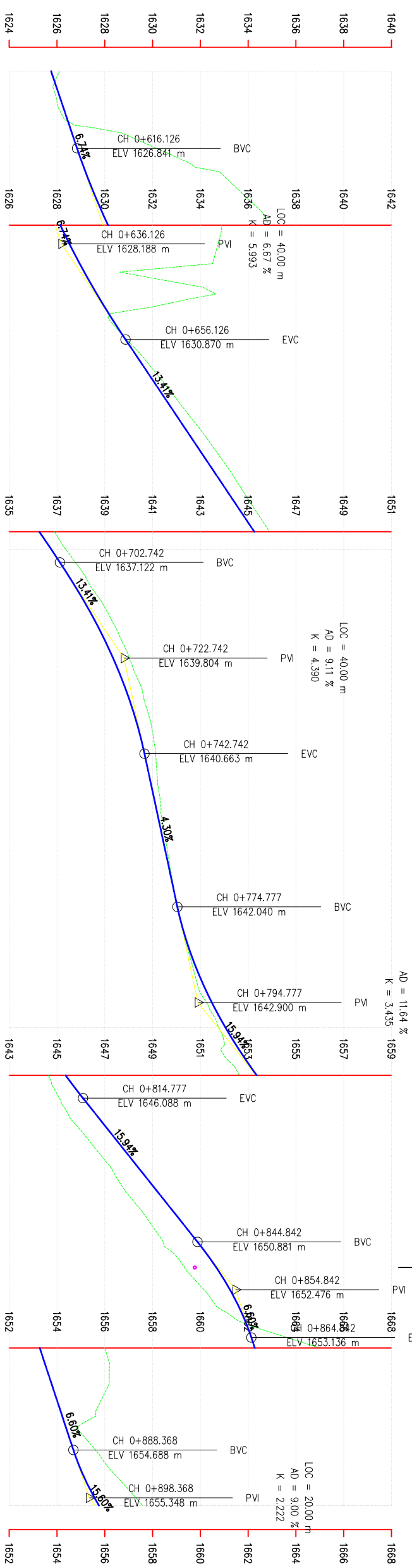
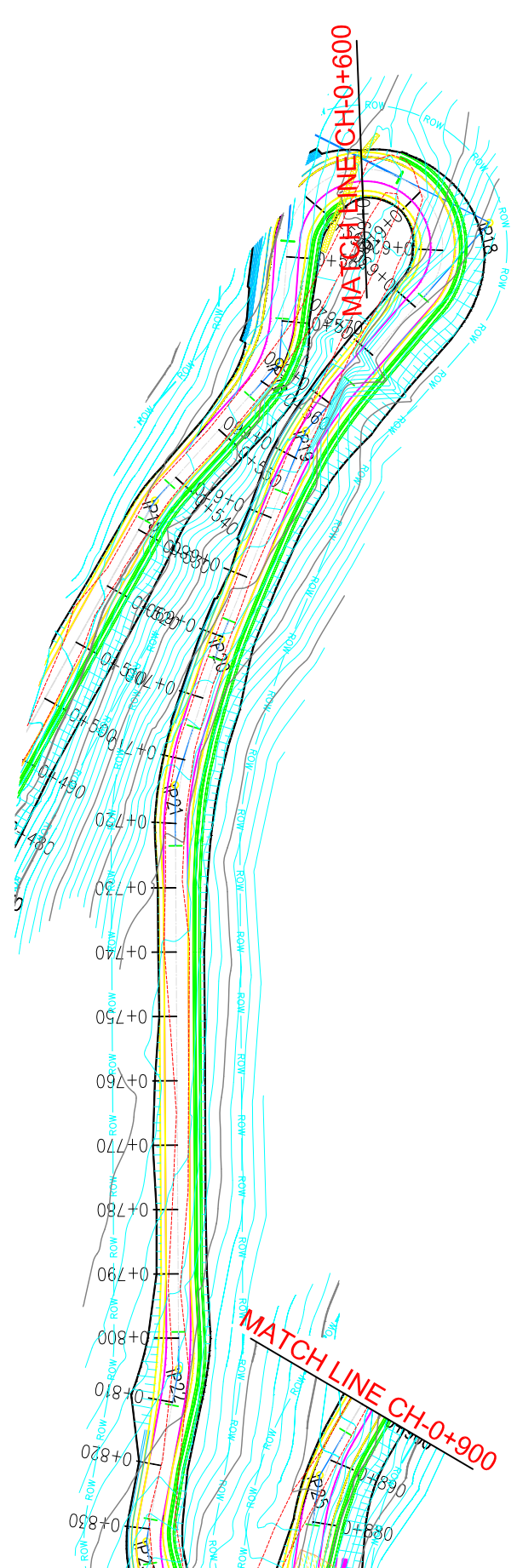
Plan & Profile
 0+300-0+600

DATE: _____

DRG NO: _____

SHEET NO: _____

P No	OO-DIMENSIONS(m)		WBS (0+M-S)	DIST (m)	DE. ANG (0+M-S)	TAN LEN (m)	SWEET CURVE DATA		CHAINAGE				
	EASTING	NORTHING					R (m)	E (m)	LC (m)	BC	MC	EC	P
17	66296.559	3161240.40	43-07-9.56	37.060	112-47-56.68	18.061	12.000	9.884	23.625	0+392.450	0+394.262	0+606.074	0+600.511
18	66300.934	3161265.000	147-47-47.02	33.700	104-40-37.46	15.546	12.000	7.840	21.824	0+406.165	0+417.127	0+620.089	0+621.713
19	66306.243	3161278.531	129-28-4.31	43.093	18-19-42.71	10.217	80.000	0.864	20.241	0+445.422	0+465.543	0+655.631	0+655.640
20	66309.938	3161296.281	123-55-54.54	34.964	04-32-9.76	3.188	80.000	0.739	6.334	0+487.241	0+490.028	0+683.574	0+689.429
21	66309.938	3161313.514	109-02-5.35	23.788	17-53-48.20	9.448	80.000	0.739	18.742	0+504.228	0+514.037	0+723.468	0+714.174
22	663178.856	3161328.453	165-57-56.57	80.728	16-55-51.22	5.741	80.000	0.274	11.442	0+528.489	0+534.720	0+810.254	0+804.746
23	663201.170	3161350.092	97-09-18.51	27.280	18-02-38.08	3.504	20.000	0.205	6.338	0+528.489	0+531.598	0+835.427	0+831.983
24	663283.398	3161363.945	294-43-34.57	62.892	162-21-43.94	77.347	20.000	66.372	34.005	0+537.338	0+551.591	0+871.543	0+871.085
25	663398.895	3161384.805	316-02-43.78	93.142	22-09-9.21	7.830	40.000	0.729	15.465	0+579.589	0+587.241	0+884.974	0+887.339



DESIGN LEVEL(m)	EXISTING LEVEL(m)	CHAINAGE(Km)	HORIZONTAL ALIGNMENT		SUPER ELEVATION
			RIGHT	LEFT	
1625.755	1626.105	0+600	IP-17 R=1200	IP-18 R=1200	0+600
1626.428	1626.298	0+610			0+605.137 0+607.103
1627.115	1631.765	0+620			
1627.936	1634.642	0+630			0+627.151
1628.925	1634.529	0+640			
1630.080	1631.110	0+650		IP-19 R=6000	0+648.86
1631.390	1631.639	0+660			0+662.226
1632.731	1633.226	0+670			
1634.072	1634.743	0+680		NC	0+677.226
1635.413	1636.066	0+690		IP-20 R=6000	0+693.742
1636.754	1637.365	0+700			
1638.035	1638.736	0+710		IP-21 R=6000	0+707.992
1639.097	1639.797	0+720			0+720.202
1639.931	1640.591	0+730			
1640.537	1641.055	0+740			0+734.452
1640.975	1641.245	0+750			
1641.405	1641.519	0+760		NC	
1641.835	1641.855	0+770			
1642.305	1642.279	0+780			0+787.444
1643.032	1642.825	0+790		IP-22 R=6000	0+802.444
1643.360	1644.633	0+800			0+807.016
1644.921	1645.726	0+820		IP-23 R=2000	0+838.476
1648.515	1647.339	0+830			
1650.109	1648.777	0+840		IP-24 R=1200	
1651.641	1650.317	0+850			0+870.606
1652.761	1652.207	0+860		IP-25 R=4000	0+880.446
1653.476	1656.199	0+870			0+894.037
1654.136	1655.645	0+880			
1654.802	1655.859	0+890			
1655.760	1657.585	0+900			

Government of Nepal
Ministry of Federal Affairs and General Administration
Department of Local Infrastructure (DOLI)
Rural Connectivity Improvement Project-phase 2
(DOLI/RCIP/PPR-04/2019)

CONSULTANT:
ITECO - INCLUSIVE JV
Sitapalia Chowk, Ring Road

ROAD NAME:
Sisaghadhi-Jhumlabang-Ransi Road
Rukum District

DATE: _____

REVISION: _____

SIGNATURE: _____

DESIGNED BY: _____

CHECKED BY: _____

APPROVED BY: _____

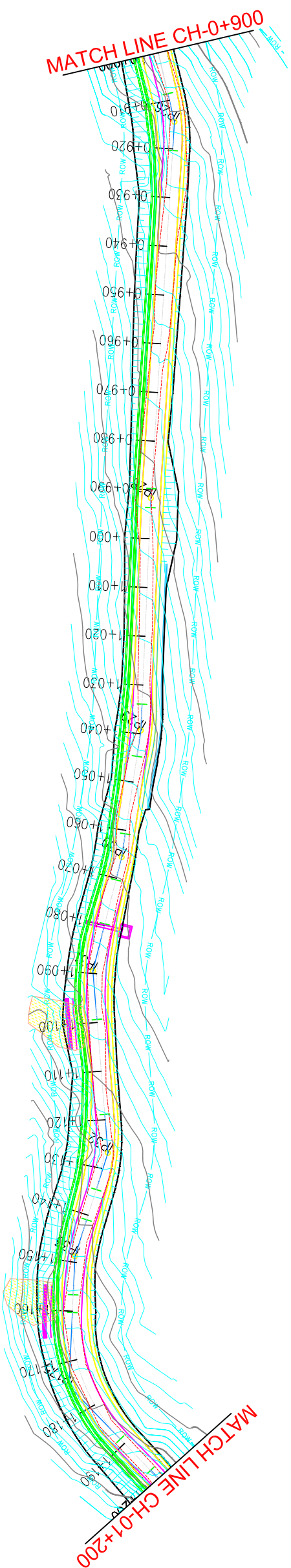
SCALE: HORIZONTAL 1:1000
VERTICAL 1:200

Plan & Profile
0+600-0+900

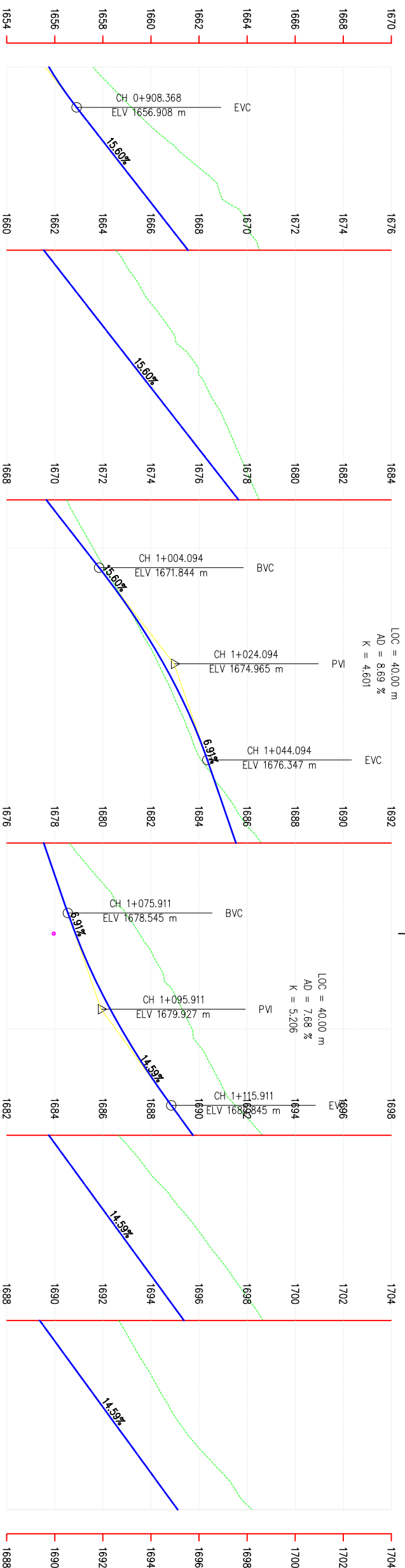
DATE: _____

DRG NO: _____

SHEET NO: **3**



P No.	CO-ORDINATES(m)		WBS (0+M.S)	DSTI (m)	DEF. ANG (0+M.S)	TAN. LEN (m)	SIMPLE CURVE DATA						
	EASTING	NORTHING					R (m)	E (m)	LC (m)	BC	MC	EC	P
25	663196.496	316184.665	316-92-43.78	93.142	22-09-9.21	7.830	40.000	0.759	15.465	0+879.509	0+897.241	0+884.974	0+887.339
26	663190.188	316204.781	333-41-1.32	27.269	16-46-17.53	5.998	40.000	0.534	11.732	0+908.604	0+914.470	0+903.136	0+914.932
28	663163.928	316274.031	339-33-50.81	77.297	09-07-10.50	1.994	200.000	0.010	3.908	0+988.730	0+991.684	0+983.838	0+991.684
29	663131.927	316316.295	339-43-2.46	47.619	09-09-11.65	5.375	100.000	0.144	10.739	1+033.928	1+039.298	1+044.688	1+039.303
30	663114.470	316340.751	344-14-26.72	26.247	05-31-23.28	26.247	100.000	0.116	9.840	1+090.716	1+095.536	1+070.356	1+085.540
31	663107.229	316383.029	329-23-16.34	24.982	18-51-10.39	9.881	60.000	0.392	19.743	1+079.853	1+089.524	1+099.396	1+089.814
32	663086.107	316396.677	347-43-39.23	37.391	22-20-23.94	37.391	40.000	0.772	15.396	1+116.897	1+126.695	1+134.493	1+126.295
33	663061.577	316316.424	332-46-42.82	22.238	14-56-56.46	22.238	40.000	0.514	15.855	1+140.979	1+146.806	1+136.533	1+146.851
P175	663089.807	316140.082	288-04-27.75	26.604	46-42-15.07	26.604	33.000	3.123	28.530	1+180.294	1+174.919	1+186.794	1+173.365
34	663032.290	316160.699	312-56-38.90	38.347	26-52-11.05	38.347	60.000	1.898	28.138	1+197.697	1+211.796	1+225.829	1+212.020



DESIGN LEVEL(m)	EXISTING LEVEL(m)	CHAINAGE(Km)	HORIZONTAL ALIGNMENT		SUPER ELEVATION
			RIGHT	LEFT	
1655.760	1657.585	0+900			
1657.163	1659.508	0+910			
1658.723	1661.780	0+920			
1660.284	1663.725	0+930			
1661.844	1664.826	0+940			
1663.404	1666.143	0+950			
1664.964	1667.608	0+960			
1666.525	1668.692	0+970			
1668.085	1669.630	0+980			
1669.645	1670.503	0+990			
1671.205	1671.591	1+000			
1672.728	1672.769	1+010			
1674.051	1673.894	1+020			
1675.157	1674.878	1+030			
1676.045	1675.716	1+040			
1676.755	1676.937	1+050			
1677.445	1678.394	1+060			
1678.136	1680.043	1+070			
1678.843	1681.493	1+080			
1679.709	1682.563	1+090			
1680.766	1683.712	1+100			
1682.016	1684.751	1+110			
1683.442	1686.274	1+120			
1684.901	1687.959	1+130			
1686.360	1689.674	1+140			
1687.820	1691.184	1+150			
1689.279	1692.588	1+160			
1690.738	1693.766	1+170			
1692.197	1694.917	1+180			
1693.657	1696.527	1+190			
1695.116	1698.205	1+200			

Government of Nepal
 Ministry of Federal Affairs and General Administration
 Department of Local Infrastructure (DOLI)
 Rural Connectivity Improvement Project-phase 2
 (DOL/RCIP/PR-04/2019)

CONSULTANT:
ITECO - INCLUSIVE JV
 Sitapalia Chowk, Ring Road

ROAD NAME:
 Sisaghad-Jhumabang-Ransi Road

Rukum District

DATE: _____

REVISION: _____

SIGNATURE: _____

DESIGNED BY: _____

DRAWN BY: _____

CHECKED BY: _____

APPROVED BY: _____

SCALE: HORIZONTAL 1:1000
 VERTICAL 1:200

Plan & Profile

0+900-1+200

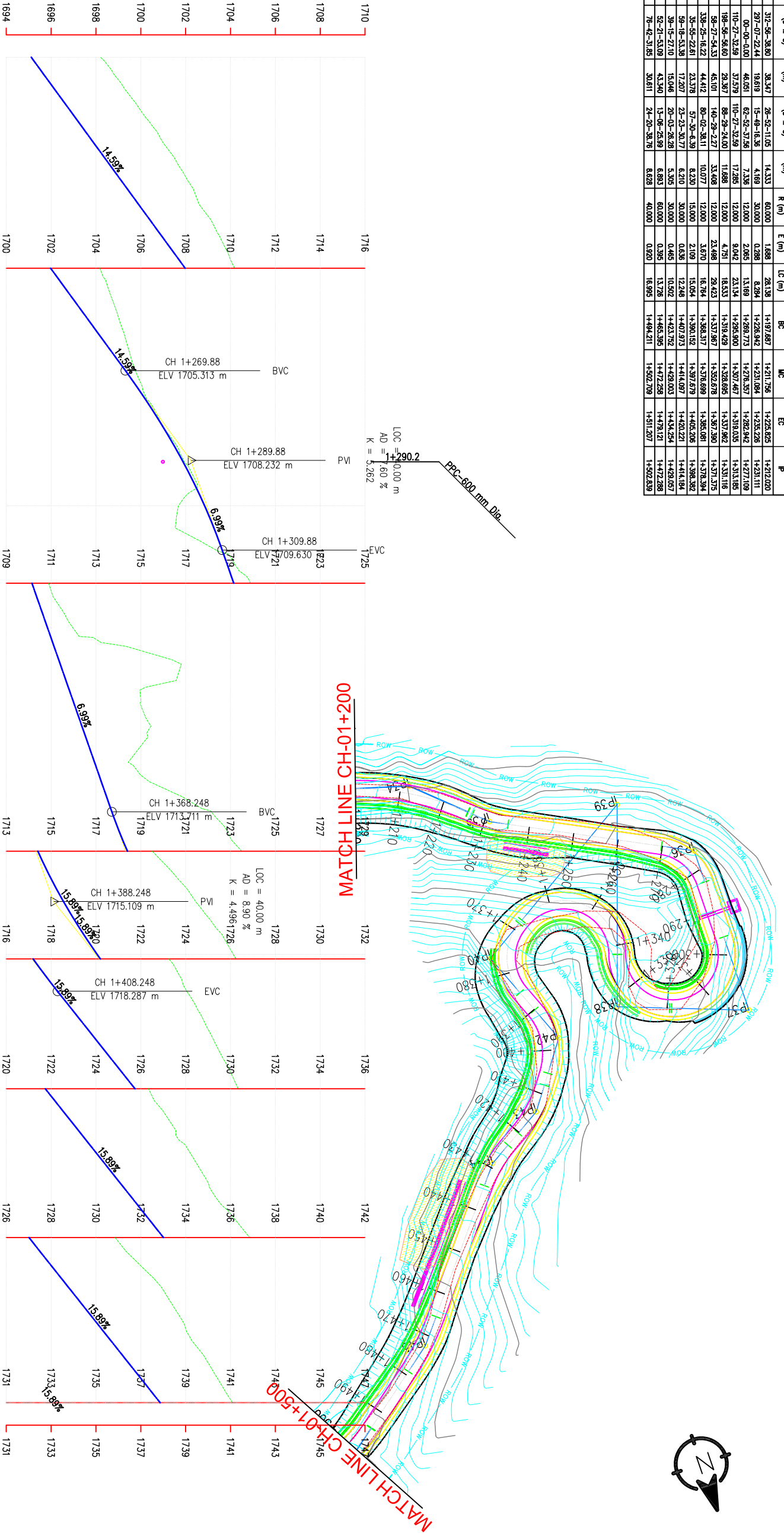
DATE: _____

DRG NO: _____

SHEET NO: _____



P No.	CO-ORDINATES (m)			DST. (m)	DEF. ANG. (0-180)	TAN. LEN. (m)	SAMPLE CURVE DATA						
	EASTING	NORTHING	(0-M)S				R (m)	E (m)	LC (m)	BC	MC	EC	P
34	66302.960	316150.692	312-56-38.80	38.347	26-52-11.05	14.333	60.000	1.688	28.138	1+197.887	1+211.756	1+225.625	1+239.200
35	66303.598	316164.065	287-07-22.44	19.618	15-46-16.36	4.188	30.000	0.288	8.294	1+226.942	1+231.084	1+235.226	1+239.111
36	66297.712	316165.983	00-00-00.00	46.051	62-52-37.84	7.338	12.000	2.085	13.169	1+288.773	1+278.357	1+282.242	1+277.108
37	66287.712	316122.639	110-21-32.99	37.579	110-21-32.99	17.285	12.000	8.042	23.134	1+288.800	1+287.407	1+286.085	1+284.185
38	663005.726	3161512.574	198-56-38.80	23.367	66-29-24.00	11.688	12.000	4.791	18.533	1+318.429	1+328.685	1+337.862	1+331.116
39	66290.481	316168.771	98-27-54.33	44.018	140-28-22.77	33.408	12.000	23.988	28.423	1+337.987	1+332.678	1+325.081	1+317.375
40	663028.334	3161492.946	338-25-18.22	44.412	60-02-38.11	10.077	15.000	3.670	16.784	1+365.081	1+378.590	1+385.081	1+378.394
42	663018.736	3161514.665	35-55-22.61	23.578	57-30-6.39	6.230	15.000	2.109	15.034	1+391.679	1+404.097	1+405.206	1+401.884
43	663029.832	3161528.619	59-18-53.38	17.207	23-23-30.77	6.210	30.000	0.636	12.248	1+407.973	1+414.097	1+420.221	1+414.184
44	663042.771	3161536.288	39-15-27.10	15.046	20-03-26.28	5.305	30.000	0.465	10.502	1+428.003	1+428.003	1+434.254	1+429.057
45	663070.197	3161588.856	52-21-53.09	43.340	13-06-25.99	6.883	60.000	0.395	13.726	1+443.395	1+472.288	1+479.121	1+472.288
P176	663094.438	3161588.548	78-42-31.85	30.811	24-20-38.76	8.628	40.000	0.920	18.995	1+494.211	1+502.709	1+511.207	1+502.839



DESIGN LEVEL (m)	EXISTING LEVEL (m)	CHAINAGE (km)	HORIZONTAL ALIGNMENT		SUPER ELEVATION
			RIGHT	LEFT	
1695.116	1698.205	1+200	IP-34 R=60.00	-2.5	1+200
1696.575	1699.737	1+210			
1698.034	1701.137	1+220			
1699.494	1702.390	1+230	IP-35 R=30.00		1+224.888 1+228.825
1700.953	1703.523	1+240		NC	
1702.412	1704.452	1+250			
1703.871	1705.139	1+260			1+260.367
1705.331	1705.767	1+270	IP-36 R=12.00		1+272.835
1706.693	1706.752	1+280			1+279.879
1707.865	1707.918	1+290			1+296.838
1708.847	1707.676	1+300			
1709.638	1709.397	1+310	IP-37 R=12.00		
1710.338	1711.071	1+320			1+318.097 1+320.366
1711.037	1713.071	1+330	IP-38 R=12.00		
1711.736	1715.631	1+340			1+337.024 1+338.905
1712.435	1715.342	1+350			
1713.134	1714.985	1+360	IP-39 R=12.00		
1713.837	1718.447	1+370			1+366.452 1+369.254
1714.686	1720.088	1+380	IP-40 R=12.00		
1715.758	1721.726	1+390			1+384.144 1+391.09
1717.052	1723.123	1+400	IP-42 R=15.00		
1718.565	1724.284	1+410	IP-43 R=30.00		1+404.269 1+408.911
1720.154	1725.333	1+420			1+419.284 1+424.689
1721.743	1726.346	1+430	IP-44 R=30.00		
1723.332	1727.564	1+440			1+433.316 1+437.254
1724.921	1728.896	1+450			
1726.509	1730.343	1+460			1+453.833
1728.098	1732.108	1+470	IP-45 R=60.00		1+468.833
1729.687	1733.642	1+480			1+475.684
1731.276	1734.870	1+490	IP-47 R=40.00		
1732.865	1736.097	1+500			1+495.149 1+500

Government of Nepal
Ministry of Federal Affairs and General Administration
Department of Local Infrastructure (DOLI)
Rural Connectivity Improvement Project-phase 2
(DOL/RCIP/PR-04/2019)

CONSULTANT:
ITECO - INCLUSIVE JV
Sitapalia Chowk, Ring Road

ROAD NAME:
Sisaghad-Jhumlabang-Ransi Road
Rukum District

DATE: _____

REVISION: _____

SIGNATURE: _____

DESIGNED BY: _____

DRAWN BY: _____

CHECKED BY: _____

APPROVED BY: _____

SCALE: HORIZONTAL 1:1000
VERTICAL 1:200

Plan & Profile
1+200-1+500

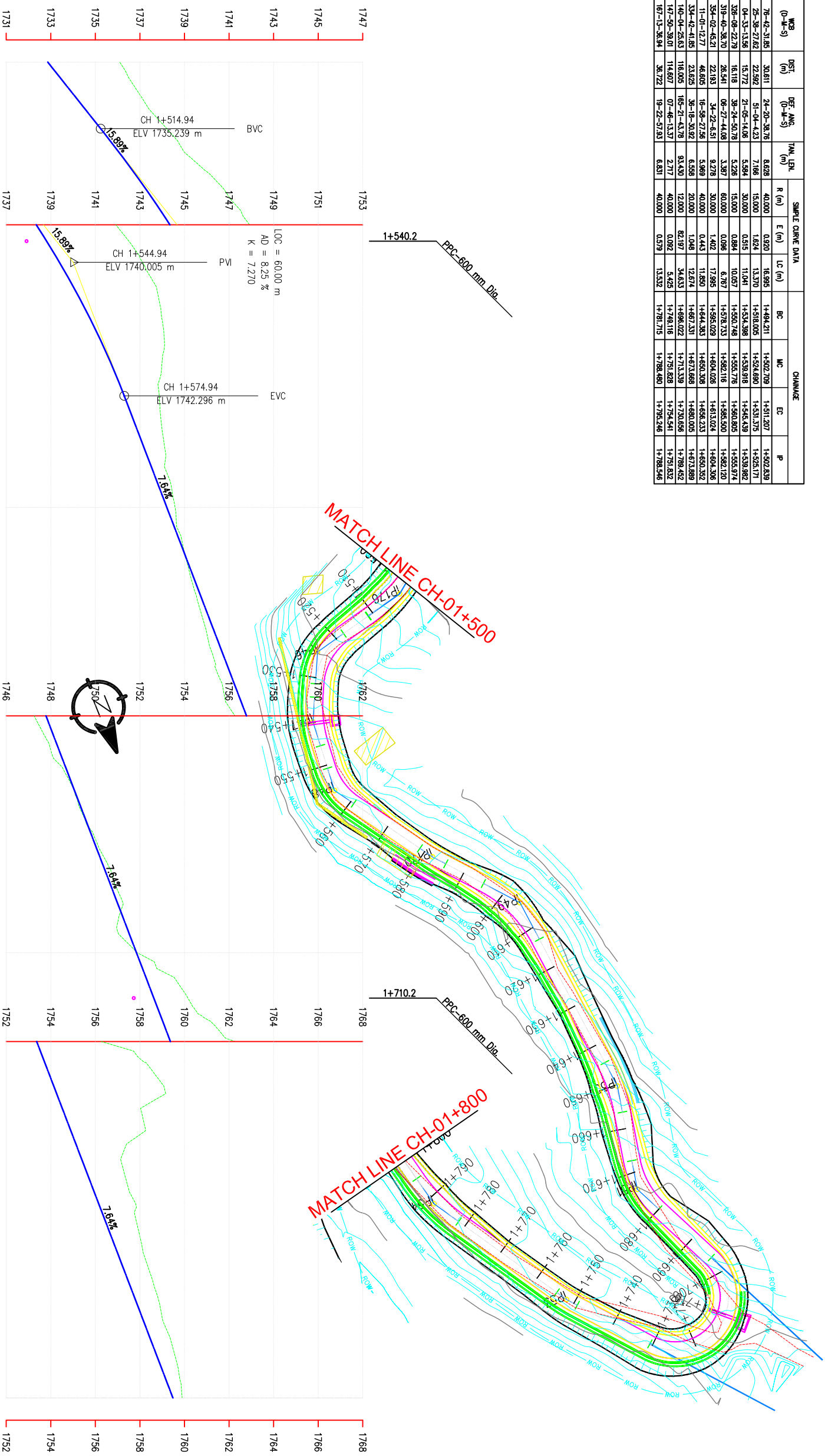
DATE: _____

DRG NO: _____

SHEET NO: _____

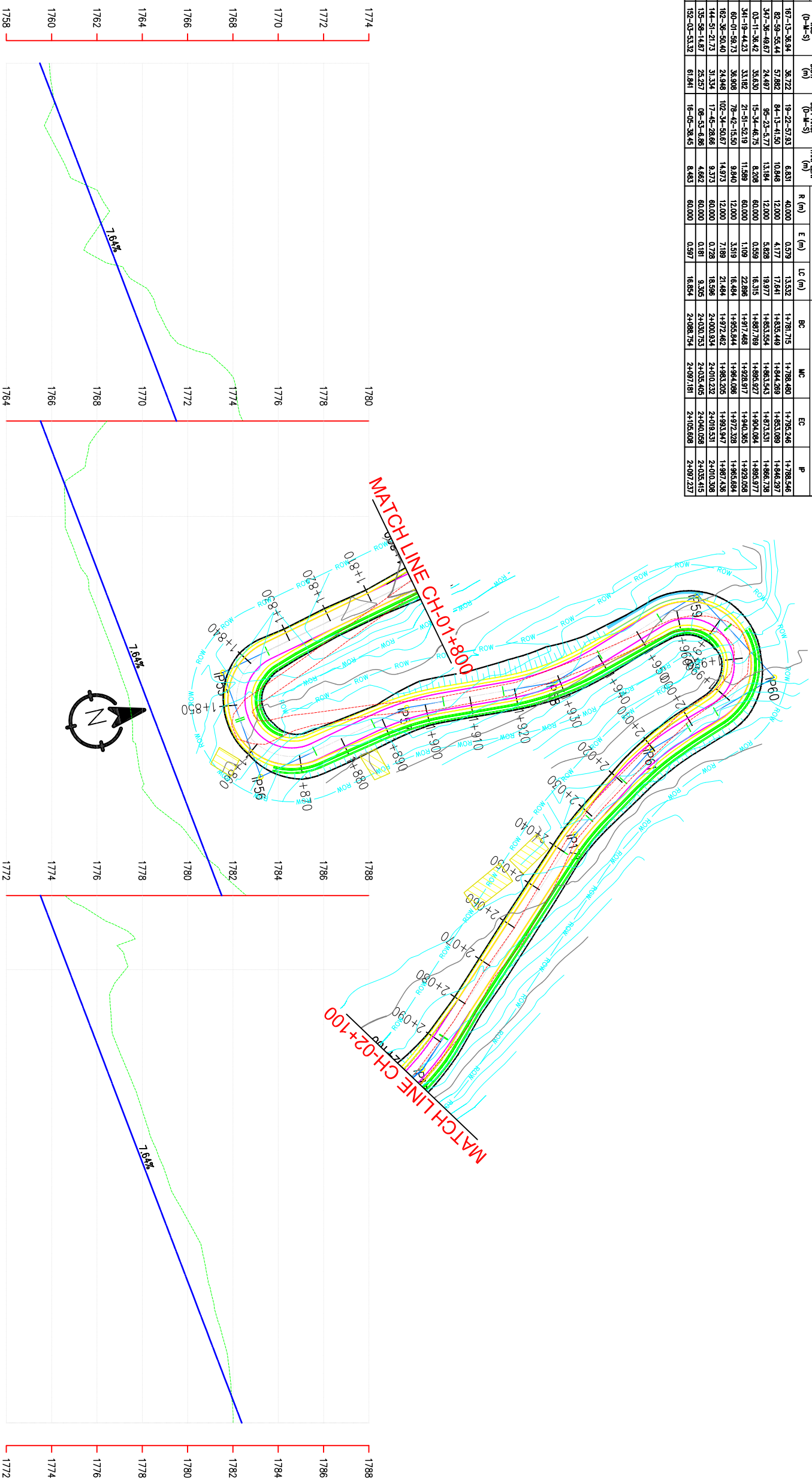


P No.	CHORD DISTANCE (m)		WBS (0+0-9)	DIST (0+0-9)	DEF. ANG (0+0-9)	TAN LEN (m)	SINGLE CURVE DATA						
	EXISTING	NORMING					R (m)	E (m)	LC (m)	BC	MC	EC	P
P176	663094.438	3161588.548	78-02-31.85	30.611	24-20-38.76	8.628	40,000	0.920	16.995	1+494.211	1+502.709	1+511.207	1+502.839
46	663116.425	3161583.742	25-08-27.82	22.992	21-04-43.1	7.164	15,000	1.624	13.370	1+518.005	1+524.680	1+531.375	1+525.171
47	663123.250	3161607.281	04-33-13.86	15.772	21-05-14.06	5.994	30,000	0.515	11.041	1+534.398	1+539.918	1+546.439	1+539.982
48	663124.530	3161624.029	328-08-22.79	16.118	38-24-50.78	5.226	15,000	0.894	10.057	1+550.748	1+555.778	1+560.805	1+555.974
P170	663109.242	3161626.898	319-00-38.20	28.541	08-22-44.81	3.387	60,000	0.096	6.787	1+578.733	1+582.116	1+586.500	1+580.120
49	663096.261	3161662.288	354-02-45.21	22.183	34-22-6.51	9.278	30,000	1.402	17.985	1+595.029	1+604.026	1+613.024	1+604.326
50	663090.477	3161709.342	11-01-12.27	44.625	16-08-27.56	6.588	40,000	0.443	11.860	1+644.331	1+650.308	1+656.233	1+650.352
51	663098.683	3161722.531	324-02-41.85	23.625	36-18-30.92	6.588	20,000	1.048	12.674	1+667.331	1+673.688	1+680.025	1+673.889
52	663045.508	3161827.250	146-04-23.83	116.003	08-21-53.78	83.430	12,000	82.197	34.633	1+696.022	1+713.329	1+730.639	1+708.832
53	663118.053	3161782.531	141-30-39.07	114.607	07-46-13.37	2.717	40,000	0.092	3.423	1+748.116	1+751.628	1+754.541	1+751.632
54	663138.607	3161718.443	167-13-38.94	38.722	18-22-57.93	6.831	40,000	0.379	13.332	1+781.715	1+788.480	1+795.246	1+788.548



SUPER ELEVATION	HORIZONTAL ALIGNMENT	CHAINAGE (km)	EXISTING LEVEL (m)	DESIGN LEVEL (m)	RIGHT		LEFT	
					R	P	R	P
1+500	IP-P176 R=40.00	1+500	1736.097	1732.865				
1+510.269		1+510	1737.339	1734.454				
1+518.943	IP-46 R=15.00	1+520	1738.961	1736.025				
1+530.437		1+530	1740.970	1737.476				
1+535.335	IP-47 R=30.00	1+540	1742.475	1738.789				
1+544.502		1+550	1743.686	1739.964				
1+551.685	IP-48 R=15.00	1+560	1744.063	1741.002				
1+559.867		1+570	1743.952	1741.902				
1+563.805		1+580	1743.940	1742.683				
1+586.06	IP-P170 R=60.00	1+590	1744.123	1743.446				
1+597.872		1+600	1744.578	1744.210				
1+610.18	IP-49 R=30.00	1+610	1744.991	1744.974				
1+621.993		1+620	1745.540	1745.737				
1+636.695		1+630	1746.076	1746.501				
1+646.82	IP-50 R=40.00	1+640	1746.705	1747.264				
1+653.796		1+650	1747.589	1748.028				
1+668.268	IP-51 R=20.00	1+660	1748.688	1748.792				
1+679.067		1+670	1749.531	1749.555				
1+700.179		1+680	1750.545	1750.319				
1+700.179		1+690	1751.188	1751.082				
1+700.179		1+700	1751.878	1751.846				
1+726.499	IP-52 R=12.00	1+710	1754.130	1752.610				
1+726.499		1+720	1756.293	1753.373				
1+754.541	IP-53 R=40.00	1+730	1759.079	1754.137				
1+754.541		1+740	1758.253	1754.900				
1+754.541		1+750	1757.325	1755.664				
1+768.902		1+760	1757.824	1756.428				
1+768.902		1+770	1758.325	1757.191				
1+785.777	IP-54 R=40.00	1+780	1758.928	1757.955				
1+791.184		1+790	1759.547	1758.719				
1+800		1+800	1759.896	1759.482				

P No.	CO-ORDINATES(m)		WBS (0+MS)	DST (m)	DEG. ANG (0+MS)	TAN. LEN (m)	SIMPLE CURVE DATA				CHANGING			
	EASTING	NORTHING					R (m)	E (m)	LC (m)	BC	MC	EC	P	
54	66319.607	316178.443	167-13-36.94	36.722	9-22-57.93	6.831	40.000	0.579	13.532	1+781.715	1+788.480	1+795.246	1+798.546	
55	66319.404	316166.993	82-59-55.44	57.882	84-13-41.50	10.848	12.000	4.177	17.641	1+833.449	1+844.289	1+853.088	1+866.297	
56	663175.718	316164.079	347-36-49.67	24.497	95-23-5.77	13.184	12.000	5.828	18.977	1+863.543	1+868.543	1+873.537	1+886.238	
57	663168.075	316169.780	03-11-38.42	35.630	15-34-46.75	8.208	60.000	0.599	18.315	1+887.768	1+895.927	1+904.094	1+885.977	
58	663169.924	316172.910	341-19-44.23	33.182	21-51-52.19	11.589	60.000	1.109	22.898	1+928.917	1+932.917	1+940.395	1+929.058	
59	663156.108	316177.878	60-01-59.73	36.808	79-42-15.50	9.840	12.000	3.919	16.484	1+955.844	1+964.098	1+972.259	1+965.884	
60	663179.271	316170.339	162-36-50.40	26.948	102-34-50.67	14.973	12.000	7.189	21.464	1+972.462	1+983.205	1+993.232	1+987.536	
61	663189.094	316170.433	144-51-21.73	31.334	17-45-28.86	9.313	60.000	0.728	18.305	2+000.334	2+003.753	2+040.058	2+005.415	
P171	663203.623	316178.782	135-08-14.87	25.237	08-53-6.86	4.082	60.000	0.181	16.834	2+088.794	2+093.405	2+097.181	2+105.008	
P172	663246.604	316185.319	152-03-53.32	61.841	16-05-38.45	6.483	60.000	0.397	18.834	2+088.794	2+097.181	2+105.008	2+097.237	



DESIGN LEVEL(m)	EXISTING LEVEL(m)	CHAINAGE(Km)	HORIZONTAL ALIGNMENT		SUPER ELEVATION
			RIGHT	LEFT	
1759.482	1759.896	1+800			
1760.246	1760.021	1+810			
1761.009	1760.340	1+820			
1761.773	1762.222	1+830			
1762.537	1761.529	1+840			
1763.300	1764.251	1+850			
1764.064	1765.231	1+860			
1764.827	1768.060	1+870			
1765.591	1768.268	1+880			
1766.355	1767.225	1+890			
1767.118	1766.602	1+900			
1767.882	1767.188	1+910			
1768.646	1767.957	1+920			
1769.409	1768.719	1+930			
1770.173	1769.399	1+940			
1770.936	1769.682	1+950			
1771.700	1769.985	1+960			
1772.464	1771.992	1+970			
1773.227	1773.765	1+980			
1773.991	1776.748	1+990			
1774.754	1777.258	2+000			
1775.518	1776.621	2+010			
1776.282	1777.156	2+020			
1777.045	1777.934	2+030			
1777.809	1778.642	2+040			
1778.572	1779.418	2+050			
1779.336	1780.527	2+060			
1780.100	1780.981	2+070			
1780.863	1781.495	2+080			
1781.627	1781.879	2+090			
1782.391	1782.008	2+100			

Government of Nepal
 Ministry of Federal Affairs and General Administration
 Department of Local Infrastructure (DOLI)
 Rural Connectivity Improvement Project-phase 2
 (DOL/RCIP/PPR-04/2019)

CONSULTANT:
ITECO - INCLUSIVE JV
 Sitapalia Chowk, Ring Road

ROAD NAME:
 Sisaghad-Jhumlabang-Ransi Road
 Rukum District

DATE: _____ REVISION: _____ SIGNATURE: _____

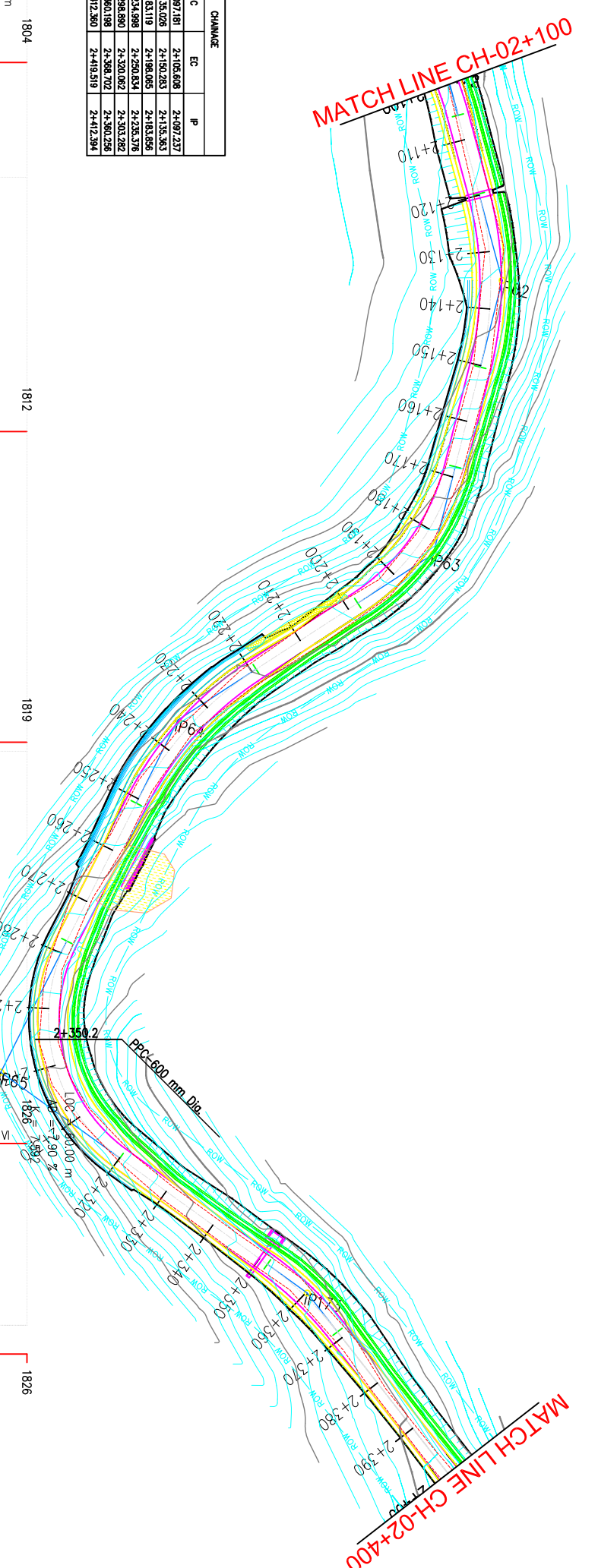
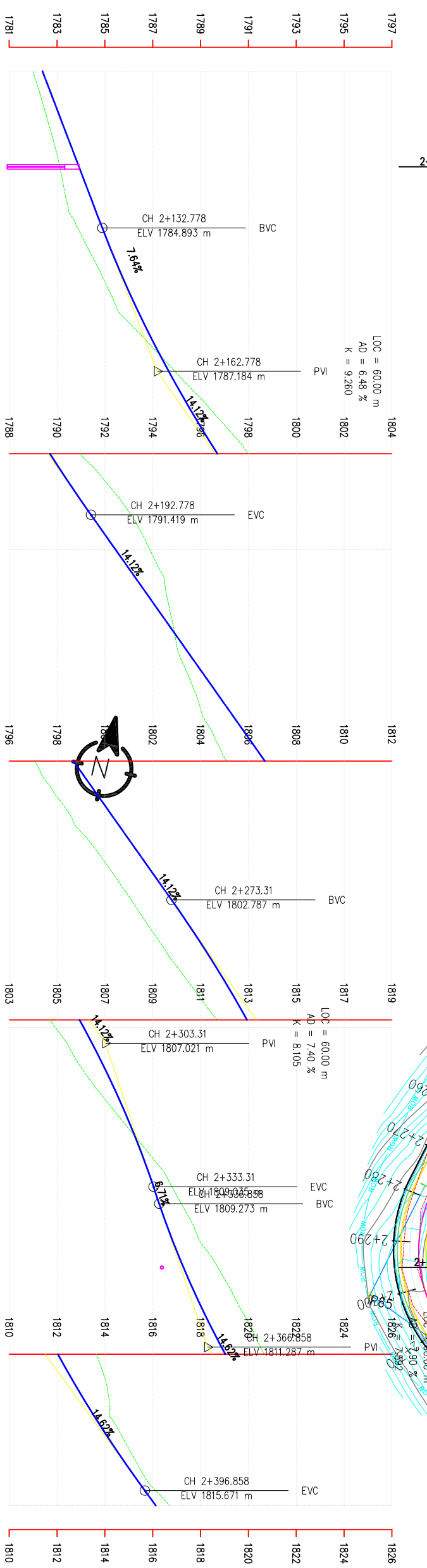
DESIGNED BY: _____ DRAWN BY: _____ CHECKED BY: _____ APPROVED BY: _____

SCALE: HORIZONTAL: 1:1000 VERTICAL: 1:200

Plan & Profile
 1+800-2+100

DATE: _____ DRG NO.: _____ SHEET NO.: **7**

P No.	O-D ORDNANCES (m)		DIST. (m)	DEF. ANG. (D-M-S)	TAN. LEN. (m)	SINGLE CURVE DATA		CHAINAGE				
	EASTING	NORTHING				R (m)	E (m)	LC (m)	BC	MC	EC	P
P172	663246.604	3161685.319	152-03-53.32	61.841	8.453	60.000	0.597	16.854	2+088.754	2+097.181	2+105.608	2+109.7237
62	663264.517	3161691.537	181-12-12.46	38.238	15.897	60.000	1.993	30.514	2+119.799	2+135.026	2+150.283	2+155.363
63	663263.485	3161692.380	224-01-17.79	49.169	40.833	40.000	2.965	28.893	2+168.172	2+183.119	2+198.065	2+193.695
64	663228.658	3161954.273	193-46-38.10	92.894	30-14-39.70	60.000	2.152	31.672	2+219.162	2+234.998	2+250.834	2+255.376
65	663210.308	3161487.586	112-54-20.77	68.682	80-52-17.32	30.000	9.415	42.344	2+277.718	2+298.890	2+320.062	2+325.282
P173	663270.879	3161471.982	129-08-48.47	65.739	16-14-27.70	60.000	0.608	17.008	2+351.695	2+361.198	2+368.702	2+370.295
67	663311.403	3161430.004	115-28-25.81	52.253	13-40-22.62	60.000	0.430	14.318	2+405.201	2+412.360	2+419.519	2+421.994



CHAINAGE (km)	HORIZONTAL ALIGNMENT		EXISTING LEVEL (m)	DESIGN LEVEL (m)
	RIGHT	LEFT		
2+100	IP-P172 R=60.00		1782.008	1782.391
2+110			1782.588	1783.154
2+120			1783.117	1783.918
2+130	IP-P172 R=60.00		1783.561	1784.681
2+140			1784.606	1785.473
2+150			1785.532	1786.369
2+160			1787.411	1787.372
2+170			1789.295	1788.484
2+180			1790.985	1789.703
2+190			1792.701	1791.031
2+200			1793.875	1792.438
2+210			1794.594	1793.850
2+220			1794.999	1795.262
2+230			1795.780	1796.673
2+240			1796.638	1798.085
2+250			1797.778	1799.496
2+260			1799.176	1800.908
2+270			1800.640	1802.319
2+280			1801.996	1803.703
2+290			1803.423	1804.971
2+300			1804.934	1806.115
2+310			1806.236	1807.135
2+320			1807.812	1808.032
2+330			1809.451	1808.806
2+340			1810.549	1809.491
2+350			1811.701	1810.269
2+360			1812.813	1811.179
2+370			1813.770	1812.221
2+380			1814.204	1813.395
2+390			1815.215	1814.700
2+400			1816.719	1816.131

Government of Nepal
 Ministry of Federal Affairs and General Administration
 Department of Local Infrastructure (DOL)

CONSULTANT:
ITECO - INCLUSIVE JV
 Sitapalia Chowk, Ring Road

ROAD NAME:
 Sisaghad-Jhumlabang-Ransi Road

DATE: _____

REVISION: _____

SIGNATURE: _____

DESIGNED BY: _____

DRAWN BY: _____

CHECKED BY: _____

APPROVED BY: _____

SCALE: HORIZONTAL 1:1000
 VERTICAL 1:200

Plan & Profile

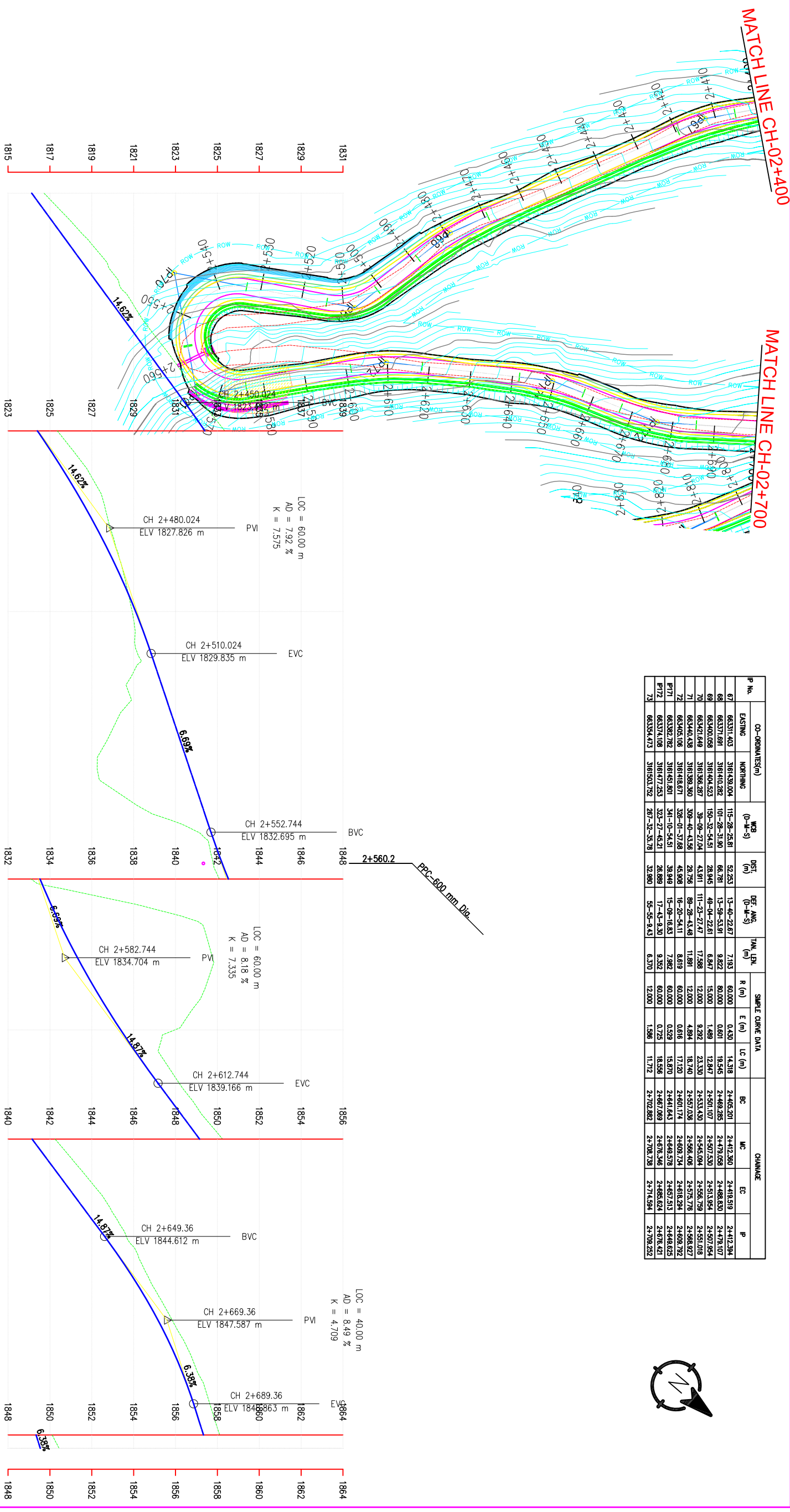
2+100-2+400

DATE: _____

DRG NO: _____

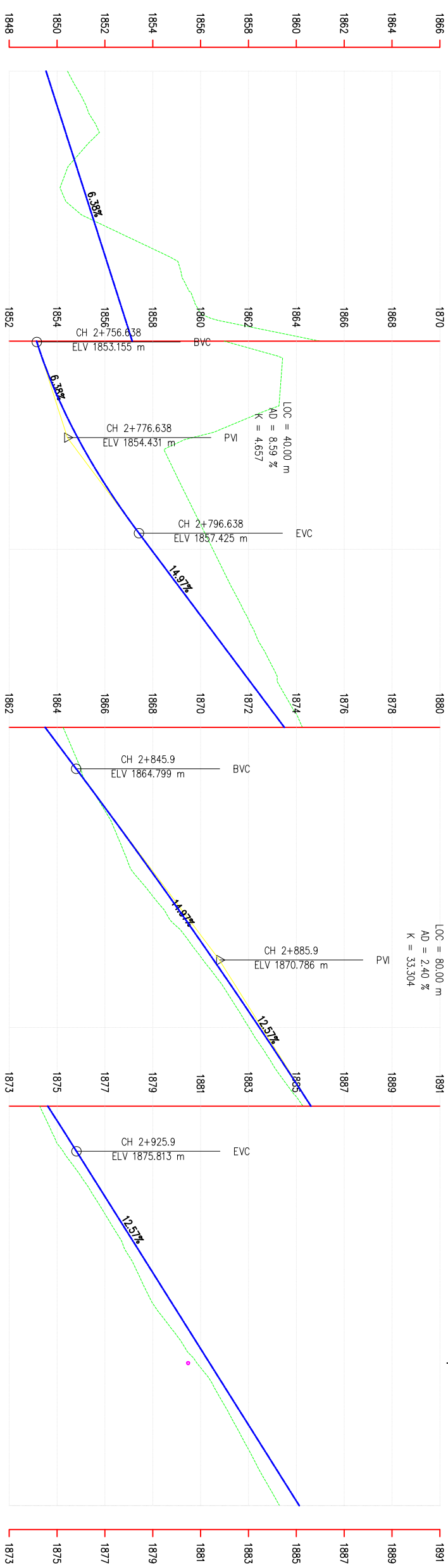
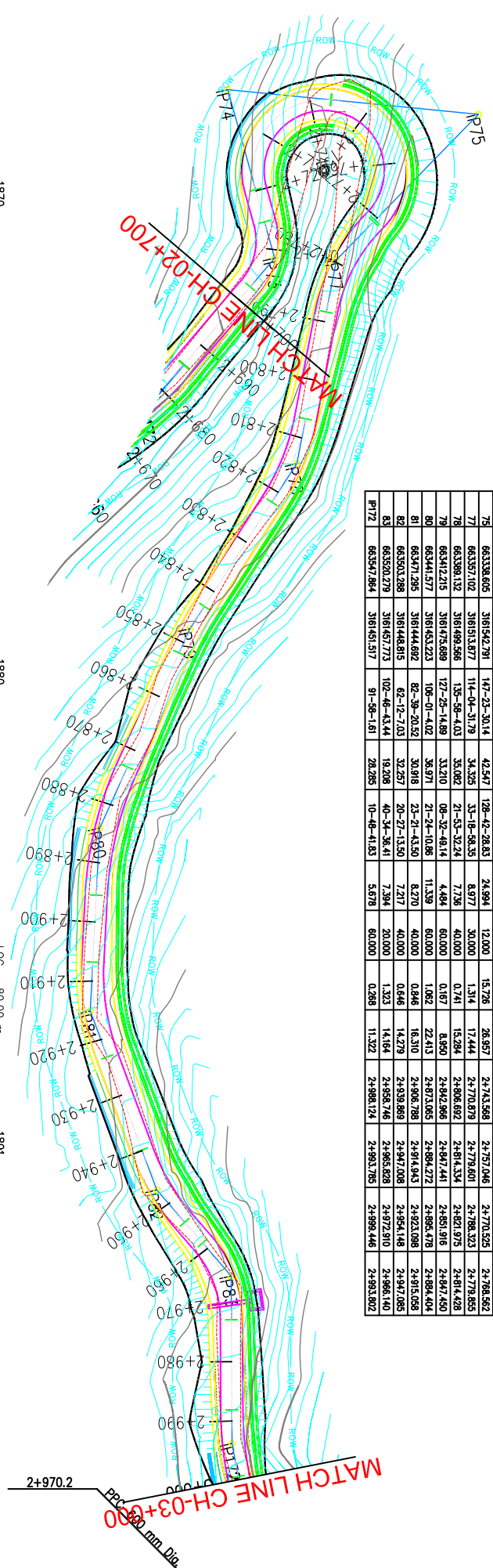
SHEET NO: _____

P No.	O-ORIMATES(m)		DPT (m)	DPT (ft)	TM, LTR.	SIMPLE CURVE DATA				CHAINAGE			
	EXISTING	NORTHING				R (m)	E (m)	LC (m)	BC	MC	EC	P	
67	66331.403	316143.004	115-28-25.81	52.253	13-40-22.87	7.193	60.000	0.430	14.318	24465.201	24412.360	24419.519	24412.394
68	66337.691	316140.282	101-28-31.90	66.281	13-59-53.91	9.822	80.000	0.601	19.545	24468.295	24470.028	24488.830	24479.107
69	66340.058	316140.523	159-32-54.51	28.945	48-04-22.61	6.842	15.000	1.489	12.847	24501.107	24507.530	24513.954	24507.554
70	66342.648	316138.267	39-08-27.04	43.911	111-23-27.47	17.588	12.000	9.282	23.330	24533.430	24545.094	24556.094	24545.098
71	66344.438	316138.380	39-04-43.94	29.256	88-28-43.48	11.881	8.000	4.884	18.740	24557.038	24566.408	24575.728	24566.422
72	66346.108	316142.671	328-01-37.88	46.608	16-28-54.11	8.819	60.000	0.618	17.720	24601.174	24608.724	24616.294	24608.722
PT1	66352.782	316149.801	341-10-54.51	38.949	15-09-16.33	7.982	80.000	0.725	18.556	24661.043	24668.346	24675.313	24668.323
PT2	66357.108	316147.283	303-27-48.21	28.689	11-43-31.30	9.352	60.000	0.725	18.556	24667.089	24676.346	24683.624	24676.421
PT3	66358.473	316150.792	287-32-35.78	32.980	55-35-44.43	6.370	12.000	1.368	11.712	24702.882	24708.738	24714.594	24708.252



DESIGN LEVEL(m)	EXISTING LEVEL(m)	CHAINAGE(Km)	HORIZONTAL ALIGNMENT		SUPER ELEVATION
			RIGHT	LEFT	
1816.131	1816.719	2+400	T	T	2+400
1817.592	1818.598	2+410	T	T	2+408.638
1819.054	1820.146	2+420	T	T	2+416.082
1820.515	1821.402	2+430	T	T	2+431.082
1821.977	1822.913	2+440	NC	NC	2+460.535
1823.438	1824.273	2+450	T	T	2+471.785
1824.834	1825.860	2+460	T	T	2+478.822
1826.098	1827.239	2+470	T	T	2+486.33
1827.230	1827.881	2+480	T	T	2+502.044
1828.230	1828.477	2+490	T	T	2+513.017
1829.098	1828.928	2+500	T	T	2+516.954
1829.833	1829.185	2+510	NC	NC	2+530.43
1830.503	1828.817	2+520	T	T	2+534.367
1831.172	1827.810	2+530	T	T	2+555.822
1831.842	1827.349	2+540	T	T	2+557.973
1832.511	1830.855	2+550	T	T	2+574.838
1833.217	1832.783	2+560	T	T	2+578.776
1834.053	1838.128	2+570	T	T	2+589.611
1835.026	1841.617	2+580	NC	NC	2+604.611
1836.135	1841.419	2+590	T	T	2+614.856
1837.381	1839.966	2+600	T	T	2+643.331
1838.763	1839.815	2+610	T	T	2+655.826
1840.245	1842.229	2+620	T	T	2+668.006
1841.733	1842.909	2+630	T	T	2+684.687
1843.220	1844.552	2+640	T	T	2+688.624
1844.707	1845.703	2+650	T	T	2+690.082
1846.075	1846.791	2+660	T	T	
1847.230	1847.911	2+670	T	T	
1848.173	1848.912	2+680	T	T	
1848.904	1849.678	2+690	T	T	
1849.542	1850.437	2+700	NC	NC	

IP No.	CO-ORDINATE(S)		DIST. (m)	DIST. ANG. (°)	THK. (m)	SIMPLE CURVE DATA									
	EASTING	NORTHING				R (m)	E (m)	LC (m)	BC	MC	EC	P			
73	66354.473	316150.732	287.32	35.78	32.880	56.55	8.43	6.370	12.000	1.988	11.712	24702.882	24708.738	24714.594	24720.252
74	66324.975	316150.486	18.41	1.32	28.526	111.08	25.54	17.506	12.000	23.277	24720.544	24721.863	24723.521	24725.750	24728.562
75	66339.665	316154.791	147.23	30.14	42.847	128.42	28.83	24.994	12.000	15.726	26.857	24733.538	24739.046	24745.525	24752.865
77	66357.102	316153.877	114.04	31.78	34.525	33.18	38.35	8.977	30.000	1.314	17.444	24750.871	24756.801	24763.323	24770.665
78	66386.132	316149.566	135.58	41.03	35.892	21.53	32.24	7.738	40.000	0.741	15.294	24806.692	24814.324	24823.975	24834.428
79	66342.215	316173.689	127.25	14.88	33.310	88.32	48.14	4.484	60.000	0.187	8.929	24822.986	24831.741	24841.518	24851.430
80	66341.517	316143.223	106.01	10.2	30.971	21.24	18.08	11.339	60.000	1.882	22.419	24833.865	24844.272	24855.478	24867.404
81	66371.285	316144.892	82.38	20.32	30.918	23.21	14.50	6.370	40.000	0.646	16.310	24866.788	24874.943	24883.088	24891.085
82	66350.288	316144.815	62.72	7.03	32.571	20.27	13.50	7.217	40.000	0.646	14.278	24939.889	24947.008	24954.188	24961.085
83	66350.279	316143.713	102.46	43.44	19.288	40.34	38.41	7.294	20.000	1.323	14.164	24988.716	24995.828	24972.910	24981.140
84	66354.884	316143.517	91.58	1.61	28.285	10.48	41.83	5.878	60.000	0.288	11.322	24988.124	24993.785	24999.446	24983.802



SUPER ELEVATION	HORIZONTAL ALIGNMENT	CHAINAGE(Km)	EXISTING LEVEL(m)	DESIGN LEVEL(m)	HORIZONTAL ALIGNMENT	
					RIGHT	LEFT
2+700	R=12.00 R=12.00 R=12.00 R=12.00 R=30.00 R=40.00	2+700	1850.437	1849.542	T	2.5
2+703.82		T	2.5			
2+713.657		T	2.5			
2+721.182		T	2.5			
2+742.584 2+744.506		T	2.5			
2+769.587 2+771.816		T	2.5			
2+787.385		T	2.5			
2+810.754		T	2.5			
2+817.913		T	2.5			
2+851.916		NC	2.5			
2+864.971	T	2.5				
2+875.471	T	2.5				
2+893.072	T	2.5				
2+907.725	T	2.5				
2+922.16 2+926.098	T	2.5				
2+936.869	T	2.5				
2+940.806	T	2.5				
2+953.211	T	2.5				
2+959.684	T	2.5				
2+971.973	T	2.5				
2+991.562 2+996.009	T	2.5				
3+000	T	2.5				

Government of Nepal
 Ministry of Federal Affairs and General Administration
 Department of Local Infrastructure (DOLI)
 Rural Connectivity Improvement Project-phase 2
 (DOL/RCIP/PPR-04/2019)

CONSULTANT:
ITECO - INCLUSIVE JV
 Sitapalia Chowk, Ring Road

ROAD NAME:
 Sisaghadhi-Jhumlabang-Ransi Road
 Rukum District

DATE: _____ REVISION: _____ SIGNATURE: _____

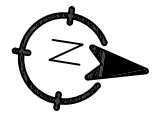
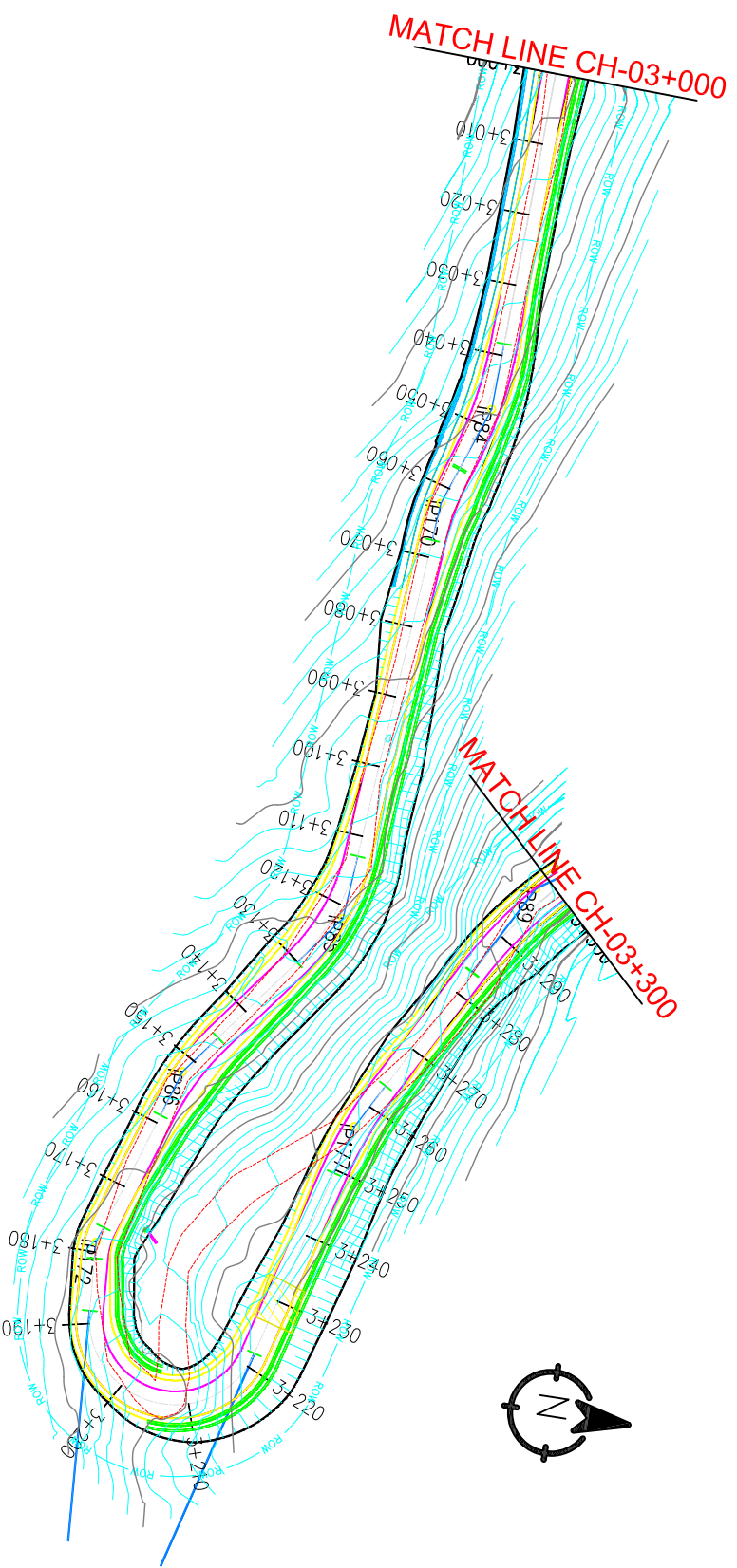
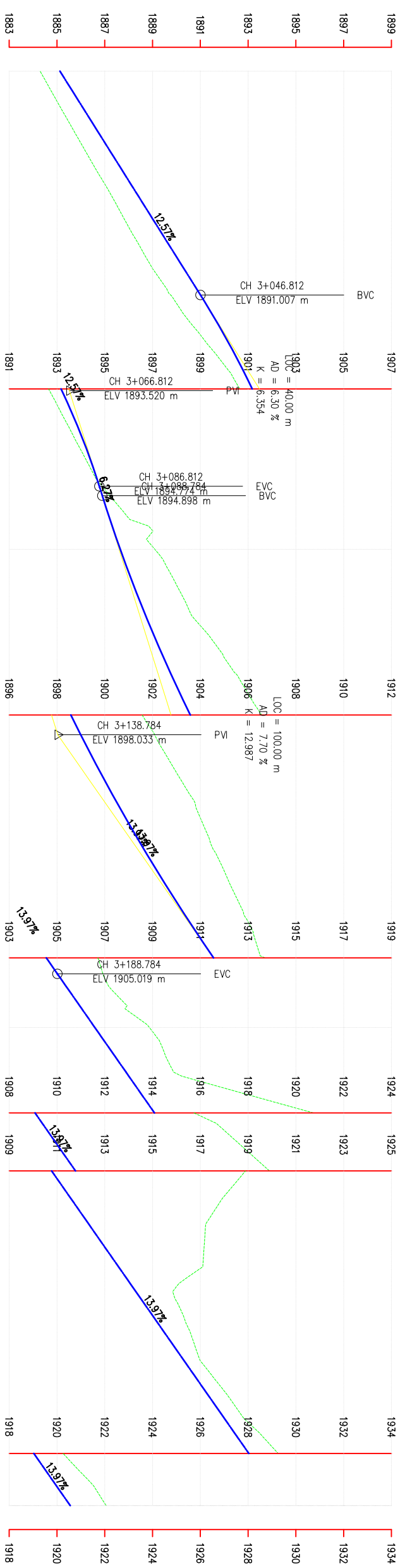
DESIGNED BY: _____ DRAWN BY: _____ CHECKED BY: _____ APPROVED BY: _____

SCALE: HORIZONTAL 1:1000 VERTICAL 1:200

Plan & Profile
 2+700-3+000

DATE: _____ DRG NO.: _____ SHEET NO.: **10**

P No.	CO-ORDINATES(m)	WBS (0+M-S)	DST. (m)	DEF. ANG. (0+M-S)	TAN. LEN. (m)	SAMPLE CURVE DATA							
						R (m)	E (m)	LC (m)	BC	MC	EC	P	
P172	663947.984	3161451.917	91-98-1.61	28.295	0-48-41.83	5.678	60.000	0.288	11.322	24988.124	24993.785	24998.446	24993.802
P170	663901.683	3161448.689	109-33-41.94	53.891	17-35-40.33	8.296	60.000	0.714	18.425	34028.333	34047.546	34067.759	34087.972
P86	663974.968	3161440.082	94-28-48.24	14.884	15-06-52.69	5.307	40.000	0.350	10.582	34057.029	34082.205	34097.381	34102.336
P86	663994.900	3161421.282	108-06-13.55	58.497	33-00-37.86	8.887	30.000	1.289	17.279	34124.845	34121.485	34130.124	34121.732
P172	663724.812	3161410.719	86-31-10.67	28.631	21-35-2.87	2.287	40.000	0.276	4.521	34148.322	34182.075	34188.827	34182.140
P87	663908.051	3161418.079	294-59-51.88	83.382	161-31-18.90	7.372	12.000	0.274	33.829	34178.353	34178.613	34180.874	34178.610
P177	663703.394	3161446.118	298-28-51.60	108.347	13-28-58.73	7.101	60.000	0.419	14.137	34188.507	34258.579	34263.648	34258.612
P88	663966.735	3161468.020	328-01-4.93	41.714	27-31-13.32	14.683	60.000	1.773	28.819	34283.587	34297.976	34312.386	34298.280



DESIGN LEVEL(m)	EXISTING LEVEL(m)	CHAINAGE(Km)	HORIZONTAL ALIGNMENT		SUPER ELEVATION
			RIGHT	LEFT	
1885.124	1884.297	3+000			
1886.381	1885.425	3+010			
1887.638	1886.570	3+020			
1888.894	1887.718	3+030			
1890.151	1888.853	3+040			
1891.400	1890.195	3+050			
1892.527	1891.781	3+060			
1893.498	1893.028	3+070			
1894.311	1894.086	3+080			
1894.975	1895.422	3+090			
1895.650	1897.097	3+100			
1896.402	1898.276	3+110			
1897.231	1899.655	3+120			
1898.136	1900.983	3+130			
1899.119	1902.208	3+140			
1900.179	1903.403	3+150			
1901.316	1904.335	3+160			
1902.530	1905.239	3+170			
1903.821	1906.212	3+180			
1905.188	1907.018	3+190			
1906.586	1908.868	3+200			
1907.983	1910.146	3+210			
1909.380	1916.651	3+220			
1910.777	1918.894	3+230			
1912.174	1917.372	3+240			
1913.571	1917.105	3+250			
1914.968	1916.268	3+260			
1916.365	1917.048	3+270			
1917.762	1918.574	3+280			
1919.159	1920.424	3+290			
1920.556	1922.059	3+300			

Government of Nepal
 Ministry of Federal Affairs and General Administration
 Department of Local Infrastructure (DOLI)
 Rural Connectivity Improvement Project-phase 2
 (DOL/RCIP/PPR-04/2019)

CONSULTANT:
ITECO - INCLUSIVE JV
 Sitapalia Chowk, Ring Road

ROAD NAME:
 Sisaghadhi-Jhumlabang-Ransi Road
 Rukum District

DATE: _____

REVISION: _____

SIGNATURE: _____

DESIGNED BY: _____

DRAWN BY: _____

CHECKED BY: _____

APPROVED BY: _____

SCALE: HORIZONTAL: 1:1000
 VERTICAL: 1:200

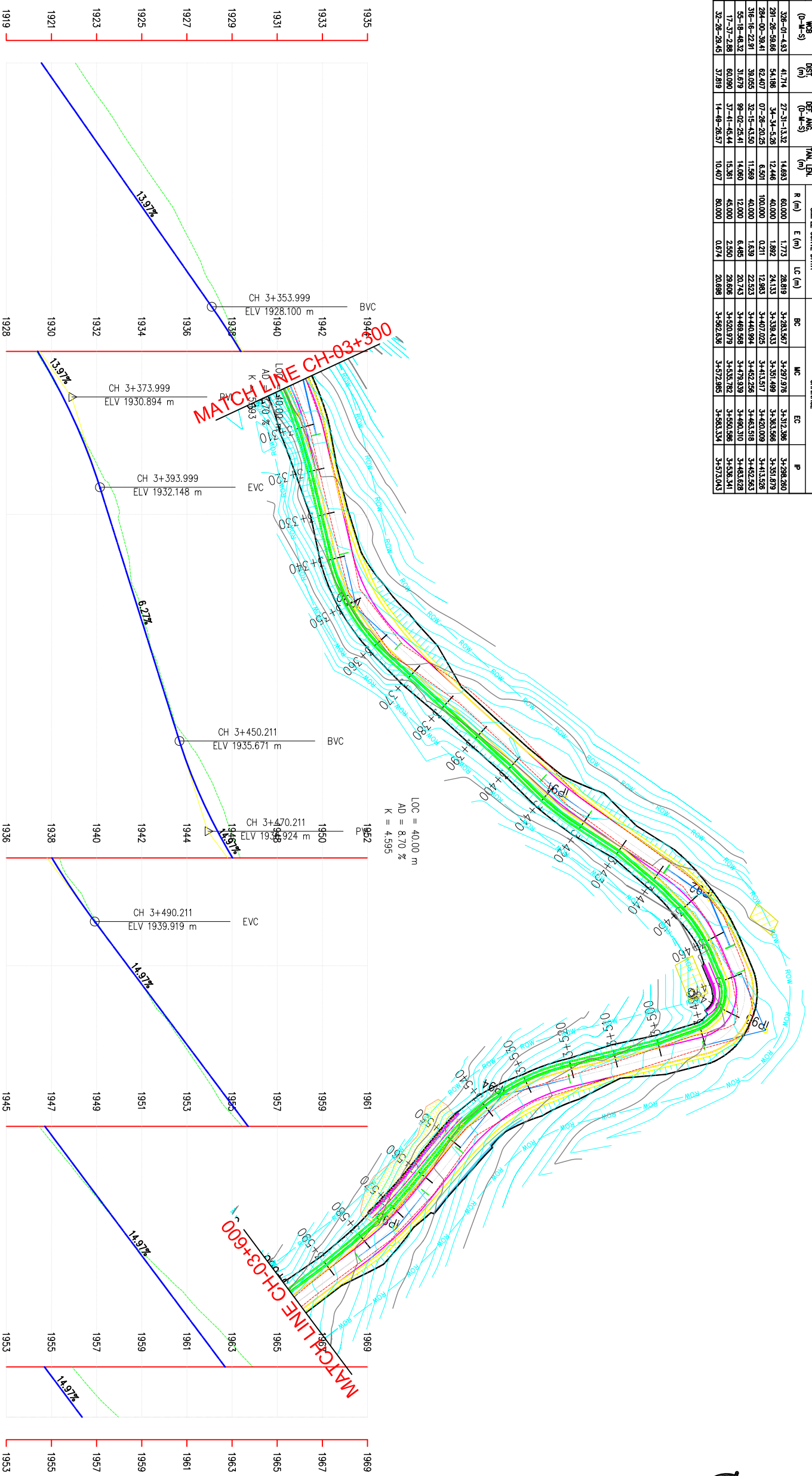
Plan & Profile
 3+000-3+300

DATE: _____

DRG NO: _____

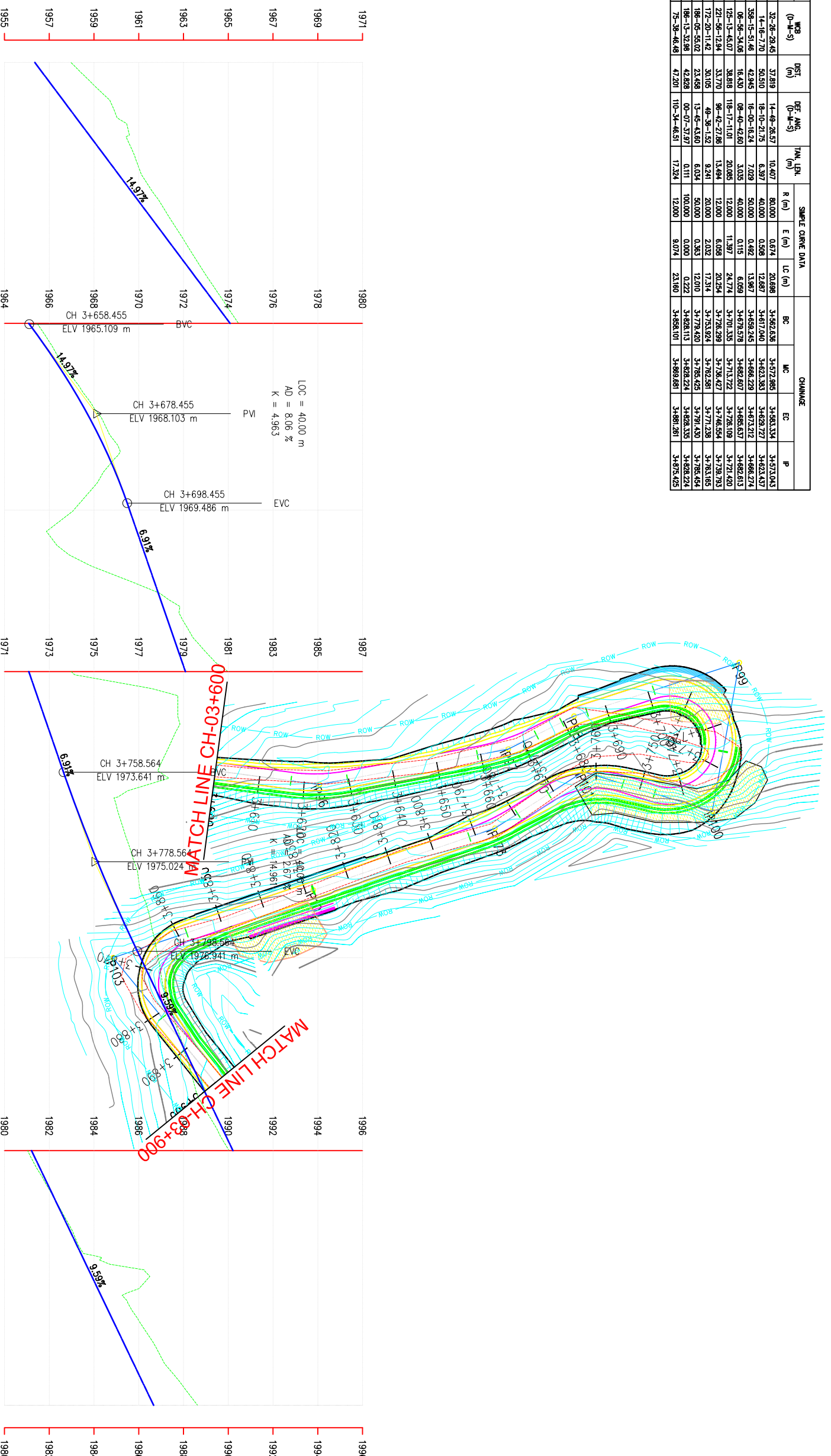
SHEET NO: _____

P No.	CD-ORIENTED (m)			SMPL CURVE DATA			CHANGING			
	EASTING	NORTHING	WBS (0-M-S)	R (m)	E (m)	LC (m)	BC	MC	EC	P
88	66366.25	316166.02	308-01-4.93	41.714	27-31-13.32	14.693	28.819	3+297.976	3+312.396	3+298.260
89	66366.448	316151.952	281-26-99.66	54.186	34-34-5.28	12.446	24.133	3+310.433	3+313.566	3+311.679
91	66378.344	316133.774	284-00-30.41	62.407	07-28-20.25	6.501	10.000	3+407.025	3+413.517	3+411.526
92	66384.071	316143.229	316-16-22.91	39.055	32-15-43.50	11.589	40.000	3+462.258	3+463.516	3+462.643
93	663916.573	316156.122	35-16-45.32	31.679	09-02-23.41	14.080	12.000	3+489.309	3+490.310	3+489.309
94	66397.944	316160.318	17-37-2.89	60.090	37-41-43.44	15.365	2.500	3+535.979	3+535.982	3+536.341
95	66397.940	316160.344	32-26-29.45	37.819	14-49-28.57	10.407	80.000	3+592.036	3+593.334	3+573.045

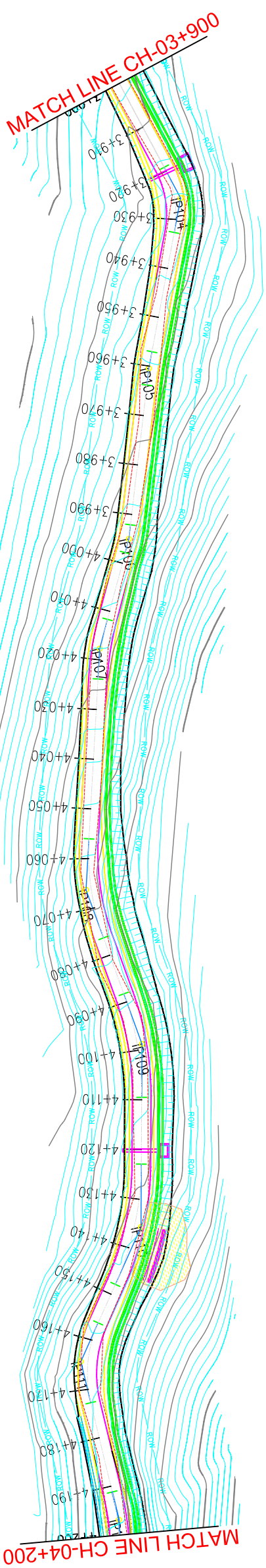


DESIGN LEVEL (m)	EXISTING LEVEL (m)	CHAINAGE (km)	HORIZONTAL ALIGNMENT		SUPER ELEVATION
			RIGHT	LEFT	
1920.556	1922.059	3+300	R=60.00	-5.5	
1921.953	1923.437	3+310			
1923.350	1924.738	3+320			
1924.747	1926.107	3+330			
1926.144	1927.205	3+340			
1927.541	1928.186	3+350	R=40.00	6.5	
1928.904	1929.079	3+360			
1930.089	1930.045	3+370			
1931.082	1931.092	3+380			
1931.882	1932.122	3+390			
1932.524	1932.994	3+400			
1933.151	1933.440	3+410			
1933.777	1933.911	3+420	R=100.00	4.5	
1934.404	1934.438	3+430			
1935.031	1935.102	3+440			
1935.658	1936.014	3+450	R=40.00	-2.5	
1936.389	1937.172	3+460			
1937.337	1937.927	3+470			
1938.504	1938.678	3+480			
1939.887	1939.942	3+490	R=12.00	-2.5	
1941.385	1941.387	3+500			
1942.882	1942.750	3+510			
1944.379	1944.199	3+520			
1945.876	1945.497	3+530	R=45.00	6	
1947.373	1947.165	3+540			
1948.871	1948.790	3+550			
1950.368	1950.368	3+560			
1951.865	1952.344	3+570	R=80.00	-2.5	
1953.362	1954.294	3+580			
1954.860	1956.101	3+590			
1956.357	1957.971	3+600			

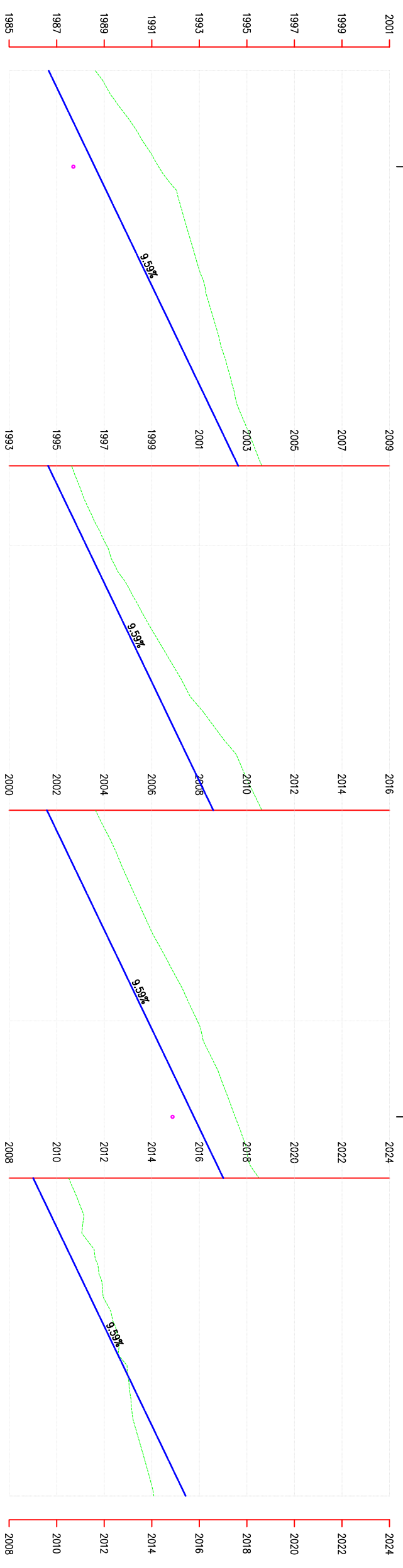
P No.	CO-ORDINATES(m)		WB3 (0-M-S)	DST1 (m)	DEF. ANG. (0-M-S)	TAN. LEN. (m)	SINGLE CURVE DATA			CHAINAGE			
	EASTING	NORTHING					R (m)	E (m)	LC (m)	BC	MC	EC	P
95	663379.430	316156.534	32-26-29.45	37.819	14-49-28.57	10.407	80.000	0.874	20.698	3+592.636	3+727.985	3+463.534	3+573.043
96	66366.526	316178.991	14-16-17.0	50.510	16-10-21.75	6.397	40.000	0.598	12.867	3+617.040	3+623.583	3+628.727	3+623.577
97	663617.110	316172.611	358-15-51.46	42.945	16-00-16.24	7.029	50.000	0.492	13.967	3+658.245	3+662.229	3+673.212	3+668.274
98	663616.613	316173.034	06-56-34.06	16.430	06-40-42.60	3.035	40.000	0.115	6.059	3+679.578	3+682.607	3+686.637	3+682.613
99	663621.305	316173.567	125-13-43.07	38.818	118-17-11.01	20.085	12.000	11.397	24.774	3+701.335	3+713.722	3+726.109	3+721.420
100	663648.980	316176.087	221-56-12.94	33.770	96-42-27.86	13.484	12.000	6.058	20.254	3+728.299	3+736.427	3+746.554	3+739.793
101	663628.770	316173.692	172-20-11.42	30.105	49-36-15.2	9.241	20.000	2.032	17.314	3+753.924	3+762.581	3+771.238	3+763.165
102	663631.898	316170.444	186-05-55.02	23.458	13-45-43.60	6.034	50.000	0.363	12.010	3+778.420	3+782.425	3+791.430	3+785.454
103	663622.229	3161620.935	75-38-46.48	47.201	110-34-46.51	17.324	12.000	9.074	23.160	3+828.113	3+828.224	3+828.335	3+828.224



DESIGN LEVEL(m)	EXISTING LEVEL(m)	CHAINAGE(Km)	HORIZONTAL ALIGNMENT		SUPER ELEVATION
			RIGHT	LEFT	
1956.357	1957.971	3+600	NC	NC	3+600
1957.854	1959.848	3+610	T	T	3+604.227
1959.351	1960.746	3+620	T	T	3+621.102
1960.849	1961.783	3+630	T	T	3+625.664
1962.346	1963.057	3+640	NC	NC	3+642.539
1963.843	1964.341	3+650	T	T	3+653.058
1965.338	1965.692	3+660	T	T	3+660.933
1966.703	1966.980	3+670	T	T	3+671.524
1967.867	1968.395	3+680	NC	NC	3+685.637
1968.829	1968.674	3+690	T	T	3+698.335
1969.593	1967.093	3+700	T	T	3+702.272
1970.284	1966.888	3+710	-2.5	-2.5	3+725.171
1970.975	1971.335	3+720	T	T	3+727.237
1971.667	1972.697	3+730	-2.5	-2.5	3+745.616
1972.358	1977.673	3+740	T	T	3+754.861
1973.049	1978.610	3+750	T	T	3+754.861
1973.741	1978.281	3+760	2.5	2.5	3+770.3
1974.476	1976.237	3+770	T	T	3+770.3
1975.277	1976.897	3+780	-2.5	-2.5	3+780.357
1976.145	1977.450	3+790	T	T	3+790.492
1977.079	1977.866	3+800	T	T	3+794.992
1978.038	1978.345	3+810	NC	NC	3+844.664
1978.996	1978.988	3+820	NC	NC	3+844.664
1979.955	1979.569	3+830	NC	NC	3+844.664
1980.914	1980.662	3+840	T	T	3+844.664
1981.872	1981.794	3+850	T	T	3+844.664
1982.831	1982.923	3+860	T	T	3+862.476
1983.790	1986.268	3+870	7	7	3+862.476
1984.748	1985.868	3+880	T	T	3+876.886
1985.707	1987.081	3+890	T	T	3+876.886
1986.666	1988.629	3+900	NC	NC	3+894.699
		3+900	NC	NC	3+900



P No.	CO-ORDINATES(m)		WBS (0-M-S)	DIST. (m)	DEF. ANG. (0-M-S)	TAN. LEN. (m)	SAMPLE CURVE DATA				CHAMBER				
	EASTING	NORTHING					R (m)	E (m)	LC (m)	BC	MC	EC	P		
103	663622.229	3161620.938	75-36-46.48	47.201	110-34-46.51	17.324	12.000	8.074	23.100	3+893.071	3+899.891	3+891.261	3+875.625		
104	663682.218	3161636.364	114-21-59.31	62.231	36-43-12.84	7.027	20.000	1.199	13.516	3+819.141	3+825.899	3+832.657	3+826.188		
105	663714.228	3161622.002	118-29-13.25	34.809	03-52-46.06	3.397	100.000	0.057	6.771	3+957.022	3+960.437	3+963.823	3+960.438		
106	663746.574	3161608.916	118-29-20.12	34.532	08-08-6.87	2.850	40.000	0.101	5.691	3+992.118	3+997.809	3+994.980			
107	663786.623	3161598.969	107-01-43.36	22.843	11-36-36.76	6.100	60.000	0.309	12.198	4+017.702	4+023.960	4+017.802			
108	663813.048	3161594.749	83-46-36.65	48.584	23-13-7.71	10.272	50.000	1.044	20.282	4+058.042	4+066.173	4+078.304	4+066.314		
109	663845.623	3161598.303	104-05-23.79	32.987	20-16-48.13	10.731	60.000	0.862	21.237	4+088.268	4+098.886	4+109.305	4+098.999		
110	663861.512	3161579.345	127-53-13.34	36.797	23-47-49.53	12.642	60.000	1.317	24.920	4+122.828	4+135.389	4+147.248	4+135.571		
111	663904.902	3161581.145	90-14-56.80	29.637	37-28-16.54	8.520	25.000	1.412	16.423	4+156.323	4+172.216	4+184.843			
P173	663937.508	3161581.003	101-09-27.82	32.704	10-53-31.02	5.720	60.000	0.272	11.406	4+191.210	4+198.913	4+202.516	4+198.930		



SUPER ELEVATION	HORIZONTAL ALIGNMENT		CHAINAGE(Km)	EXISTING LEVEL(m)	DESIGN LEVEL(m)
	RIGHT	LEFT			
3+900	NC	NC	3+900	1988.629	1986.666
3+905.703	T	T	3+910	1990.010	1987.624
3+923.516	-7	T	3+920	1991.266	1988.583
3+928.282	T	T	3+930	1992.301	1989.542
3+946.094	T	T	3+940	1992.882	1990.500
			3+950	1993.468	1991.459
			3+960	1994.049	1992.418
			3+970	1994.572	1993.376
			3+980	1995.374	1994.335
			3+990	1996.145	1995.294
4+000.139	T	NC	4+000	1997.109	1996.252
4+015.139	5.5	T	4+010	1998.149	1997.211
4+020.423	T	NC	4+020	1999.281	1998.170
4+035.423	T	NC	4+030	2000.436	1999.128
4+047.51	NC	T	4+040	2001.911	2000.087
4+058.667	T	T	4+050	2003.086	2001.046
4+073.679	6	T	4+060	2004.064	2002.004
4+089.205	T	T	4+070	2004.970	2002.963
4+108.568	-2.5	T	4+080	2005.883	2003.921
4+124.241	T	T	4+090	2006.940	2004.880
4+146.536	-3.5	T	4+100	2007.919	2005.839
4+157.261	T	T	4+110	2008.739	2006.797
4+171.808	2.5	T	4+120	2009.494	2007.756
4+194.647	-5.57	T	4+130	2010.105	2008.715
4+200	8	T	4+140	2011.076	2009.673
			4+150	2011.622	2010.632
			4+160	2012.155	2011.591
			4+170	2012.588	2012.549
			4+180	2013.127	2013.508
			4+190	2013.566	2014.467
			4+200	2014.088	2015.425

Government of Nepal
 Ministry of Federal Affairs and General Administration
 Department of Local Infrastructure (DOL)

CONSULTANT:
ITECO - INCLUSIVE JV
 Sitapalia Chowk, Ring Road

ROAD NAME:
 Sisaghad-Jhumabang-Ransi Road

Project: Rural Connectivity Improvement Project-phase 2 (DOL/RCIP/PPR-04/2019)

DATE: _____

DESIGNED BY: _____

CHECKED BY: _____

APPROVED BY: _____

SCALE: HORIZONTAL: 1:1000, VERTICAL: 1:200

Plan & Profile

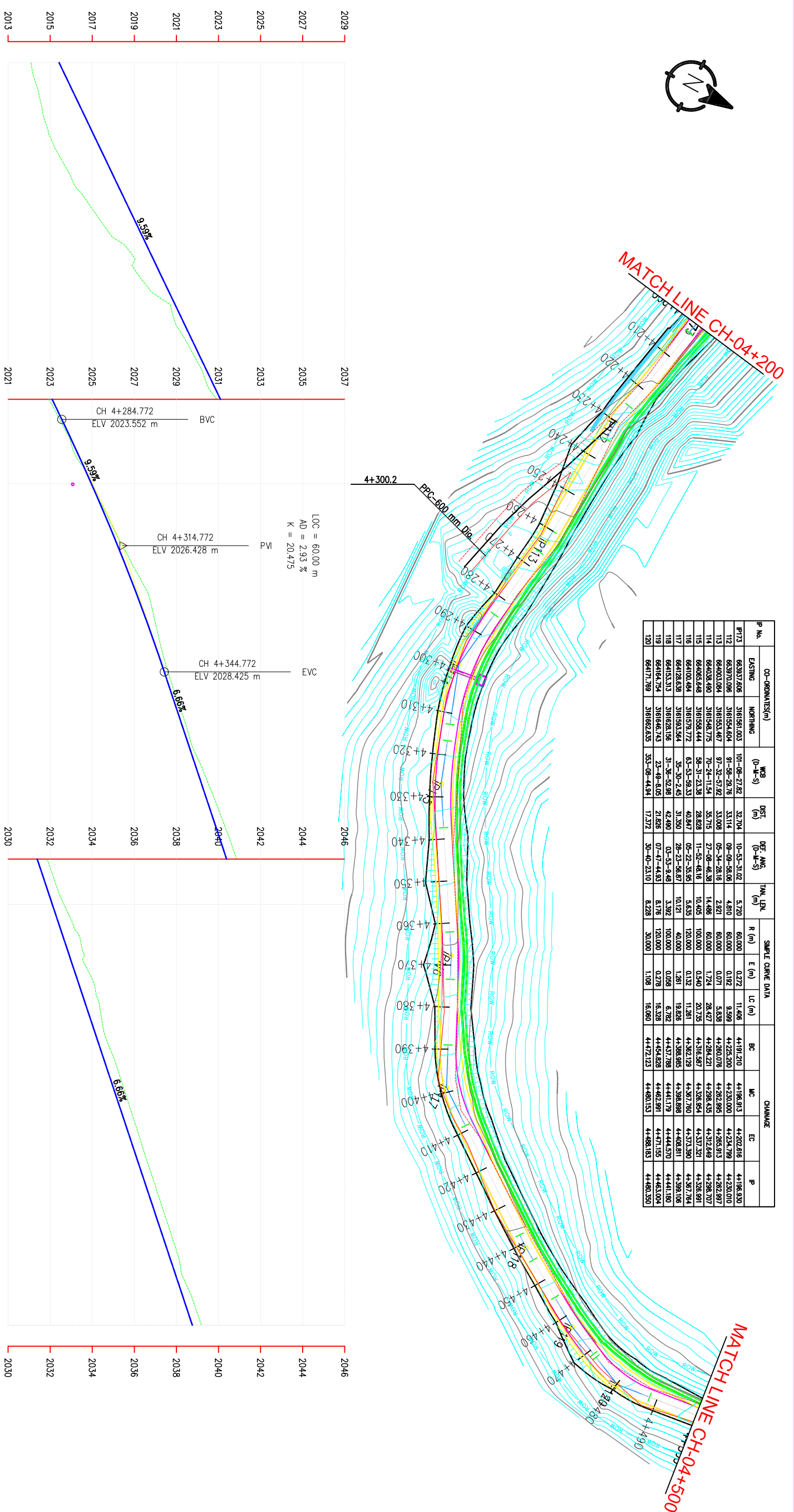
3+900-4+200

DRG NO: _____

SHEET NO: 14



IP No.	CO-ORDINATES (m)			WCB (0-4-S)	DST (0-4-S)	DEF. ANG. (0-4-S)	TAN. LEN.	SAMPLE CURVE DATA				CHAINAGE			
	EASTING	NORTHING	(0-4-S)					R (m)	E (m)	LC (m)	BC	MC	EC	P	
P773	66397.668	316191.003	101-08-27.82	32.704	10-53-31.02	5.720	60.000	0.272	11.406	44191.210	44196.913	44202.616	44196.500		
P774	66397.096	316194.604	91-09-29.76	33.114	09-09-58.06	4.810	60.000	0.192	9.399	44225.200	44230.000	44234.799	44230.010		
P775	66400.094	316153.467	97-32-57.92	33.008	05-34-28.16	2.921	60.000	0.071	5.838	44280.076	44282.995	44285.977	44282.997		
P776	66403.490	316194.775	70-24-11.54	33.715	27-08-46.38	14.486	60.000	1.724	28.427	44284.221	44288.435	44312.849	44288.407		
P777	66405.646	316159.444	96-31-23.38	28.828	11-52-46.16	10.405	100.000	0.540	20.735	44316.587	44326.954	44337.321	44326.991		
P778	66410.494	316179.772	63-53-59.33	40.847	05-22-35.95	5.635	120.000	0.132	11.261	44361.129	44367.760	44373.390	44367.794		
P779	664128.638	316193.564	35-30-2.46	31.390	28-23-56.87	10.217	40.000	1.261	19.826	44398.985	44398.898	44402.811	44398.106		
P780	664153.313	316192.156	31-38-02.98	42.480	03-53-9.48	3.392	100.000	0.098	6.782	44437.799	44441.179	44444.570	44441.190		
P781	664164.754	316166.743	23-49-01.05	21.826	07-47-44.53	8.176	120.000	0.279	16.328	44454.828	44452.991	44471.155	44453.004		
P782	664171.789	316162.635	353-08-44.94	17.372	30-40-23.10	8.228	30.000	1.108	16.060	44472.123	44480.153	44488.183	44480.350		



DESIGN LEVEL (m)	EXISTING LEVEL (m)	CHAINAGE (km)	HORIZONTAL ALIGNMENT		SUPER ELEVATION
			RIGHT	LEFT	
2015.425	2014.088	4+200	IP-P773 R=60.00		
2016.384	2014.580	4+210			
2017.343	2015.201	4+220			
2018.301	2016.277	4+230	IP-112 R=60.00		
2019.260	2017.742	4+240			
2020.219	2019.131	4+250			
2021.177	2020.835	4+260	IP-113 R=60.00		
2022.136	2021.881	4+270			
2023.095	2022.917	4+280			
2024.047	2023.968	4+290			
2024.955	2024.954	4+300	IP-114 R=60.00		
2025.815	2025.945	4+310			
2026.626	2026.986	4+320			
2027.389	2027.858	4+330	IP-115 R=100.00		
2028.102	2028.329	4+340			
2028.773	2028.946	4+350			
2029.439	2029.605	4+360			
2030.104	2030.413	4+370	IP-116 R=120.00		
2030.770	2031.194	4+380			
2031.436	2031.912	4+390			
2032.101	2032.652	4+400	IP-117 R=40.00		
2032.767	2033.494	4+410			
2033.432	2034.138	4+420			
2034.098	2034.540	4+430			
2034.764	2035.259	4+440	IP-118 R=100.00		
2035.429	2035.900	4+450			
2036.095	2036.538	4+460			
2036.761	2037.204	4+470	IP-119 R=120.00		
2037.426	2037.848	4+480	IP-120 R=50.00		
2038.092	2038.441	4+490			
2038.757	2039.192	4+500			

Government of Nepal
Ministry of Federal Affairs and General Administration
Department of Local Infrastructure (DOLI)
Rural Connectivity Improvement Project-phase 2
(DOL/RCIP/PPR-04/2019)

CONSULTANT:
ITECO - INCLUSIVE JV
Sitapalia Chowk, Ring Road

ROAD NAME:
Sisaghad-Jhumlabang-Ransi Road
Rukum District

DATE: _____

REVISION: _____

SIGNATURE: _____

DESIGNED BY: _____

DRAWN BY: _____

CHECKED BY: _____

APPROVED BY: _____

SCALE: HORIZONTAL 1:1000
VERTICAL 1:200

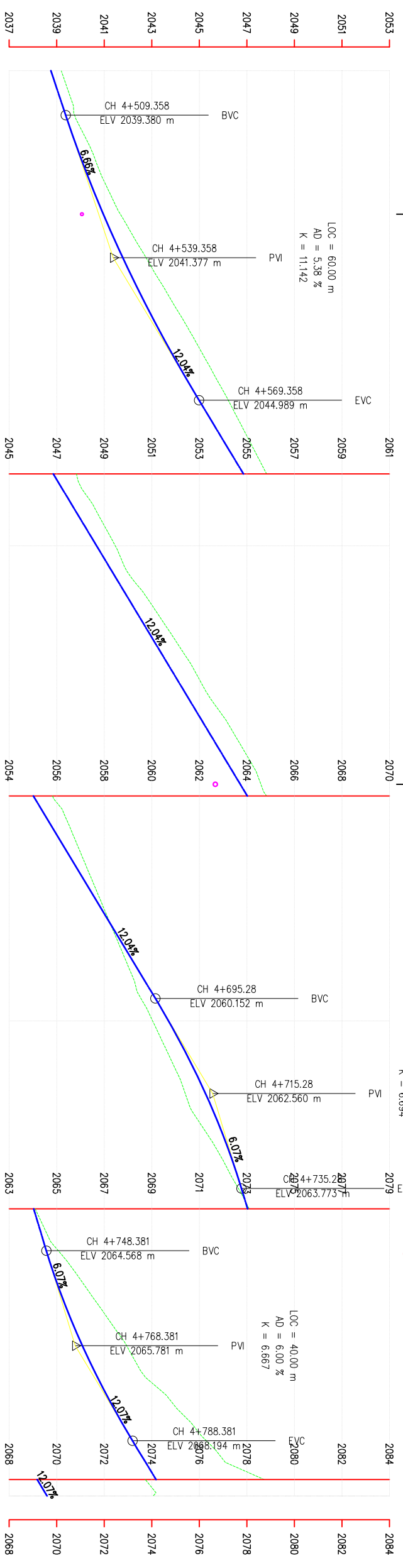
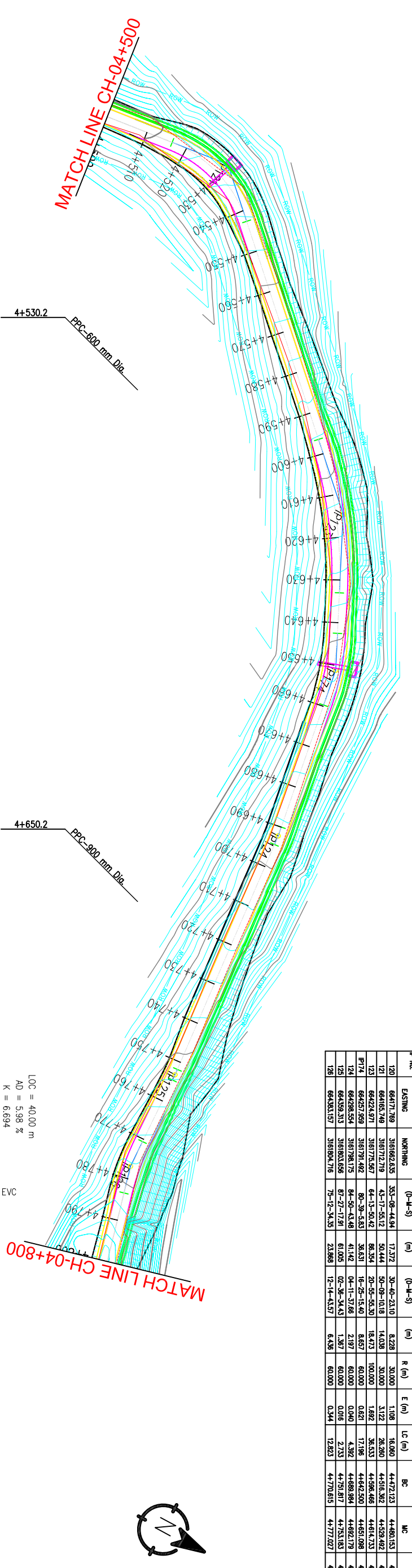
Plan & Profile
4+200-4+500

DATE: _____

DRG NO: _____

SHEET NO: 15

P No.	CC-ORDINATES(m)		WBS (0+4-S)	DST (m)	DEF. ANG (0+4-S)	T/M LEN (m)	SMPLE CURVE DATA				CHAINAGE			
	EASTING	NORTHING					R (m)	E (m)	LC (m)	BC	MC	EC	P	
120	664171.789	3161662.635	35-08-44.94	17.372	30-40-23.10	6.228	30.000	1.108	16.060	4472.123	4480.151	4488.183	4480.350	
121	664165.748	316172.719	43-17-55.12	50.444	50-09-10.18	14.028	30.000	3.122	28.280	4456.382	4452.822	4454.222	44530.400	
123	66424.971	316175.967	64-13-50.42	86.554	20-55-55.30	38.533	100.000	1.892	38.533	4496.466	4464.733	4463.299	4461.438	
P174	664257.959	316179.492	80-38-5.83	36.631	16-25-15.40	8.657	60.000	0.821	17.196	44642.500	44651.098	44682.179	44681.577	
124	664298.554	316198.175	84-50-43.48	41.142	04-11-37.66	2.197	60.000	0.040	4.392	44688.984	44694.375	44689.884	44681.950	
125	664359.313	316190.658	87-27-17.91	61.005	02-38-34.43	1.367	60.000	0.016	2.733	44751.817	44753.183	44753.183	44753.183	
126	664331.157	316190.716	75-12-34.35	23.888	12-14-43.57	6.436	60.000	0.344	12.823	44770.615	44777.027	44783.438	44777.051	



DESIGN LEVEL(m)	EXISTING LEVEL(m)	CHAINAGE(Km)	HORIZONTAL ALIGNMENT		SUPER ELEVATION
			RIGHT	LEFT	
2038.757	2039.192	4+500	NC	NC	4+500
2039.423	2039.799	4+510	T	T	4+503.549
2040.139	2040.717	4+520	-6.5	-6.5	4+520.424
2040.945	2041.655	4+530	T	T	4+538.559
2041.841	2042.834	4+540	T	T	4+555.434
2042.827	2044.023	4+550	NC	NC	4+555.434
2043.902	2045.181	4+560	T	T	4+590.278
2045.067	2046.286	4+570	T	T	4+598.153
2046.271	2047.325	4+580	-4.5	-4.5	4+598.153
2047.475	2048.341	4+590	T	T	4+631.312
2048.679	2049.466	4+600	T	T	4+643.438
2049.883	2050.670	4+610	-2.5	-2.5	4+658.759
2051.087	2052.006	4+620	T	T	4+662.696
2052.291	2053.207	4+630	NC	NC	4+662.696
2053.495	2054.512	4+640	T	T	4+662.696
2054.700	2055.576	4+650	T	T	4+662.696
2055.904	2056.620	4+660	NC	NC	4+662.696
2057.108	2057.458	4+670	T	T	4+662.696
2058.312	2058.297	4+680	T	T	4+662.696
2059.516	2059.136	4+690	T	T	4+662.696
2060.703	2060.037	4+700	NC	NC	4+662.696
2061.762	2060.981	4+710	T	T	4+662.696
2062.672	2061.825	4+720	T	T	4+662.696
2063.432	2063.068	4+730	T	T	4+662.696
2064.059	2064.140	4+740	T	T	4+662.696
2064.668	2065.342	4+750	T	T	4+662.696
2065.374	2066.783	4+760	5.5	5.5	4+662.696
2066.230	2068.123	4+770	T	T	4+662.696
2067.235	2069.802	4+780	T	T	4+662.696
2068.389	2071.622	4+790	T	T	4+662.696
2069.596	2074.061	4+800	NC	NC	4+662.696

Government of Nepal
 Ministry of Federal Affairs and General Administration
 Department of Local Infrastructure (DOLI)
 Rural Connectivity Improvement Project-phase 2
 (DOL/RCIP/PR-04/2019)

CONSULTANT:
ITECO - INCLUSIVE JV
 Sitapalia Chowk, Ring Road

ROAD NAME:
 Sisaghad-Jhumlabang-Ransi Road
 Rukum District

DATE: _____

REVISION: _____

SIGNATURE: _____

DESIGNED BY: _____

CHECKED BY: _____

APPROVED BY: _____

SCALE: HORIZONTAL 1:1000
 VERTICAL 1:200

Plan & Profile
 4+500-4+800

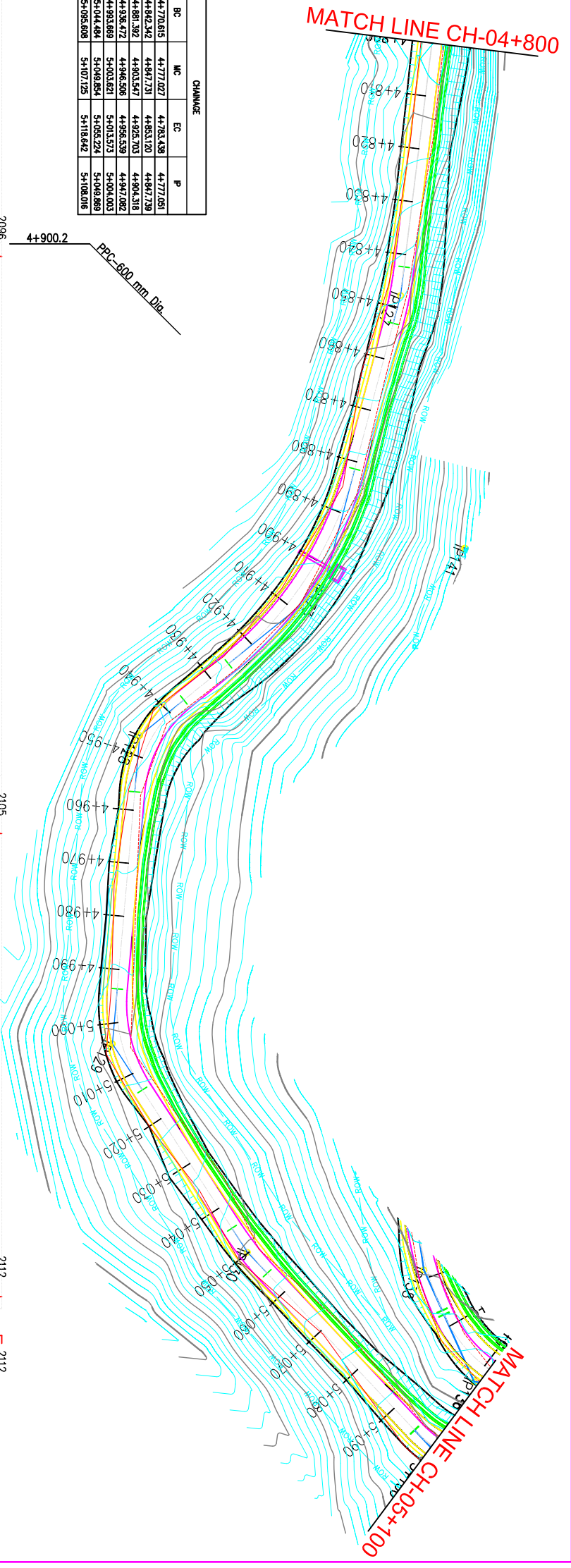
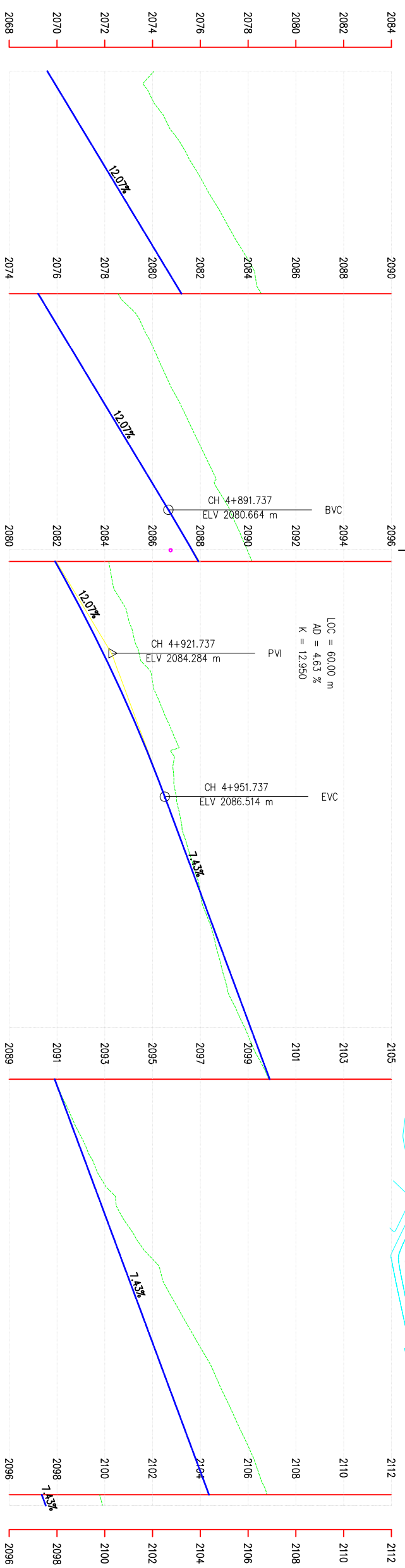
DATE: _____

DRG NO: _____

SHEET NO: **16**



P No.	CO-ORDINATES(m)		WBS (0-4-5)	DIST (m)	DE ANGLE (0-4-5)	TAN LEN (m)	SAMPLE CURVE DATA						
	EXISTING	WORKING					R (m)	E (m)	LC (m)	BC	WC	EC	
126	664363.157	3161824.716	75-12-34.35	23.869	12-14-43.57	6.436	60.000	0.344	12.823	4+770.615	4+777.027	4+783.439	4+777.021
127	664461.591	3161824.714	82-55-42.77	70.737	07-43-8.43	5.397	60.000	0.182	10.778	4+842.342	4+847.731	4+853.120	4+847.739
128	664507.715	3161824.741	119-11-50.85	56.595	39-18-8.18	22.926	70.000	3.659	44.311	4+881.392	4+883.547	4+925.703	4+904.318
129	664546.391	3161824.129	73-12-24.11	44.505	45-59-28.94	10.699	25.000	2.199	20.067	4+938.472	4+946.596	4+956.539	4+947.082
130	664601.987	3161824.907	35-11-32.86	58.073	38-00-51.45	5.334	30.000	1.730	19.804	4+993.689	4+993.689	5+015.573	5+004.003
131	664628.861	3161824.014	24-56-11.48	48.630	10-15-21.17	5.384	60.000	0.241	10.740	5+044.484	5+048.854	5+055.224	5+048.859
131	664653.399	3161915.766	332-06-47.09	58.176	52-47-24.39	12.407	25.000	2.810	23.034	5+095.698	5+107.126	5+118.642	5+108.016



DESIGN LEVEL(m)	EXISTING LEVEL(m)	CHAINAGE(Km)	HORIZONTAL ALIGNMENT		SUPER ELEVATION
			RIGHT	LEFT	
2069.596	2074.061	4+800			
2070.802	2074.529	4+810			
2072.009	2075.734	4+820			
2073.215	2076.903	4+830			
2074.422	2078.066	4+840			
2075.628	2079.169	4+850			
2076.835	2080.225	4+860			
2078.042	2081.201	4+870			
2079.248	2082.155	4+880			
2080.455	2083.041	4+890			
2081.635	2083.952	4+900			
2082.739	2084.595	4+910			
2083.766	2085.316	4+920			
2084.716	2086.123	4+930			
2085.588	2086.983	4+940			
2086.383	2086.926	4+950			
2087.128	2087.329	4+960			
2087.871	2087.944	4+970			
2088.614	2088.507	4+980			
2089.357	2089.033	4+990			
2090.101	2089.856	5+000			
2090.844	2090.799	5+010			
2091.587	2091.724	5+020			
2092.330	2092.668	5+030			
2093.074	2093.776	5+040			
2093.817	2095.270	5+050			
2094.560	2096.209	5+060			
2095.303	2097.367	5+070			
2096.047	2098.299	5+080			
2096.790	2099.226	5+090			
2097.533	2099.911	5+100			

Government of Nepal
 Ministry of Federal Affairs and General Administration
 Department of Local Infrastructure (DOL)

CONSULTANT:
ITECO - INCLUSIVE JV
 Sitapalia Chowk, Ring Road

ROAD NAME:
 Sisaghadhi-Jhumlabang-Ransi Road

Rukum District

DATE: _____

REVISION: _____

SIGNATURE: _____

DESIGNED BY: _____

DRAWN BY: _____

CHECKED BY: _____

APPROVED BY: _____

SCALE: HORIZONTAL: 1:1000, VERTICAL: 1:200

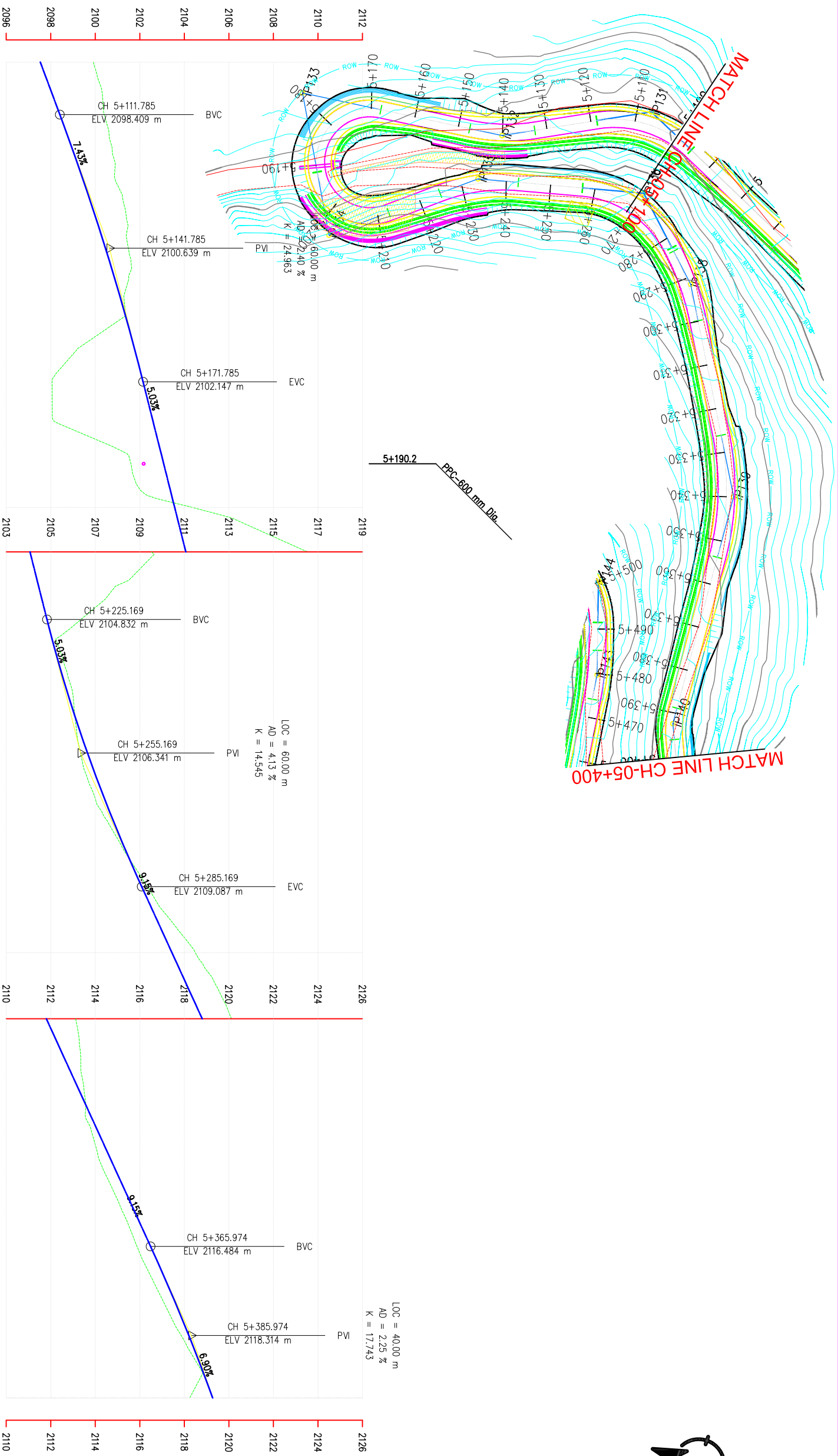
Plan & Profile

4+800-5+100

DATE: _____

DRG NO: _____

SHEET NO: **17**



SUPER ELEVATION	HORIZONTAL ALIGNMENT		CHAINAGE(Km)	EXISTING LEVEL(m)	DESIGN LEVEL(m)
	LEFT	RIGHT			
5+100		IP-131 R=25.00	5+100	2099.911	2097.533
5+115.142	7	T	5+110	2100.359	2098.276
5+133.663		T	5+120	2100.766	2099.006
5+146.505		T	5+130	2101.217	2099.696
5+150.443		T	5+140	2101.423	2100.347
5+164.827		NC	5+150	2101.429	2100.957
5+168.765		T	5+160	2100.478	2101.527
5+190.472		T	5+170	2098.227	2102.057
5+192.487		T	5+180	2098.074	2102.560
5+211.585		T	5+190	2101.591	2103.063
5+227.684		T	5+200	2104.361	2103.566
5+239.895		T	5+210	2109.535	2104.069
5+258.134		T	5+220	2107.546	2104.572
5+281.461		T	5+230	2105.257	2105.083
5+284.186		T	5+240	2105.903	2105.653
5+298.921		T	5+250	2106.155	2106.293
5+302.859		T	5+260	2106.591	2107.001
5+314.549		NC	5+270	2107.480	2107.777
5+329.549		T	5+280	2108.670	2108.623
5+350.331		T	5+290	2109.939	2109.529
5+365.331		T	5+300	2111.495	2110.444
5+370		NC	5+310	2112.688	2111.360
5+380		T	5+320	2113.282	2112.275
5+390		T	5+330	2113.480	2113.191
5+400		T	5+340	2113.823	2114.106
		T	5+350	2114.480	2115.021
		T	5+360	2115.397	2115.937
		T	5+370	2116.228	2116.848
		T	5+380	2117.221	2117.712
		NC	5+390	2118.308	2118.520
		T	5+400	2118.246	2119.272

Government of Nepal
 Ministry of Federal Affairs and General Administration
 Department of Local Infrastructure (DOLI)
 Rural Connectivity Improvement Project-phase 2
 (DOL/RCIP/PPR-04/2019)

CONSULTANT:
ITECO - INCLUSIVE JV
 Sitapalia Chowk, Ring Road

ROAD NAME:
 Sisaghadhi-Jhumlabang-Ransi Road
 Rukum District

DATE: _____

REVISION: _____

SIGNATURE: _____

DESIGNED BY: _____

DRAWN BY: _____

CHECKED BY: _____

APPROVED BY: _____

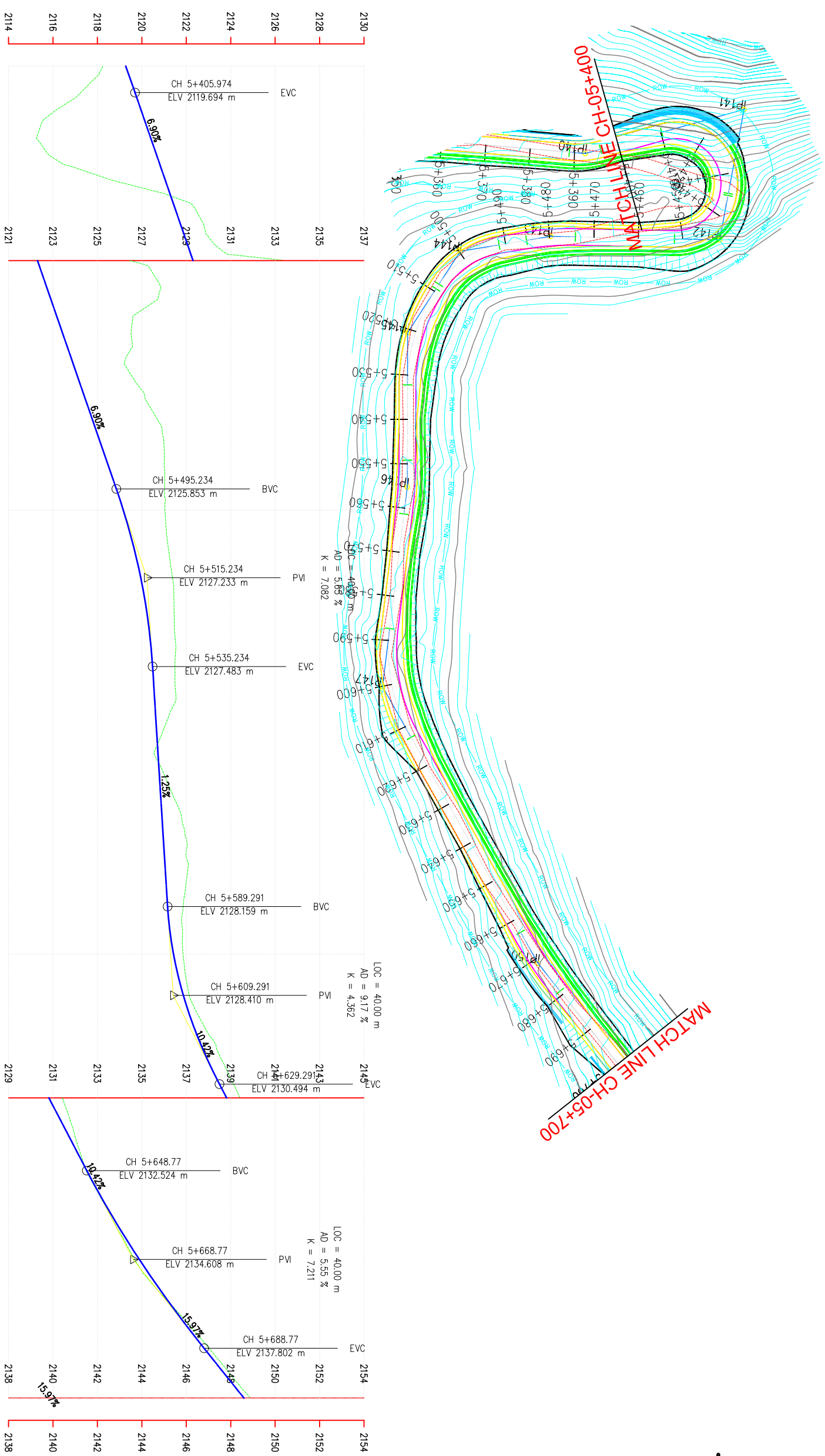
SCALE: HORIZONTAL: 1:1000
 VERTICAL: 1:200

Plan & Profile
 5+100-5+400

DATE: _____

DRG NO: _____

SHEET NO: _____



SUPER ELEVATION	HORIZONTAL ALIGNMENT		CHAINAGE(Km)	EXISTING LEVEL(m)	DESIGN LEVEL(m)
	LEFT	RIGHT			
5+400	NC		5+400	2118.246	2119.272
5+407.214	T		5+410	2116.109	2119.972
5+411.152			5+420	2115.802	2120.662
5+433.596			5+430	2121.704	2121.352
5+435.929			5+440	2123.240	2122.042
5+450.928			5+450	2127.860	2122.732
5+454.865			5+460	2126.518	2123.422
5+471.17			5+470	2126.574	2124.112
5+475.107			5+480	2127.752	2124.802
5+484.266			5+490	2128.003	2125.492
5+492.403			5+500	2128.040	2126.166
5+507.183			5+510	2128.231	2126.718
5+510.268			5+520	2128.443	2127.129
5+531.295			5+530	2128.520	2127.398
5+551.992			5+540	2128.501	2127.543
5+558.507			5+550	2127.935	2127.668
5+558.507			5+560	2128.044	2127.793
5+591.394			5+570	2128.813	2127.918
5+591.394			5+580	2129.089	2128.043
5+608.67			5+590	2128.843	2128.169
5+608.67			5+600	2128.855	2128.425
5+625.545			5+610	2129.170	2128.910
5+625.545			5+620	2130.284	2129.625
5+652.778			5+630	2131.203	2130.568
5+652.778			5+640	2131.941	2131.610
5+665.903			5+650	2132.615	2132.653
5+665.903			5+660	2133.696	2133.782
5+676.239			5+670	2134.828	2135.049
5+676.239			5+680	2136.504	2136.455
5+689.364			5+690	2138.226	2137.998
5+700			5+700	2139.892	2139.595

Government of Nepal
 Ministry of Federal Affairs and General Administration
 Department of Local Infrastructure (DOLI)
 Rural Connectivity Improvement Project-phase 2
 (DOL/RCIP/PPR-04/2019)

CONSULTANT:
ITECO - INCLUSIVE JV
 Sitapalia Chowk, Ring Road

ROAD NAME:
 Sisaghad-Jhumlabang-Ransi Road

Rukum District

DATE: _____

REVISION: _____

SIGNATURE: _____

DESIGNED BY: _____

DRAWN BY: _____

CHECKED BY: _____

APPROVED BY: _____

SCALE: HORIZONTAL: 1:1000
 VERTICAL: 1:200

Plan & Profile

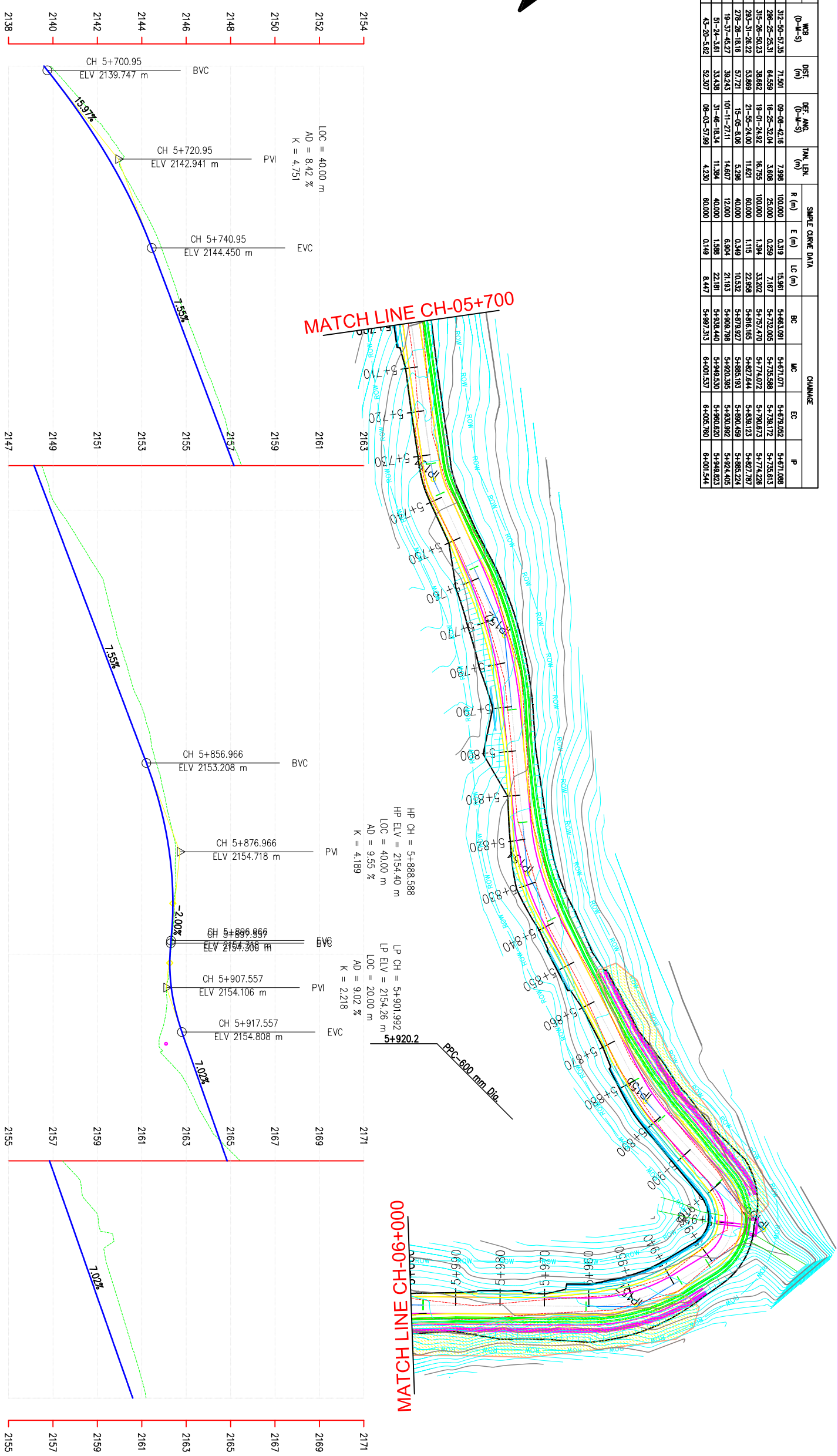
5+400-5+700

DATE: _____

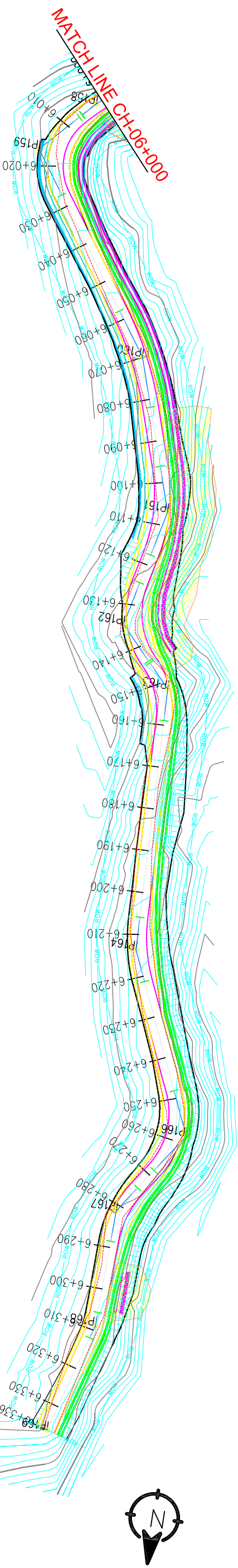
DRG NO: _____

SHEET NO: _____

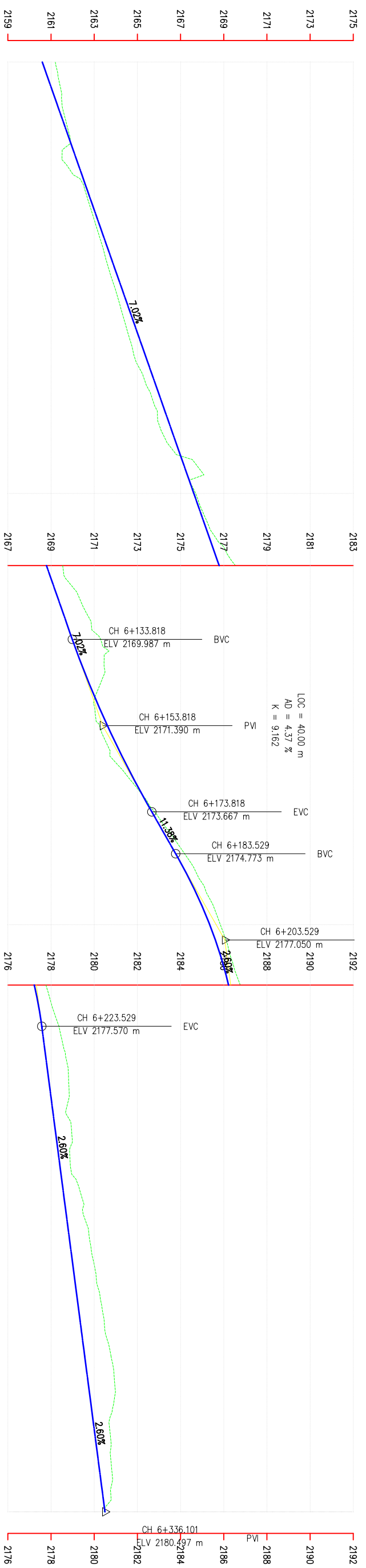
P No.	CO-ORDINATES(m)		WCS (0-M-S)	DST (0-M-S)	DEF. ANG (0-M-S)	TAN. LEN (m)	SIMPLE CURVE DATA						
	EASTING	NORTHING					R (m)	E (m)	LC (m)	BC	MC	EC	P
150	664457.239	3162048.746	316-60-57.35	71.591	09-08-42.16	7.998	100.000	0.319	15.991	5+463.091	5+4671.071	5+4679.652	5+4671.098
151	664460.506	3162022.650	296-29-23.31	64.559	16-29-32.34	3.608	23.000	0.299	7.167	5+722.005	5+735.368	5+738.613	5+738.613
152	664462.965	316209.855	316-26-50.23	38.692	19-01-24.92	16.755	100.000	1.394	33.202	5+737.470	5+776.072	5+774.228	5+774.228
153	664398.092	3162148.243	283-31-28.22	53.899	21-05-24.00	11.627	60.000	1.115	22.958	5+816.165	5+827.844	5+836.123	5+827.787
154	664335.168	316271.281	278-26-18.16	57.721	15-05-8.06	5.298	40.000	0.349	10.532	5+879.927	5+885.193	5+890.524	5+885.274
155	664296.351	316277.240	19-37-43.27	39.243	10-11-27.11	14.807	12.000	6.904	21.193	5+909.798	5+920.395	5+920.992	5+924.405
156	664307.583	3162208.535	31-24-3.61	33.439	31-06-18.34	11.364	40.000	1.398	22.181	5+938.440	5+942.530	5+942.405	5+948.823
157	664348.463	3162241.167	43-20-5.82	52.207	08-03-57.99	4.230	60.000	0.149	8.447	5+997.313	6+001.537	6+005.780	6+001.544



SUPER ELEVATION	HORIZONTAL ALIGNMENT	CHAINAGE(Km)	EXISTING LEVEL(m)	DESIGN LEVEL(m)	HORIZONTAL ALIGNMENT	
					RIGHT	LEFT
5+700	NC	5+700	2139.892	2139.595		
		5+710	2141.664	2141.106		
		5+720	2143.147	2142.407		
		5+730	2143.829	2143.498		
		5+740	2144.818	2144.378		
5+747.158	T	5+750	2145.537	2145.134		
5+760.283	T	5+760	2146.292	2145.888		
		5+770	2147.052	2146.643		
		5+780	2147.778	2147.398		
5+787.86	T	5+790	2148.498	2148.153		
		5+800	2149.277	2148.908		
		5+810	2150.563	2149.663		
5+819.603	T	5+820	2151.473	2150.418		
5+835.686	T	5+830	2151.994	2151.173		
5+850.686	T	5+840	2152.608	2151.928		
		5+850	2153.344	2152.683		
5+867.115	T	5+860	2153.842	2153.426		
		5+870	2154.268	2153.990		
5+883.99	T	5+880	2154.505	2154.314		
5+886.396	T	5+890	2154.470	2154.400		
		5+900	2154.291	2154.271		
5+910.736	T	5+910	2154.134	2154.407		
		5+920	2153.781	2154.980		
5+930.054	T	5+930	2155.108	2155.682		
5+939.377	T	5+940	2156.169	2156.383		
		5+950	2158.070	2157.085		
5+959.683	T	5+960	2159.046	2157.787		
5+963.62	T	5+970	2159.435	2158.489		
		5+980	2160.054	2159.191		
		5+990	2160.666	2159.893		
6+000	NC	6+000	2161.197	2160.595		



P No.	CO-ORDINATES(m)		WBS (0+00-0+00)	DIST (m)	DEF. ANG (0+00-0+00)	TAN LEN (m)	SMPLE CURVE DATA		CHANNAGE				
	EASTING	NORTHING					R (m)	E (m)	LC (m)	BC	MC	EC	P
158	664348.463	3162241.167	42-20-5.82	52.307	09-03-57.99	4.230	60.000	0.149	8.447	5+997.313	6+001.537	6+005.790	6+001.544
159	664350.376	3162253.751	32-59-45.08	17.301	78-20-20.55	12.220	15.000	4.348	20.509	6+008.610	6+016.865	6+027.119	6+018.830
160	664328.770	3162298.625	34-15-18.18	55.028	17-15-34.12	12.141	80.000	0.916	24.099	6+027.786	6+068.835	6+081.884	6+068.827
161	664372.995	3162334.573	12-55-49.99	37.323	30-40-30.60	10.971	40.000	1.977	21.415	6+098.095	6+106.803	6+117.510	6+107.086
162	664323.793	3162292.242	37-10-0.89	28.594	55-45-49.09	10.581	20.000	2.827	19.465	6+124.552	6+134.265	6+144.018	6+135.134
163	664311.138	3162375.892	358-25-50.32	18.614	41-15-48.43	7.793	20.000	1.371	14.404	6+144.503	6+151.722	6+158.924	6+152.050
164	664308.432	3162383.171	34-45-58.15	62.302	22-02-58.40	62.302	40.000	0.252	15.394	6+205.803	6+213.999	6+221.298	6+213.896
166	664301.098	3162390.112	01-45-44.61	45.788	98-20-8.22	11.843	20.000	2.904	20.363	6+248.121	6+258.303	6+268.484	6+258.294
167	664304.892	3162390.024	16-21-20.94	24.278	14-35-38.33	3.291	25.000	1.071	14.379	6+274.145	6+281.134	6+288.524	6+281.539
168	664305.375	3162327.791	00-00-0.00	27.266	00-00-0.00	0.000	0.000	0.294	8.308	6+305.688	6+308.682	6+312.038	6+308.689
169	664313.413	3162353.973	00-00-0.00	27.266	00-00-0.00	0.000	0.000	0.000	0.000	6+336.101	6+336.101	6+336.101	6+336.101



DESIGN LEVEL(m)	EXISTING LEVEL(m)	CHAINAGE(Km)	HORIZONTAL ALIGNMENT		SUPER ELEVATION
			RIGHT	LEFT	
2160.595	2161.197	6+000			
2161.296	2161.513	6+010			
2161.998	2161.604	6+020			
2162.700	2162.591	6+030			
2163.402	2163.214	6+040			
2164.104	2163.798	6+050			
2164.806	2164.400	6+060			
2165.508	2164.989	6+070			
2166.209	2165.832	6+080			
2166.911	2166.648	6+090			
2167.613	2167.701	6+100			
2168.315	2168.591	6+110			
2169.017	2169.725	6+120			
2169.719	2170.860	6+130			
2170.442	2171.454	6+140			
2171.265	2171.028	6+150			
2172.199	2171.732	6+160			
2173.241	2173.247	6+170			
2174.371	2174.698	6+180			
2175.464	2175.955	6+190			
2176.350	2176.843	6+200			
2177.017	2177.478	6+210			
2177.465	2178.118	6+220			
2177.998	2178.664	6+230			
2178.258	2178.839	6+240			
2178.518	2178.986	6+250			
2178.779	2179.232	6+260			
2179.039	2179.697	6+270			
2179.299	2180.045	6+280			
2179.559	2180.397	6+290			
2179.819	2180.777	6+300			
2180.079	2180.928	6+310			
2180.339	2180.779	6+320			
	2180.798	6+330			

Government of Nepal
 Ministry of Federal Affairs and General Administration
 Department of Local Infrastructure (DOLI)
 Rural Connectivity Improvement Project-phase 2
 (DOLI/RCIP/PPR-04/2019)

CONSULTANT:
ITECO - INCLUSIVE JV
 Sitapalia Chowk, Ring Road

ROAD NAME:
 Sisaghadhi-Jhumlabang-Ransi Road
 Rukum District

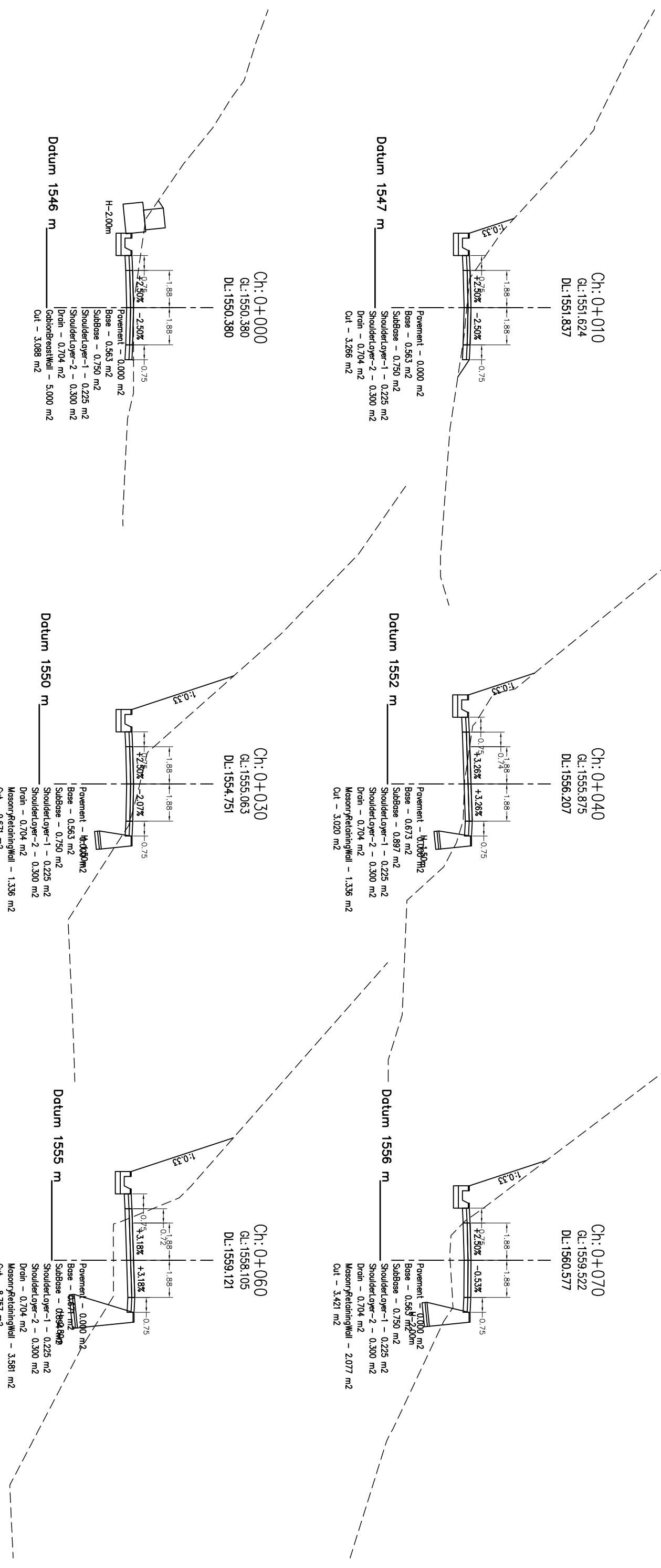
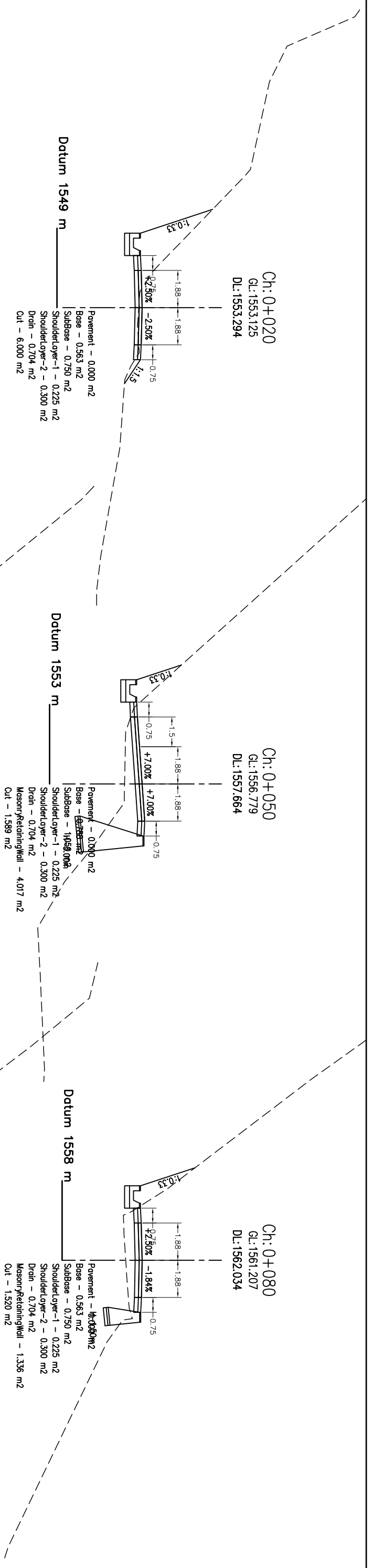
DATE: _____ REVISION: _____ SIGNATURE: _____

DESIGNED BY: _____ DRAWN BY: _____ CHECKED BY: _____ APPROVED BY: _____

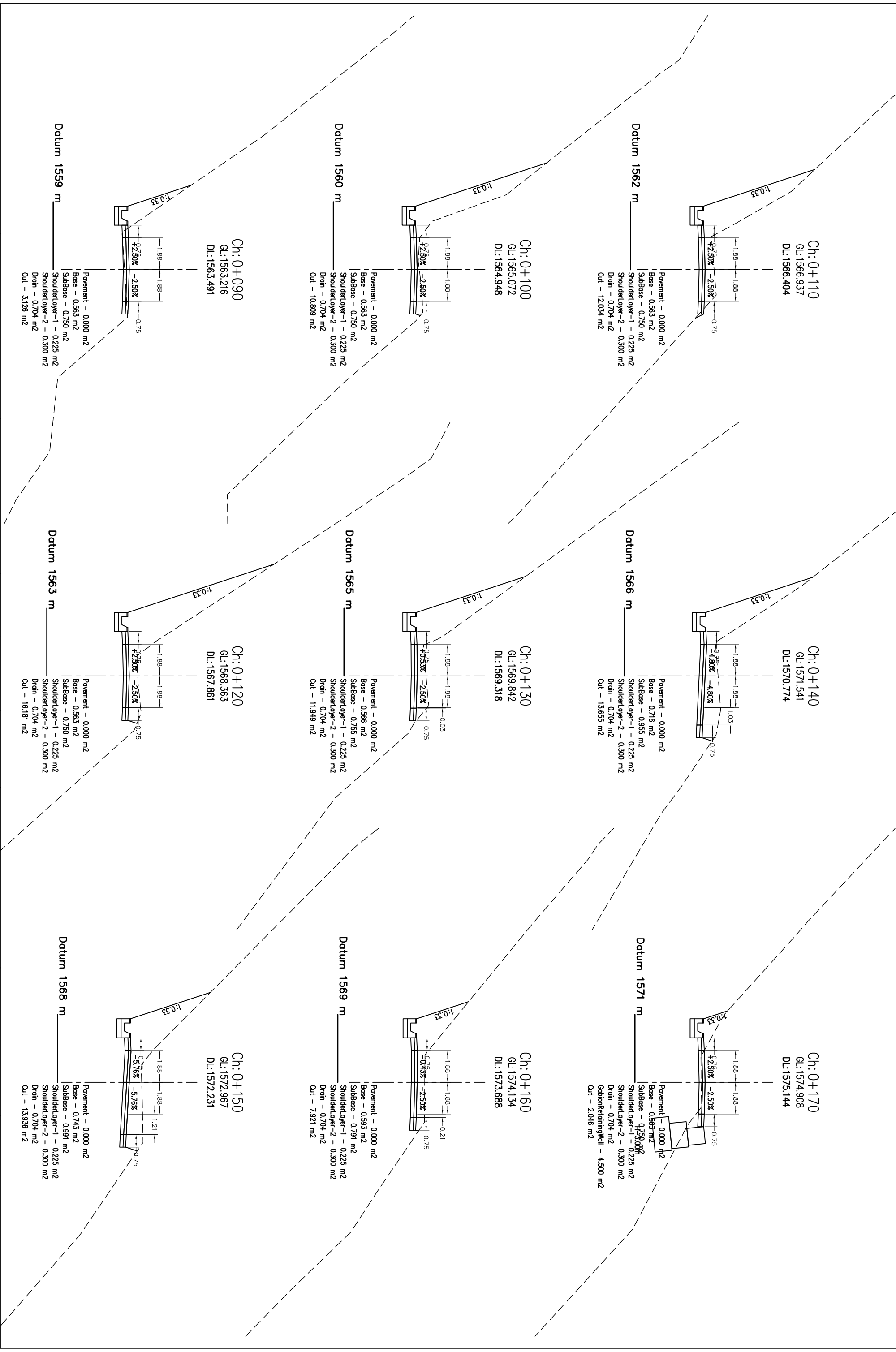
SCALE: HORIZONTAL: 1:1000 VERTICAL: 1:200

Plan & Profile
 6+000-6+300

DATE: _____ DRG NO.: _____ SHEET NO.: **21**

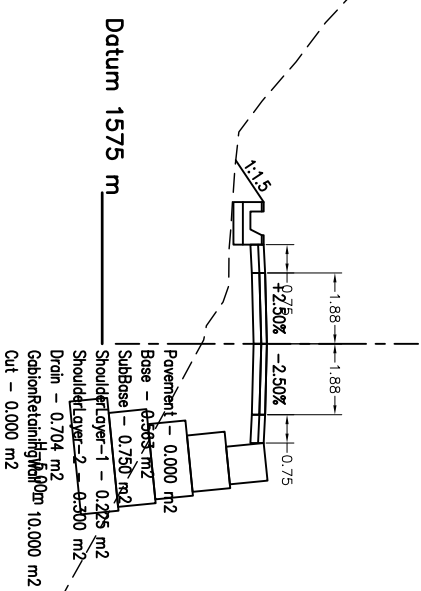


Government of Nepal Ministry of Federal Affairs and General Administration Department of Local Infrastructure (DoLI) Rural Connectivity Improvement Project-Phase 2 (DoLI/RCP/IDPR-04/2019)		CONSULTANT: ITECO - INCLUSIVE JV Sitapalla Chowk, Ring Road		ROAD NAME : Sisaghadh-Jhurnlabang-Ransi Road Rukum (East) District		DATE	REVISION	SIGNATURE	DESIGNED BY :	SCALE	Cross-Section 0+000-0+080	DATE: February 2022
								DRAWN BY : CHECKED BY : APPROVED BY :		DRG NO. : 1 SHEET NO. : 1		

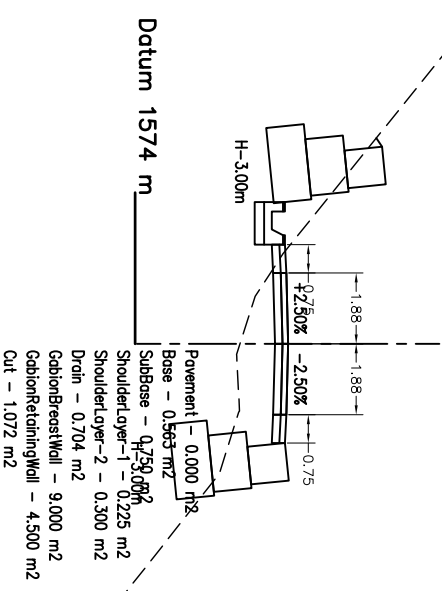


Government of Nepal Ministry of Federal Affairs and General Administration Department of Local Infrastructure (DoLI) Rural Connectivity Improvement Project-Phase 2 (DoLI/RCIP/DPR-04/2019)		CONSULTANT: ITECO - INCLUSIVE JV Sitapalla Chowk, Ring Road		ROAD NAME : Sisaghadh-Jhunjhang-Ransil Road Rukum (East) District		DATE	REVISION	SIGNATURE	DESIGNED BY :	SCALE 	Cross-Section 0+090-0+170		DATE: February 2022
								DRAWN BY : CHECKED BY : APPROVED BY :	DRG NO. : 1		SHEET NO. : 2		

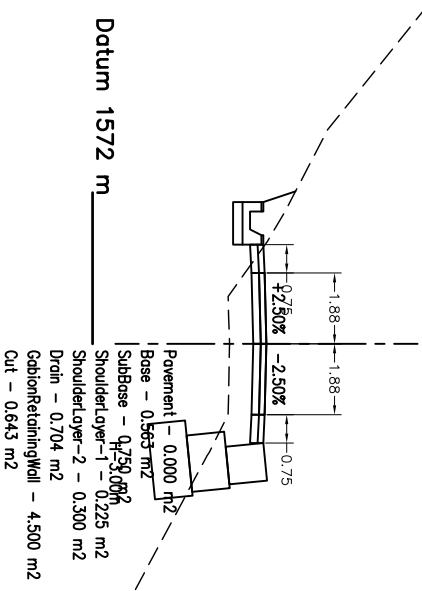
Ch: 0+200
 G.L: 1577.630
 D.L: 1579.356



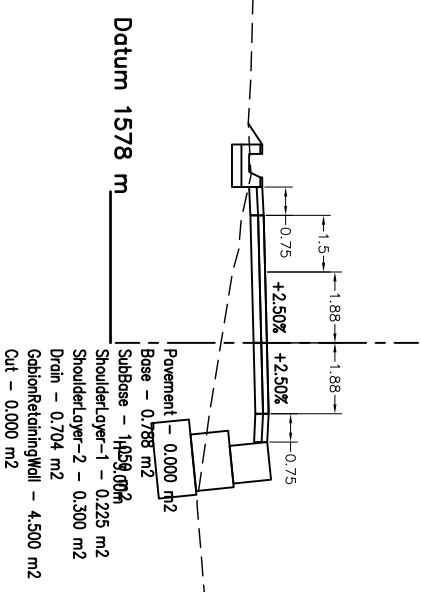
Ch: 0+190
 G.L: 1576.775
 D.L: 1578.050



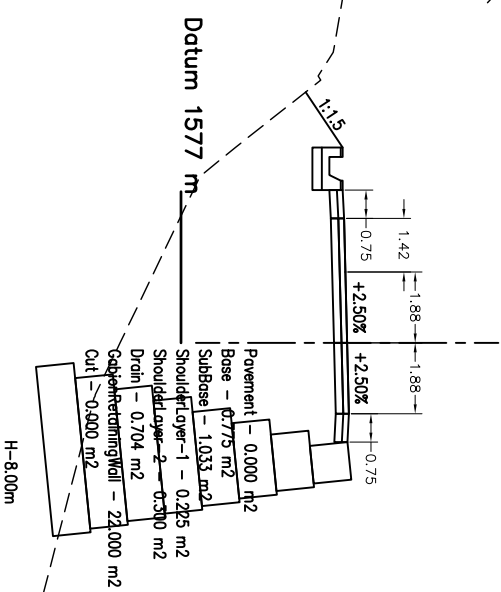
Ch: 0+180
 G.L: 1575.625
 D.L: 1576.601



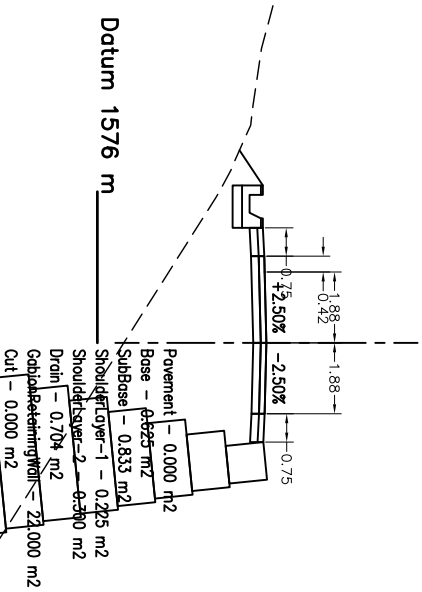
Ch: 0+230
 G.L: 1580.922
 D.L: 1582.135



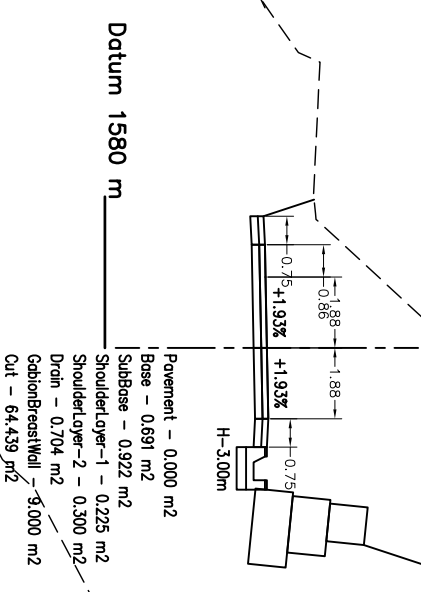
Ch: 0+220
 G.L: 1575.389
 D.L: 1581.395



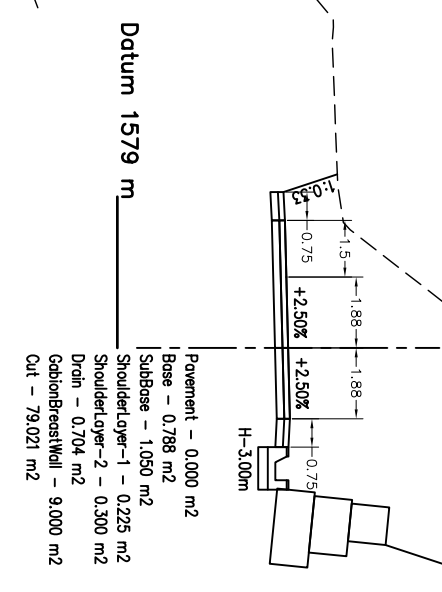
Ch: 0+210
 G.L: 1576.699
 D.L: 1580.472



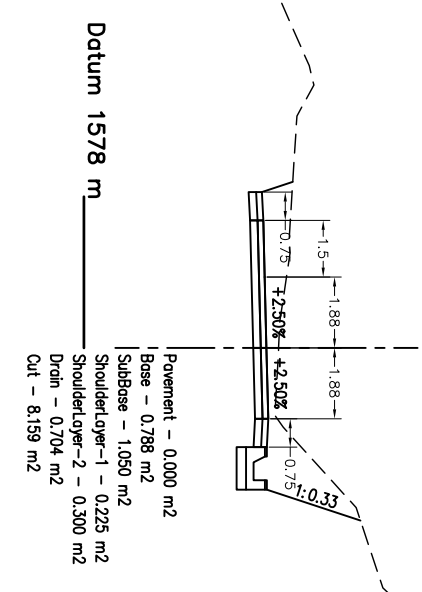
Ch: 0+260
 G.L: 1589.261
 D.L: 1584.285



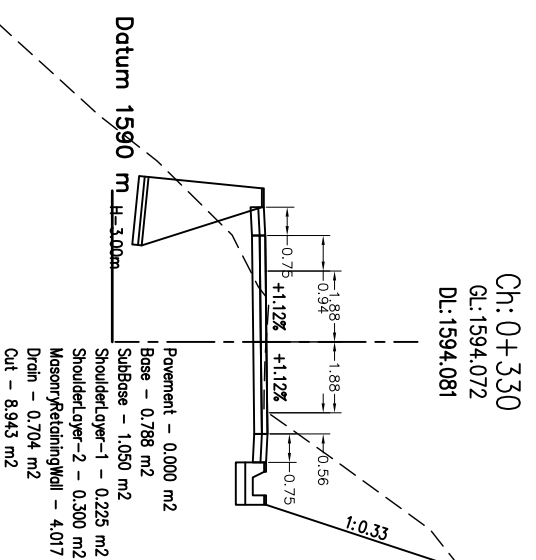
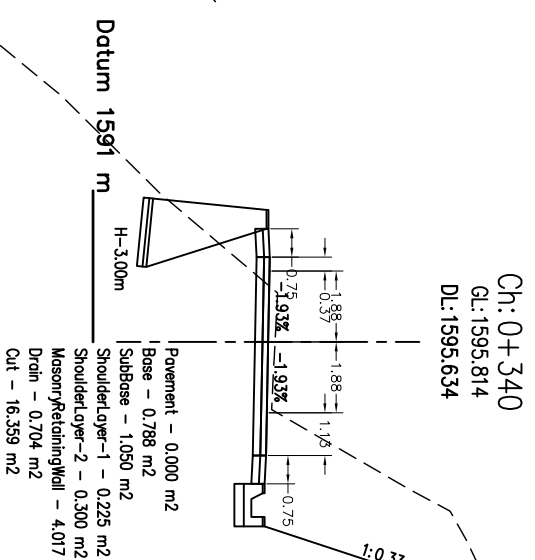
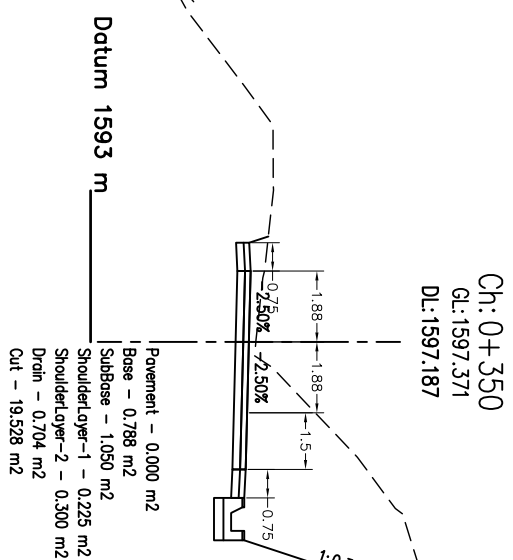
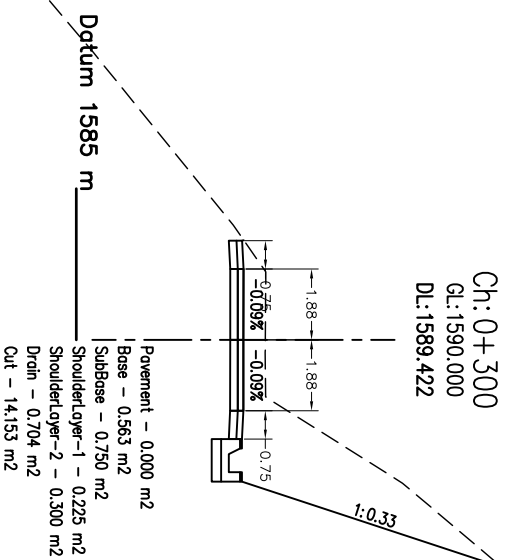
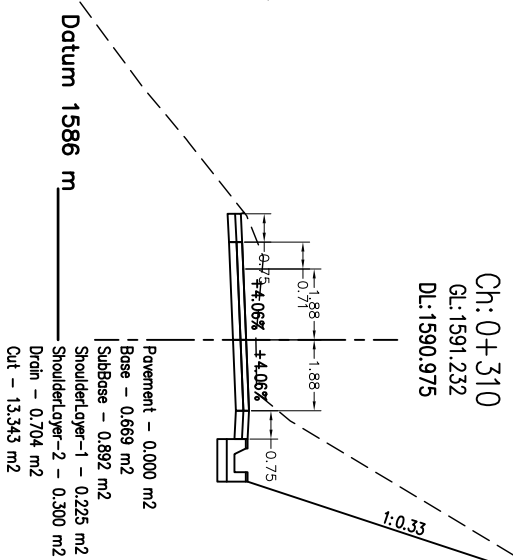
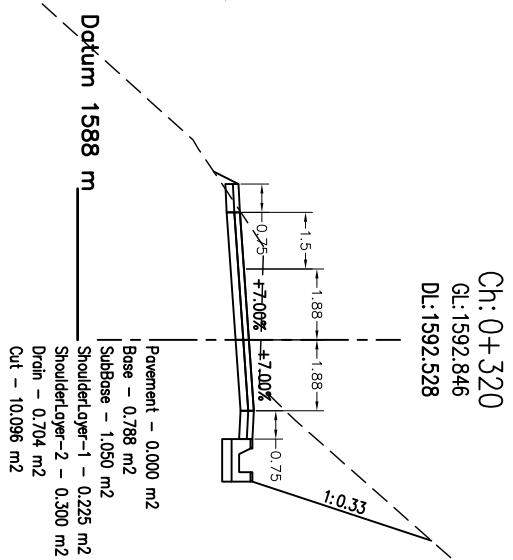
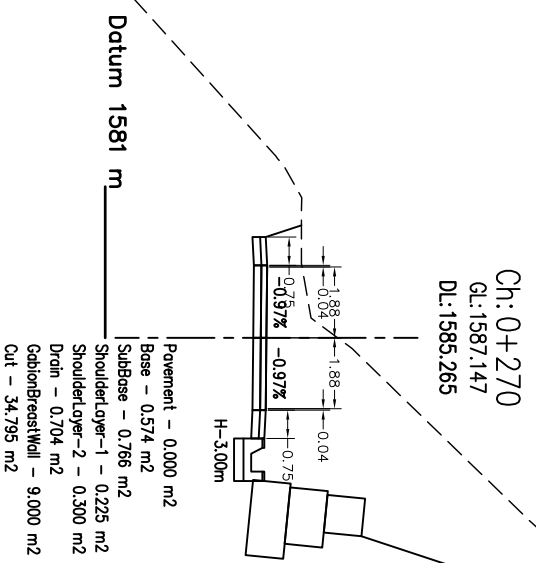
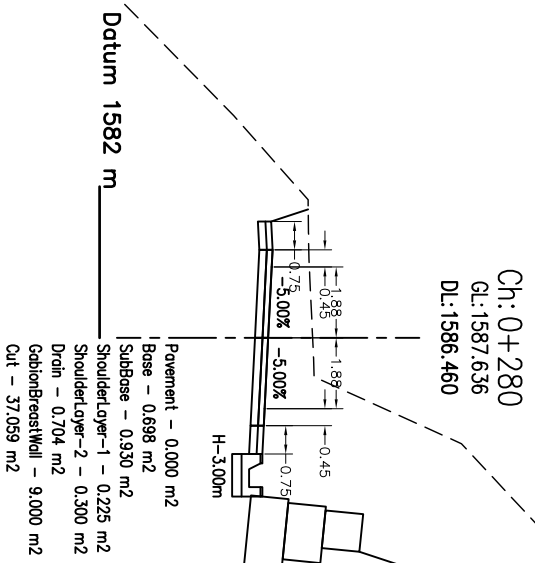
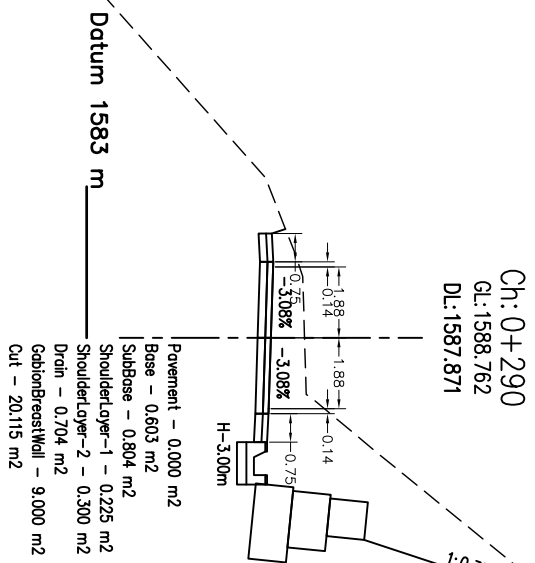
Ch: 0+250
 G.L: 1589.183
 D.L: 1583.518



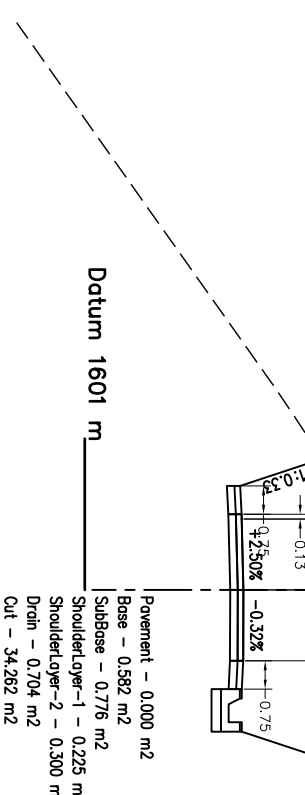
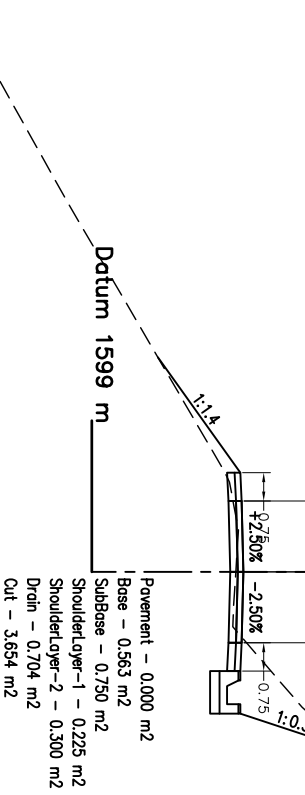
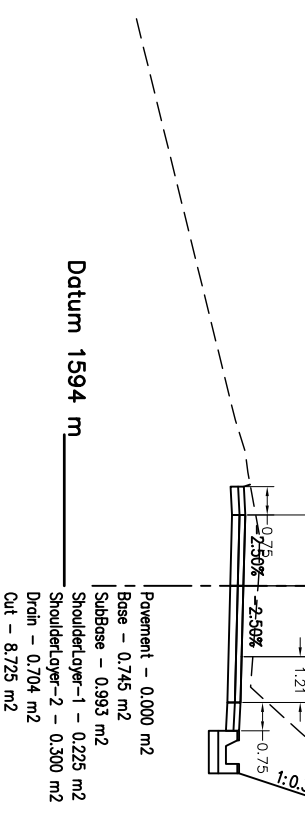
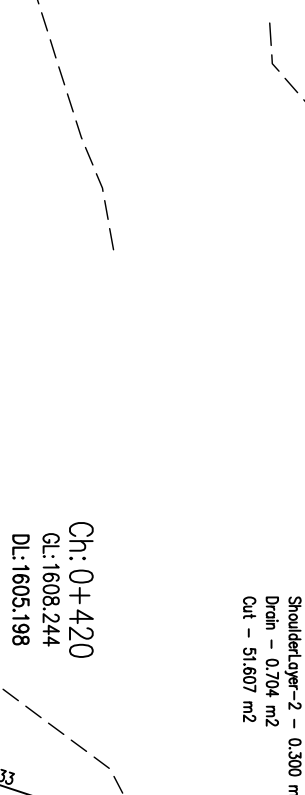
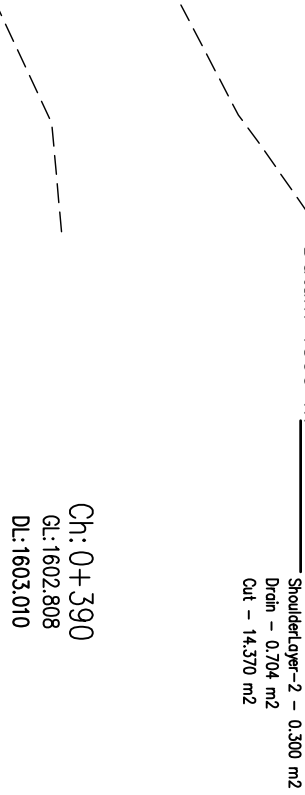
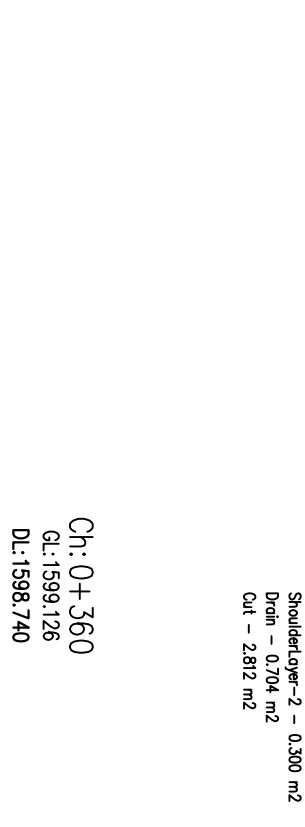
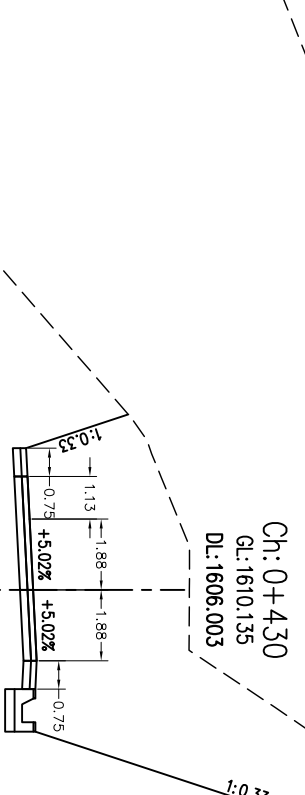
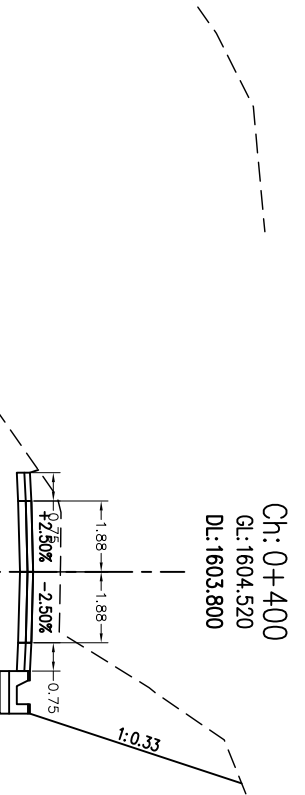
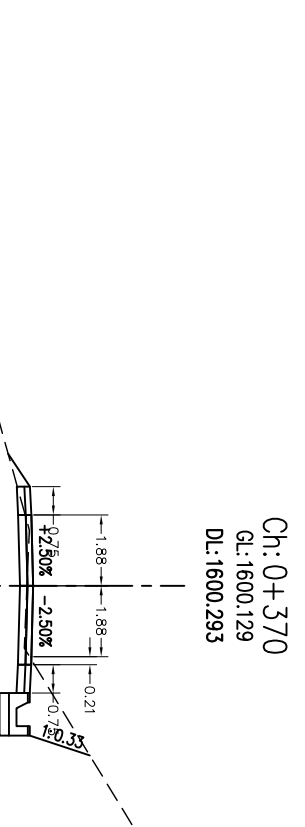
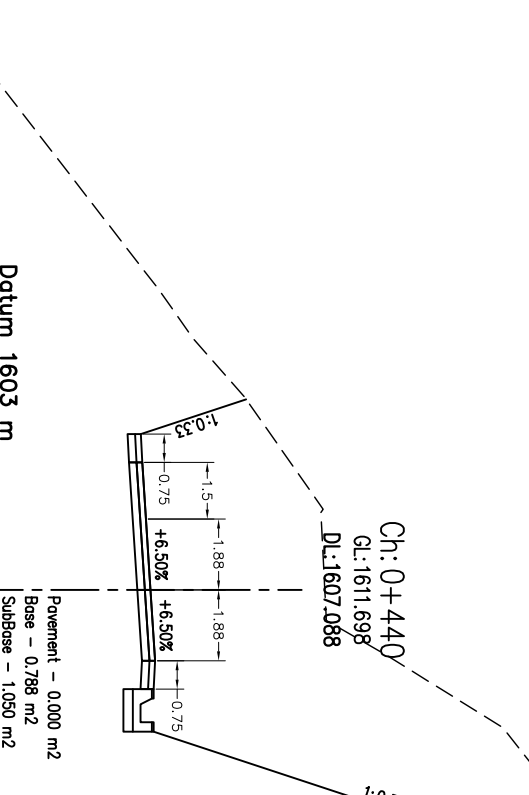
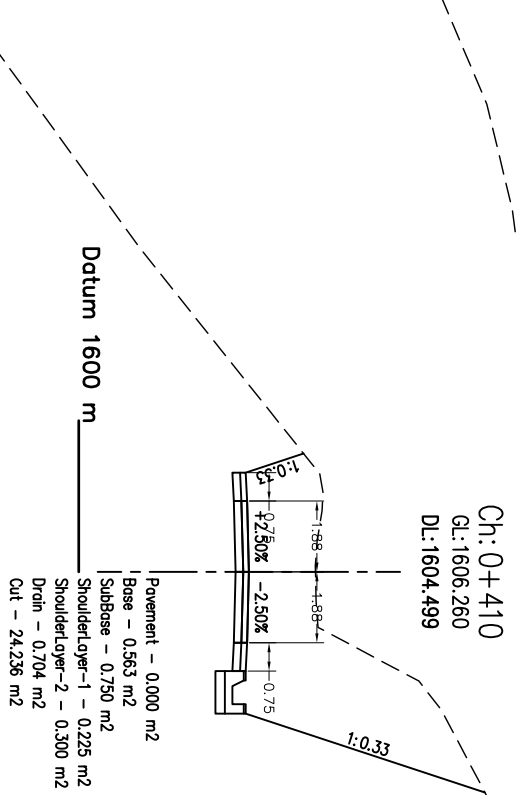
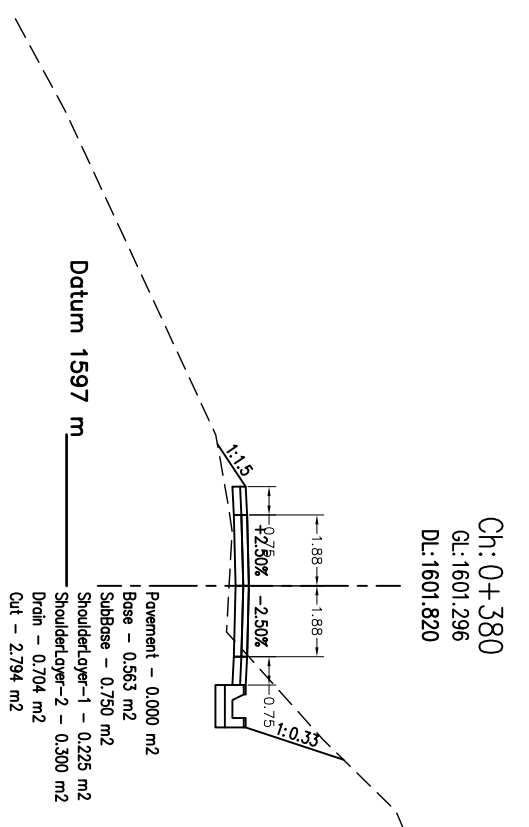
Ch: 0+240
 G.L: 1583.148
 D.L: 1582.827



Government of Nepal Ministry of Federal Affairs and General Administration Department of Local Infrastructure (DoLI) Rural Connectivity Improvement Project-Phase 2 (DoLI/RCP/IDPR-04/2019)		CONSUL TANT: ITECO - INCLUSIVE JV Sitapalla Chowk, Ring Road		ROAD NAME : Sisaghadh-Jhumlabang-Ransil Road Rukum (East) District		DATE REVISION SIGNATURE H-8.00m		DESIGNED BY : DRAWN BY : CHECKED BY : APPROVED BY :		SCALE 		Cross-Section 0+180-0+260		DATE: February 2022 DRG NO : 1 SHEET NO : 3	
---	--	---	--	--	--	--	--	--	--	-----------	--	-------------------------------------	--	---	--



Government of Nepal Ministry of Federal Affairs and General Administration Department of Local Infrastructure (DoLI) Rural Connectivity Improvement Project-Phase 2 (DoLI/RCI/IDPR-04/2019)		CONSUL TANT: ITECO - INCLUSIVE JV Sitapalla Chowk, Ring Road		ROAD NAME : Sisaghadh-Jhunjlabang-Ransi Road Rukum (East) District		DATE	REVISION	SIGNATURE	DESIGNED BY :	SCALE	Cross-Section 0+270-0+350	DATE: February 2022
DRAWN BY : CHECKED BY : APPROVED BY :										DRG NO : 1 SHEET NO : 4		



Government of Nepal
 Ministry of Federal Affairs and General Administration
 Department of Local Infrastructure (DoLI)
 Rural Connectivity Improvement Project-Phase 2
 (DoLI/RCP/IDPR-04/2019)

CONSULTANT:
ITECO - INCLUSIVE JV
 Sitapalla Chowk, Ring Road

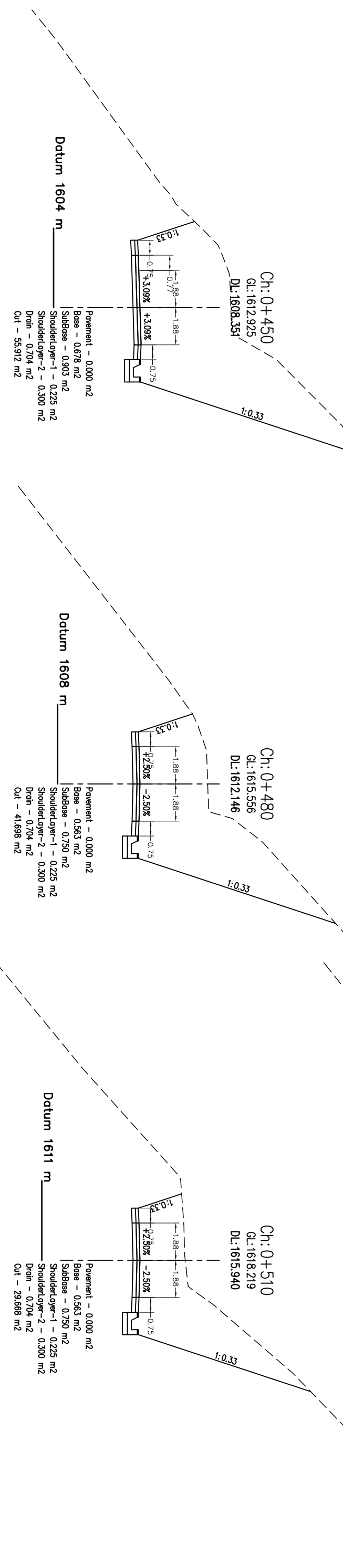
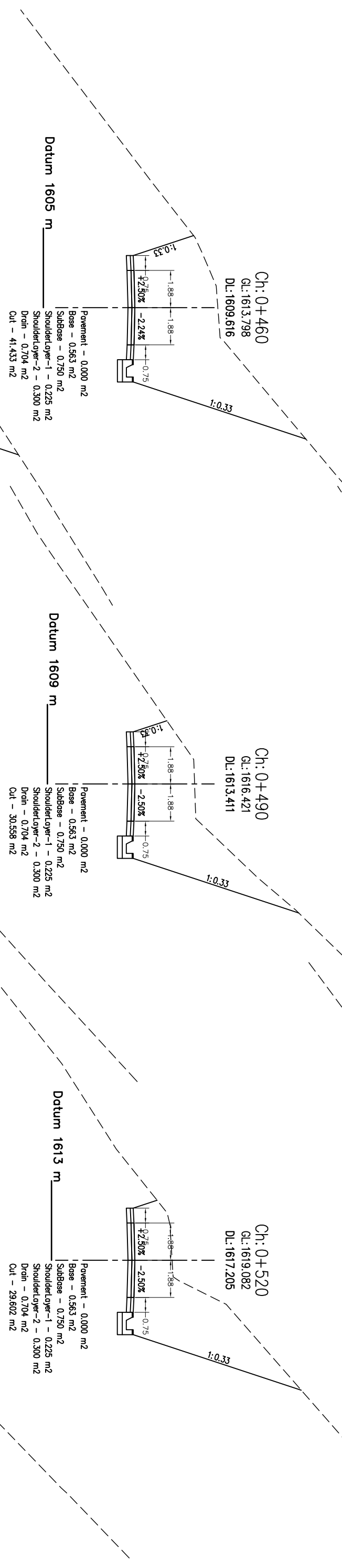
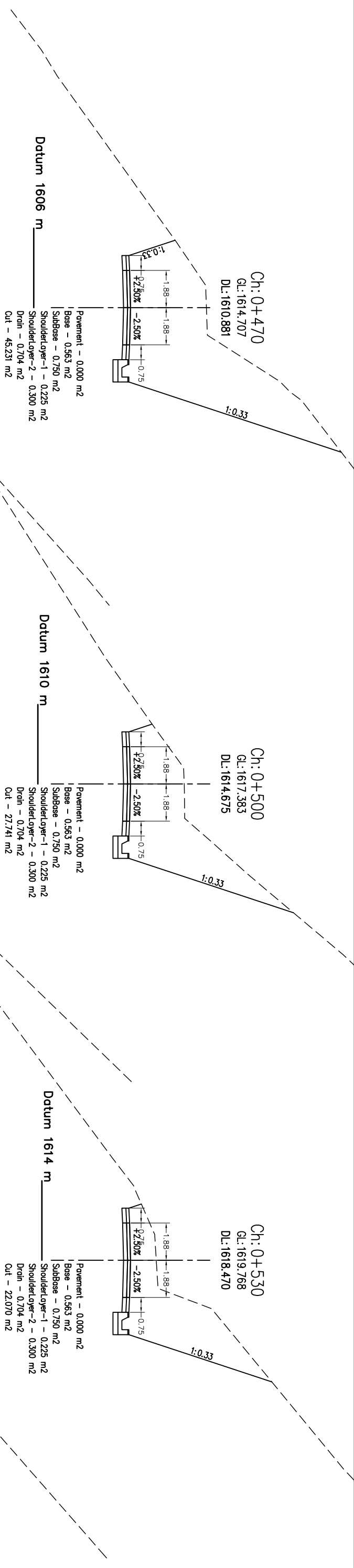
ROAD NAME:
 Sisaghadh-Jhumbhang-Ransi Road
 Rukum (East) District

DATE
 REVISION
 SIGNATURE

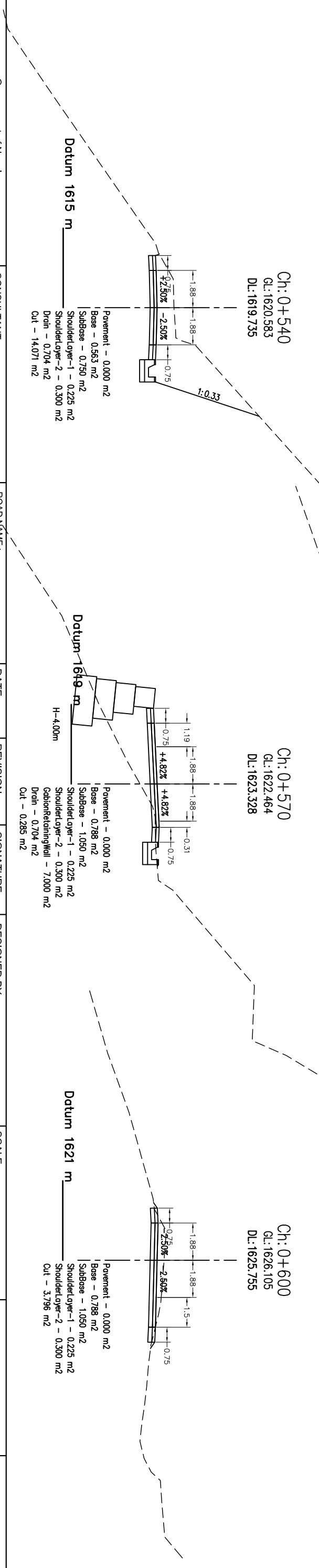
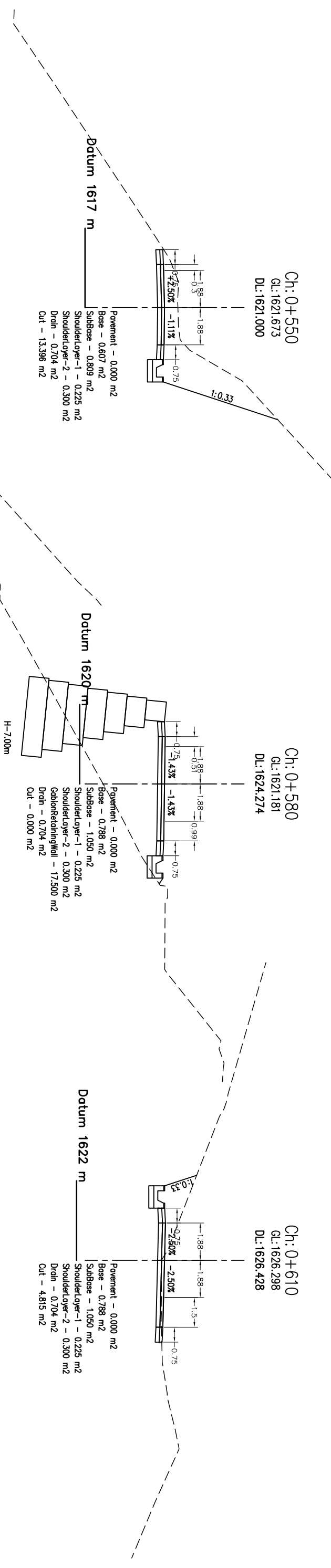
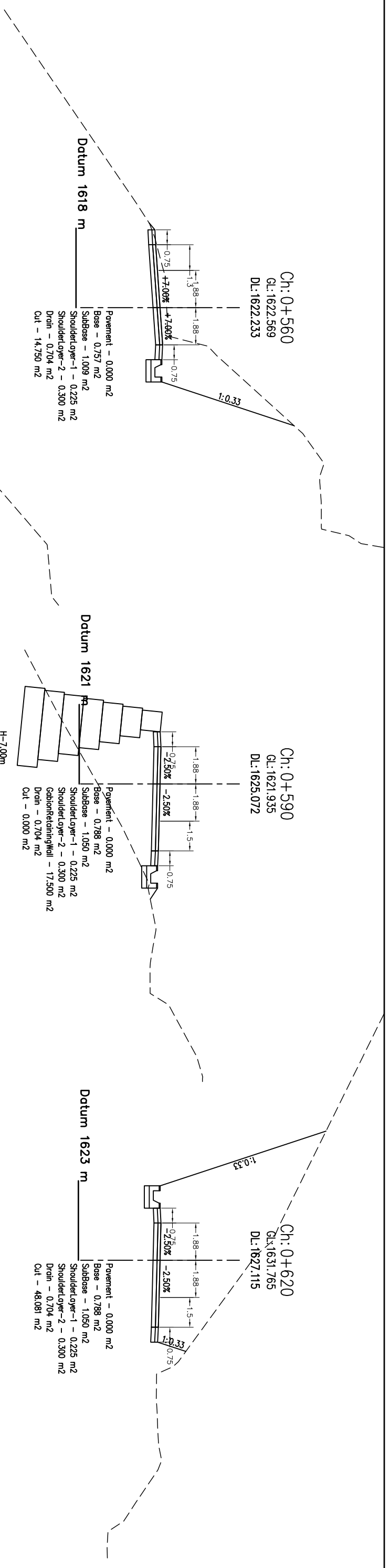
DESIGNED BY:
 DRAWN BY:
 CHECKED BY:
 APPROVED BY:

SCALE

Cross-Section
0+360-0+440
 DATE: February 2022
 DRG NO.: **1**
 SHEET NO.: **5**

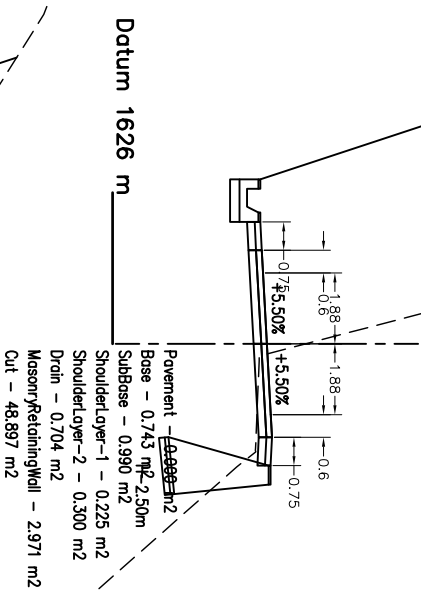


Government of Nepal Ministry of Federal Affairs and General Administration Department of Local Infrastructure (DoLI) Rural Connectivity Improvement Project-phase 2 (DoLI/RICIP/DPR-04/2019)		CONSULTANT: ITECO - INCLUSIVE JV Sitapalla Chowk, Ring Road		ROAD NAME : Sisaghad-humlabang-Ransi Road Rukum (East) District		DATE	REVISION	SIGNATURE	DESIGNED BY :	SCALE	Cross-Section 0+450-0+530	DATE: February 2022
DRAWN BY :									1:200	DRG NO. : 1		
CHECKED BY :									4m	SHEET NO. : 6		
APPROVED BY :												

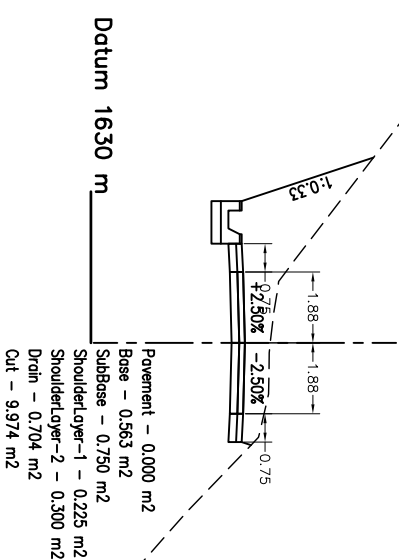


Government of Nepal Ministry of Federal Affairs and General Administration Department of Local Infrastructure (DoLI) Rural Connectivity Improvement Project-Phase 2 (DoLI/RCP/IDPR-04/2019)		CONSULTANT: ITECO - INCLUSIVE JV Sitapalla Chowk, Ring Road		ROAD NAME: Sisaghad- Jhumbhang-Ransi Road Rukum (East) District		DATE	REVISION	SIGNATURE	DESIGNED BY:	SCALE	Cross-Section 0+540-0+620	DATE: February 2022
DRAWN BY: CHECKED BY: APPROVED BY:										DRG NO.: 1 SHEET NO.: 7		

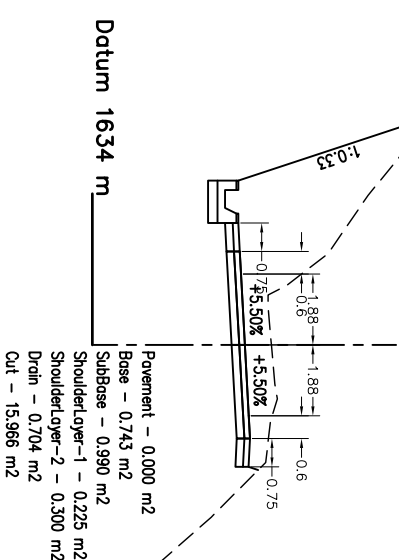
Ch: 0+650
 G.L: 1631.110
 D.L: 1630.080



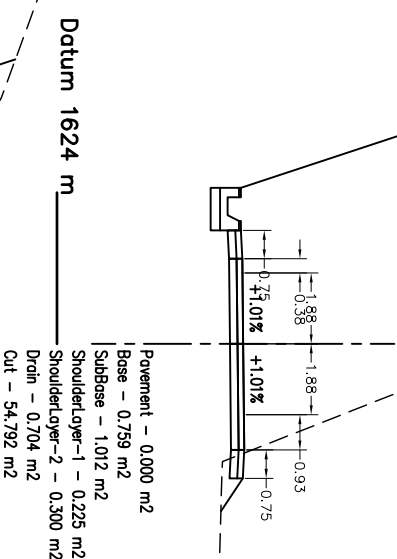
Ch: 0+680
 G.L: 1634.743
 D.L: 1634.072



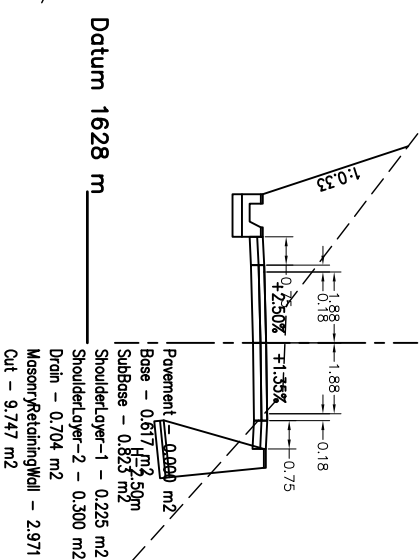
Ch: 0+710
 G.L: 1638.736
 D.L: 1638.035



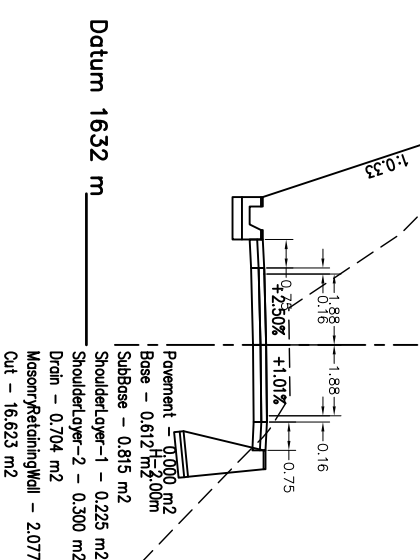
Ch: 0+640
 G.L: 1634.529
 D.L: 1628.925



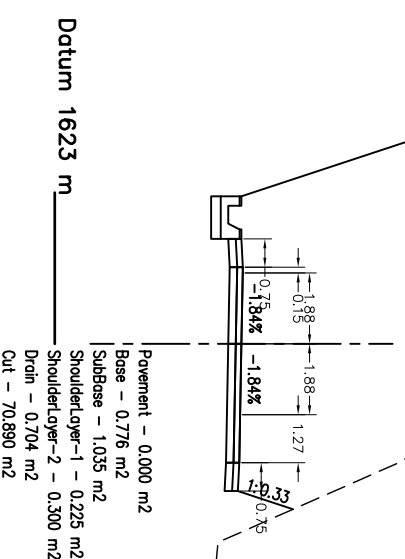
Ch: 0+670
 G.L: 1633.226
 D.L: 1632.731



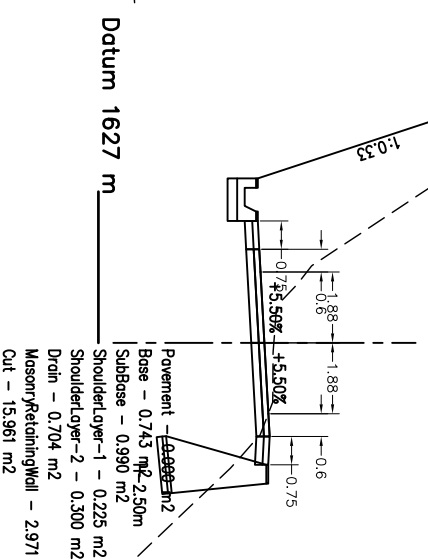
Ch: 0+700
 G.L: 1637.365
 D.L: 1636.754



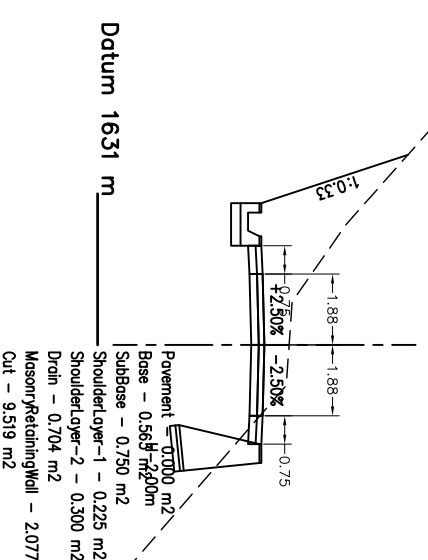
Ch: 0+630
 G.L: 1634.642
 D.L: 1627.936



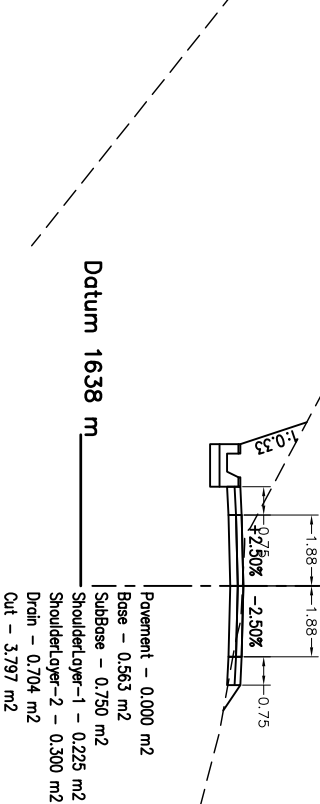
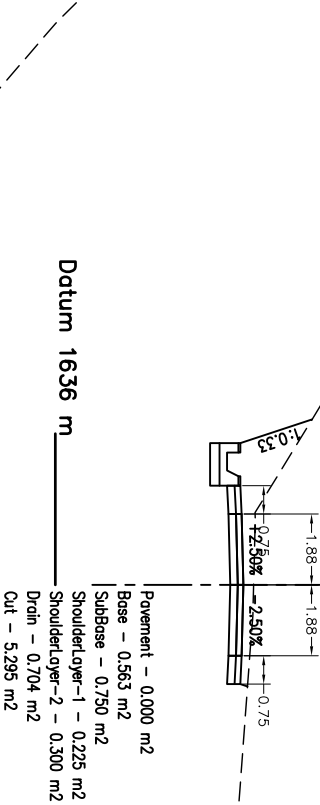
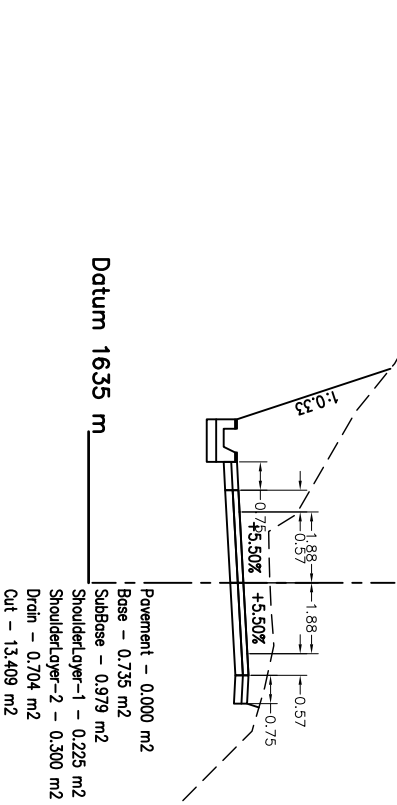
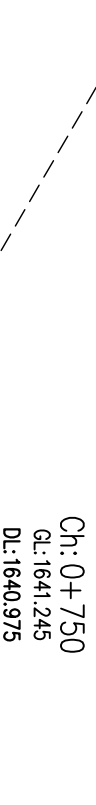
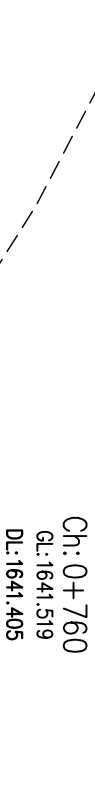
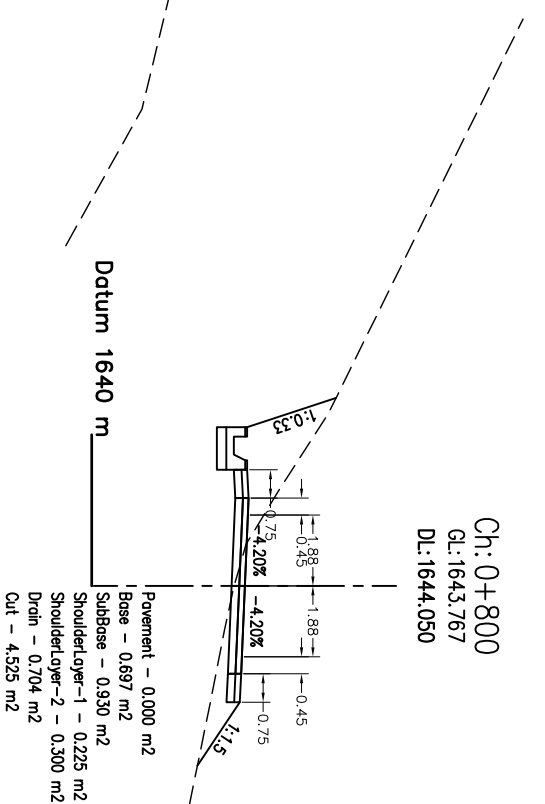
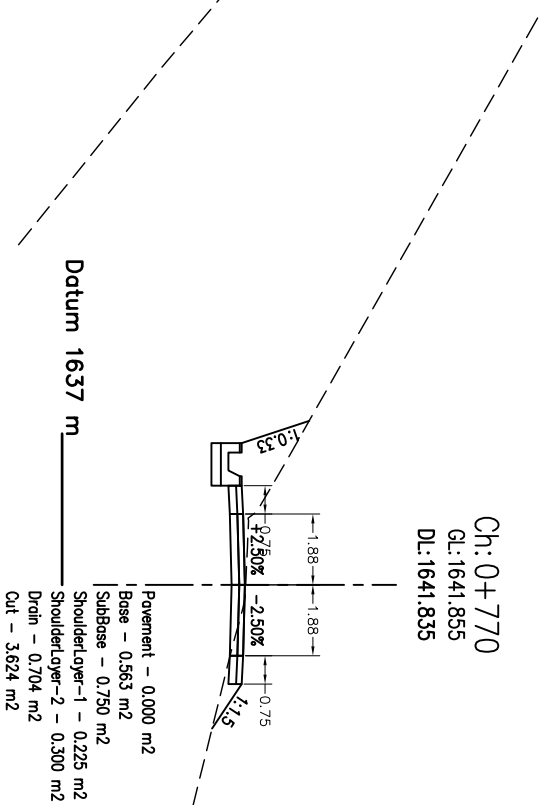
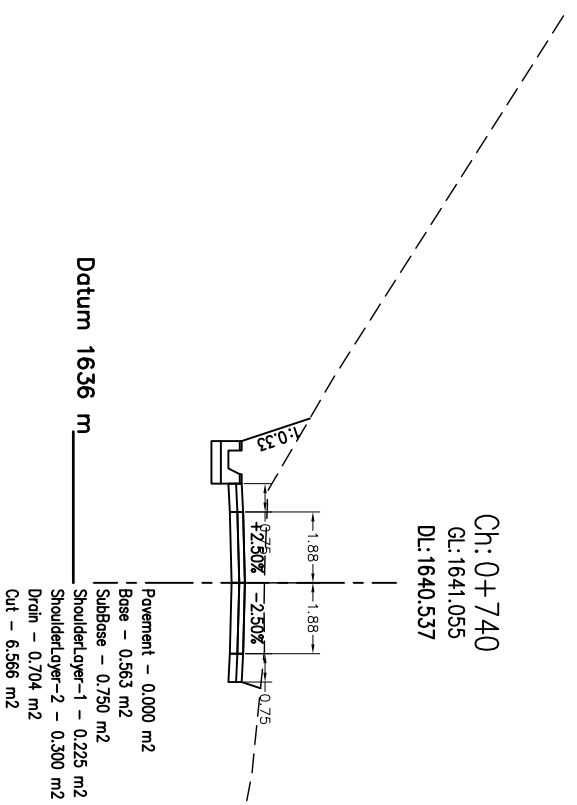
Ch: 0+660
 G.L: 1631.639
 D.L: 1631.390



Ch: 0+690
 G.L: 1636.066
 D.L: 1635.413



Government of Nepal Ministry of Federal Affairs and General Administration Department of Local Infrastructure (DoLI) Rural Connectivity Improvement Project-Phase 2 (DoLI/RCIP/DPR-04/2019)		CONSULTANT: ITECO - INCLUSIVE JV Sitapalla Chowk, Ring Road		ROAD NAME : Sisaghadh-Jhumbhang-Ransil Road Rukum (East) District		DATE	REVISION	SIGNATURE	DESIGNED BY :	SCALE	Cross-Section 0+630-0+710		DATE: February 2022
											CHECKED BY : APPROVED BY :	DRG NO. : SHEET NO. :	
										1	8		



Government of Nepal
 Ministry of Federal Affairs and General Administration
 Department of Local Infrastructure (DoLI)
 Rural Connectivity Improvement Project-Phase 2
 (DoLI/RICIP/DPR-04/2019)

CONSULTANT:
ITECO - INCLUSIVE JV
 Sitapalla Chowk, Ring Road

ROAD NAME:
 Sisaghadh-Jhunjhang-Ransi Road

Rukum (East) District

DATE

REVISION

SIGNATURE

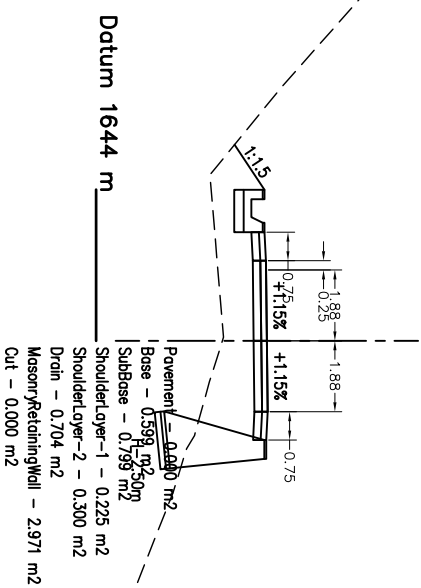
DESIGNED BY :
 DRAWN BY :
 CHECKED BY :
 APPROVED BY :

SCALE

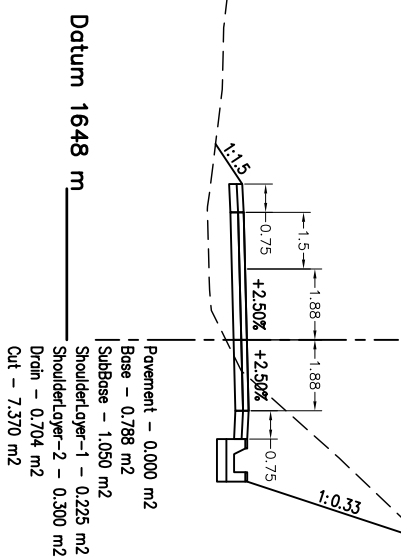
Cross-Section
 0+720-0+800

DATE: February 2022
 DRG NO. : **1**
 SHEET NO. : **9**

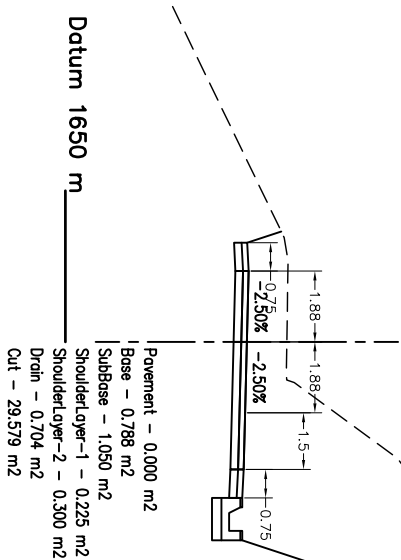
Ch: 0+830
 G.L: 1647.339
 D.L: 1648.515



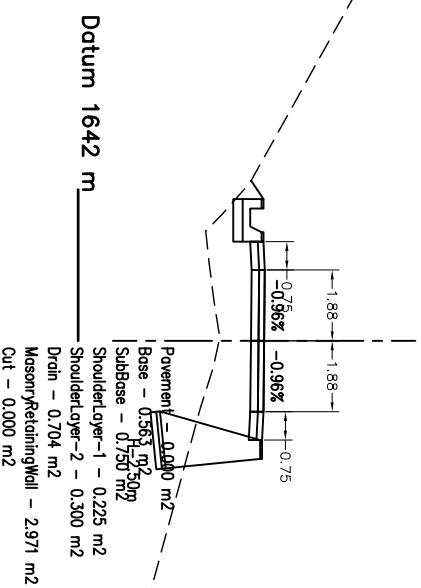
Ch: 0+860
 G.L: 1652.208
 D.L: 1652.761



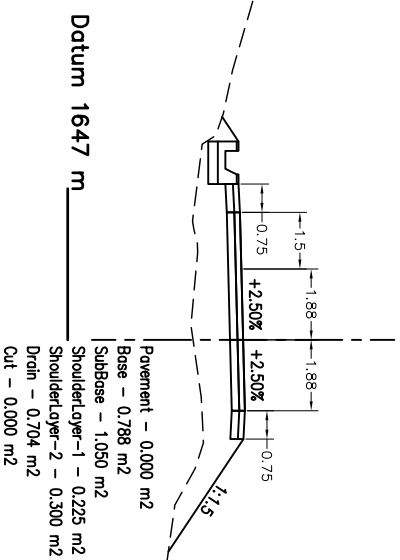
Ch: 0+890
 G.L: 1655.859
 D.L: 1654.802



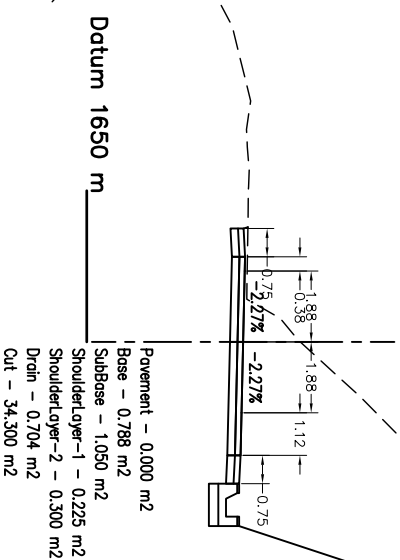
Ch: 0+820
 G.L: 1645.726
 D.L: 1646.921



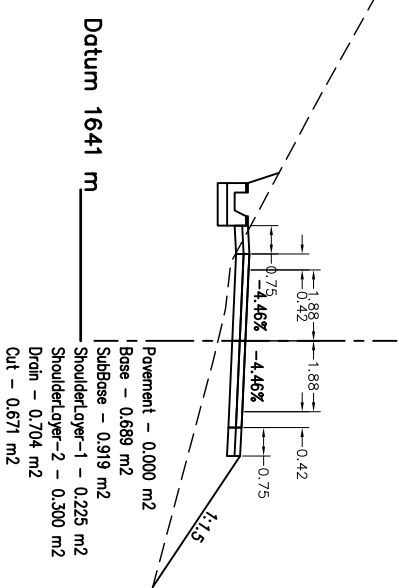
Ch: 0+850
 G.L: 1650.317
 D.L: 1651.641



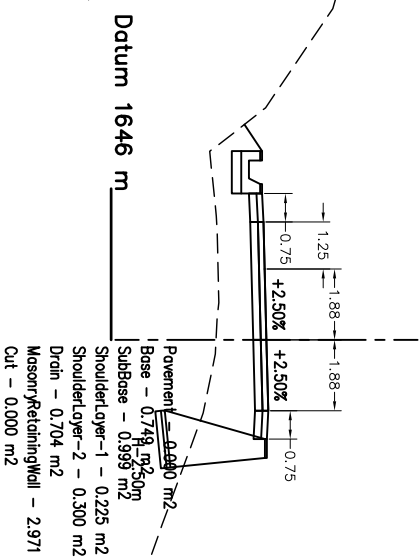
Ch: 0+880
 G.L: 1655.645
 D.L: 1654.136



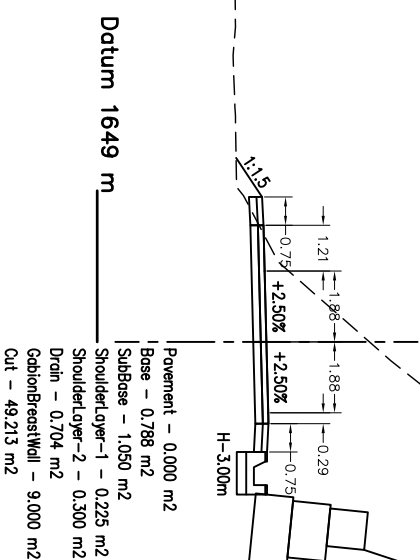
Ch: 0+810
 G.L: 1644.633
 D.L: 1645.360

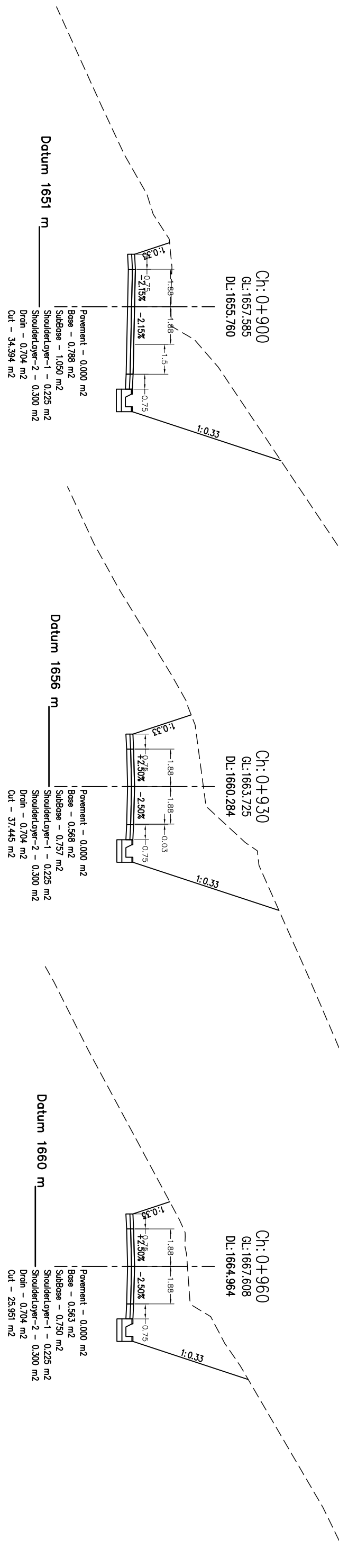
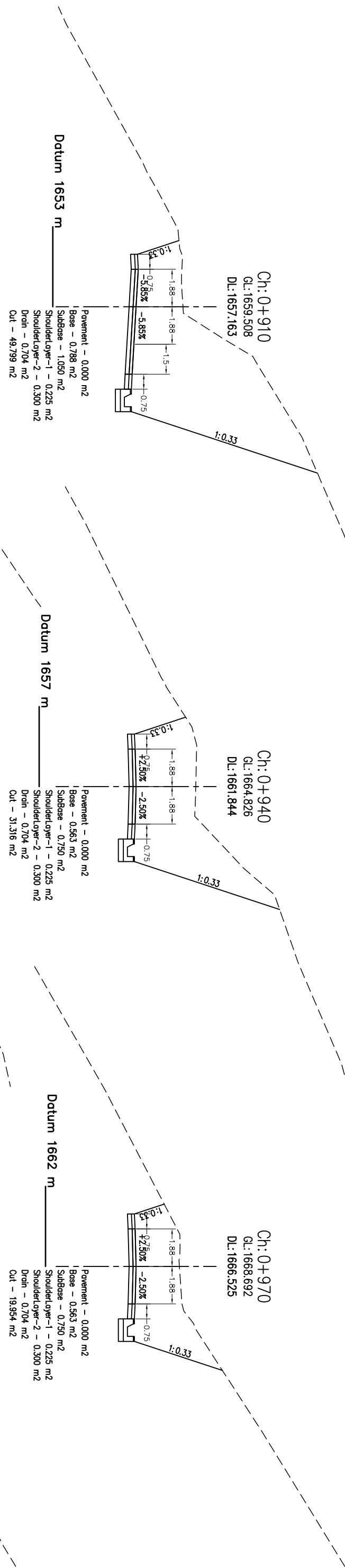
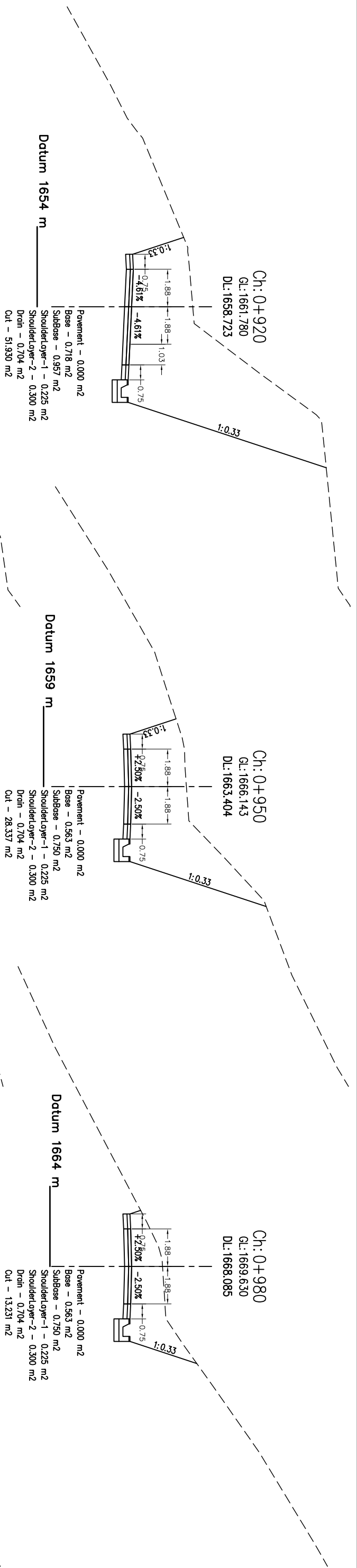


Ch: 0+840
 G.L: 1648.777
 D.L: 1650.109

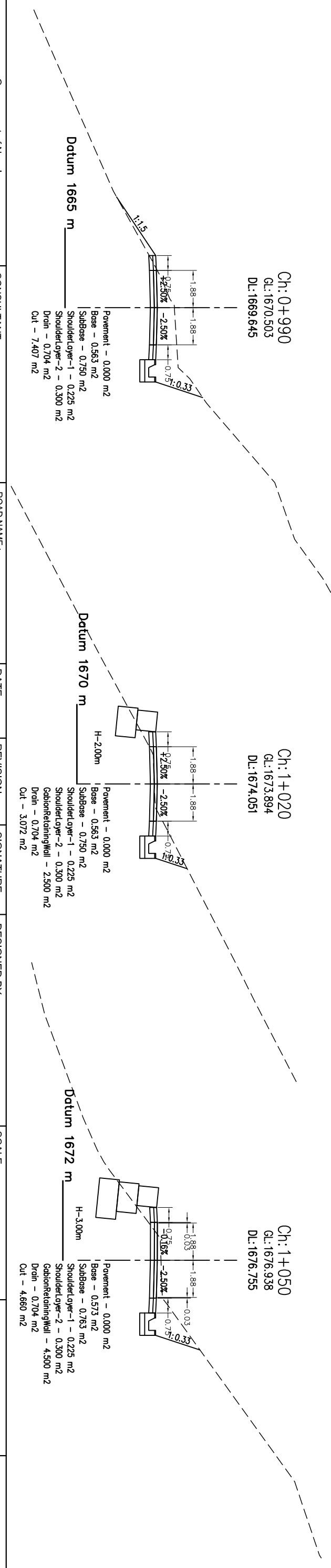
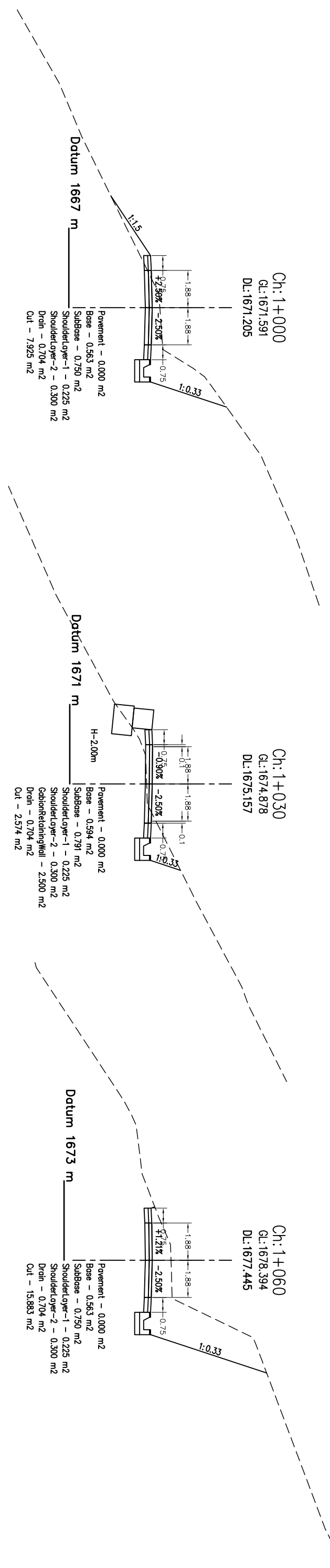
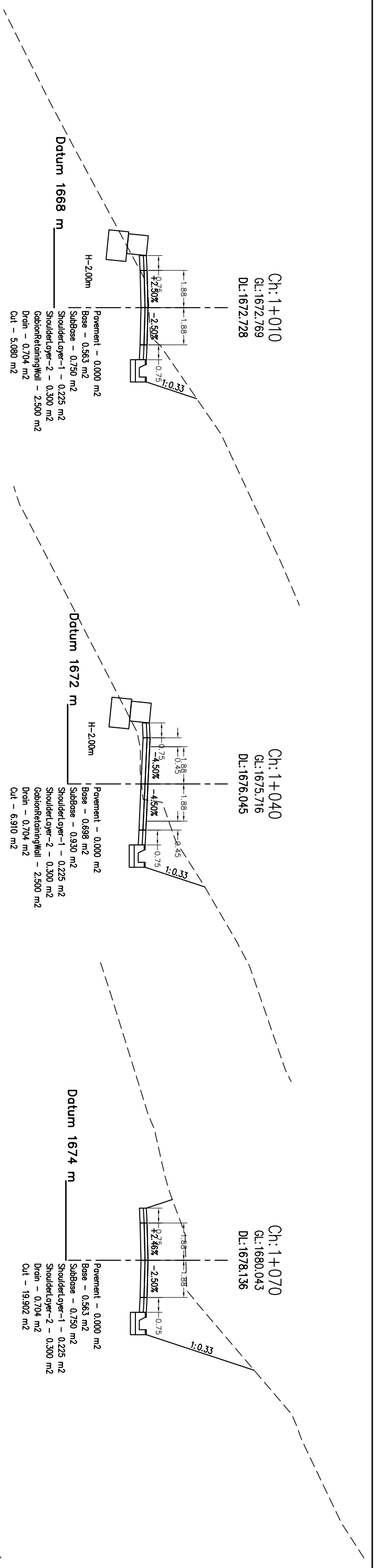


Ch: 0+870
 G.L: 1656.199
 D.L: 1653.476

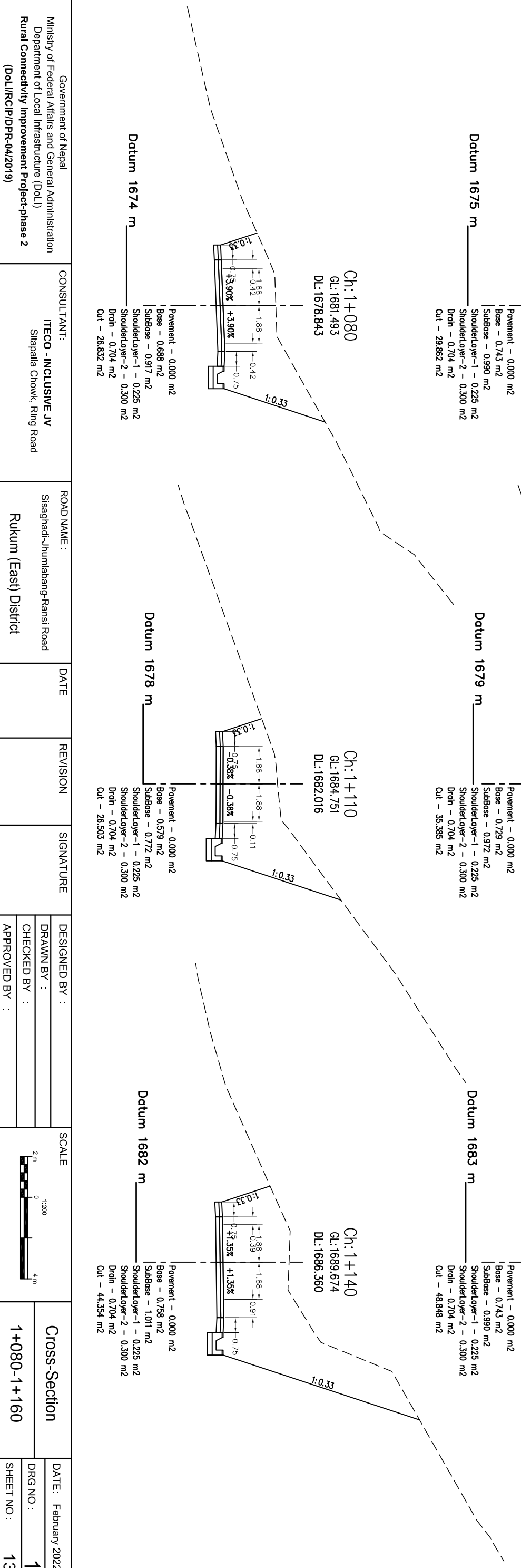
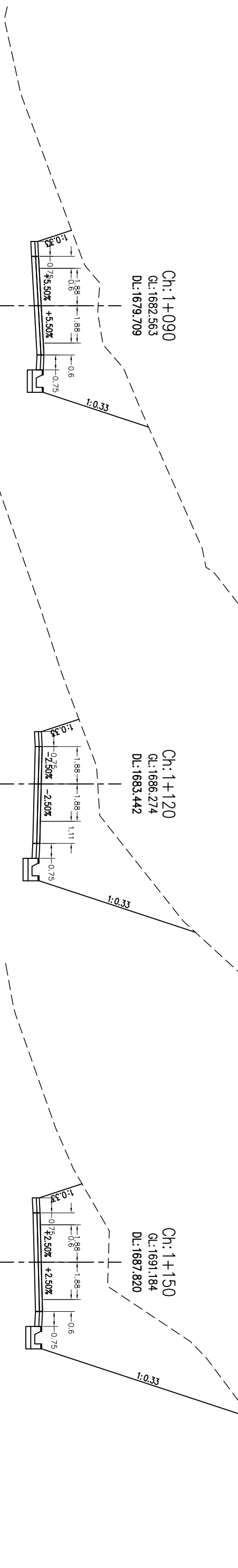
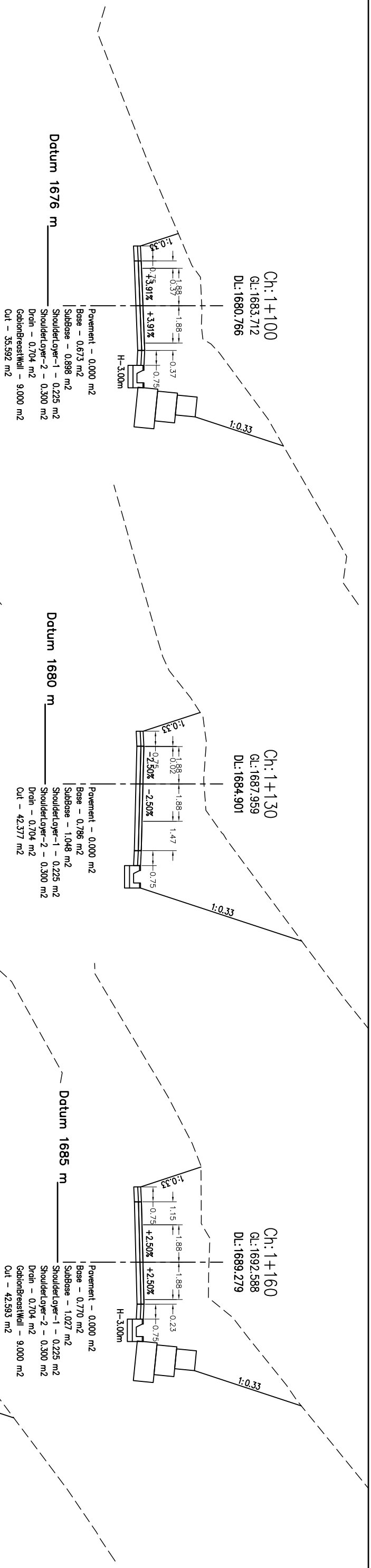




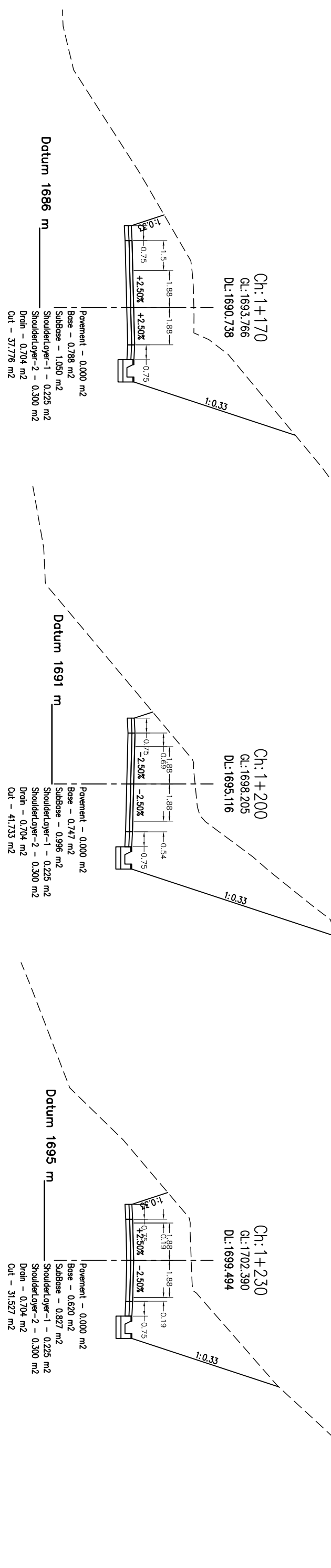
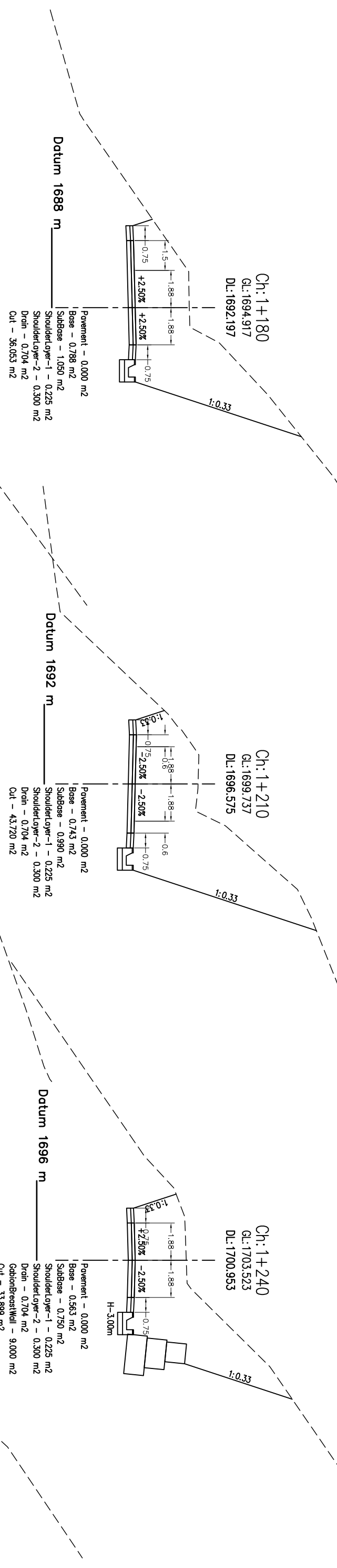
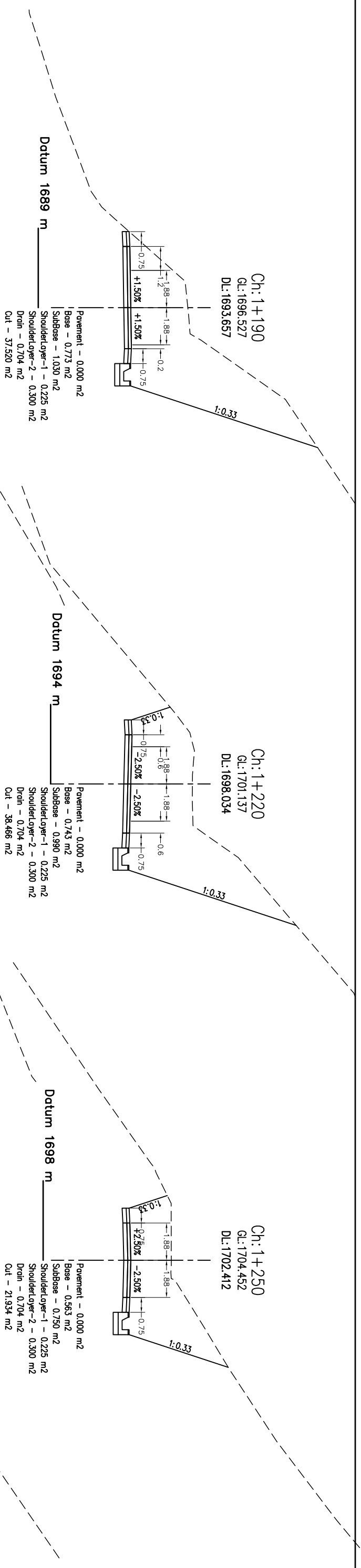
Government of Nepal Ministry of Federal Affairs and General Administration Department of Local Infrastructure (DoLI) Rural Connectivity Improvement Project-Phase 2 (DoLI/RCP/IDPR-04/2019)		CONSULTANT: ITECO - INCLUSIVE JV Sitapalla Chowk, Ring Road		ROAD NAME : Sisaghad-humlabang-Ransi Road Rukum (East) District		DATE	REVISION	SIGNATURE	DESIGNED BY :	SCALE 	Cross-Section 0+900-0+980		DATE: February 2022
								DRAWN BY :	DRG NO. : 1				
								CHECKED BY :	SHEET NO. : 11				
								APPROVED BY :					



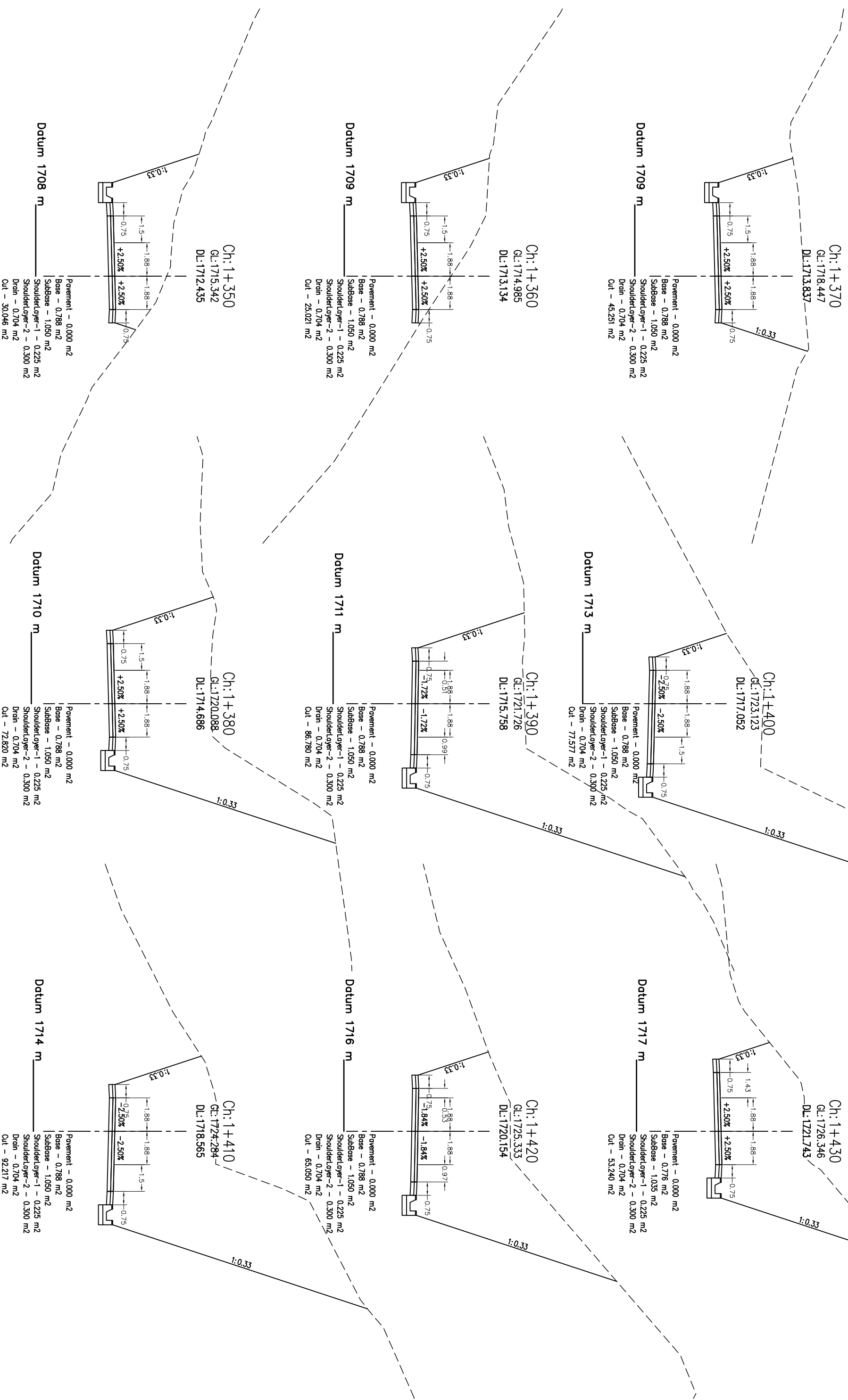
Government of Nepal Ministry of Federal Affairs and General Administration Department of Local Infrastructure (DoLI) Rural Connectivity Improvement Project-Phase 2 (DoLI/RCP/IDPR-04/2019)		CONSULTANT: ITECO - INCLUSIVE JV Sitapalla Chowk, Ring Road		ROAD NAME : Sisaghadh-Jhumbhang-Ransil Road Rukum (East) District		DATE	REVISION	SIGNATURE	DESIGNED BY :	SCALE	Cross-Section 0+990-1+070	DATE: February 2022
								DRAWN BY : CHECKED BY : APPROVED BY :		DRG NO : 1 SHEET NO : 12		



Government of Nepal Ministry of Federal Affairs and General Administration Department of Local Infrastructure (DoLI) Rural Connectivity Improvement Project-Phase 2 (DoLI/RCIP/IDPR-04/2019)		CONSULTANT: ITECO - INCLUSIVE JV Sitapalla Chowk, Ring Road		ROAD NAME : Sisaghad-humlabang-Ransi Road Rukum (East) District		DATE	REVISION	SIGNATURE	DESIGNED BY :	SCALE 	Cross-Section 1+080-1+160	DATE: February 2022
							CHECKED BY :	DRG NO. : 1				
							APPROVED BY :	SHEET NO. : 13				



Government of Nepal Ministry of Federal Affairs and General Administration Department of Local Infrastructure (DoLI) Rural Connectivity Improvement Project-Phase 2 (DoLI/RCP/IDPR-04/2019)		CONSULTANT: ITECO - INCLUSIVE JV Sitapalla Chowk, Ring Road		ROAD NAME : Sisaghadh-Jhumbhang-Ransil Road Rukum (East) District		DATE	REVISION	SIGNATURE	DESIGNED BY :	SCALE	Cross-Section 1+170-1+250	DATE: February 2022
								DRAWN BY : CHECKED BY : APPROVED BY :		DRG NO : 1 SHEET NO : 14		



Datum 1708 m

Pavement - 0.000 m2
 Base - 0.788 m2
 Subbase - 1.050 m2
 Shoulder Layer-1 - 0.225 m2
 Shoulder Layer-2 - 0.300 m2
 Drain - 0.704 m2
 Cut - 30.046 m2

Datum 1709 m

Pavement - 0.000 m2
 Base - 0.788 m2
 Subbase - 1.050 m2
 Shoulder Layer-1 - 0.225 m2
 Shoulder Layer-2 - 0.300 m2
 Drain - 0.704 m2
 Cut - 25.021 m2

Datum 1709 m

Pavement - 0.000 m2
 Base - 0.788 m2
 Subbase - 1.050 m2
 Shoulder Layer-1 - 0.225 m2
 Shoulder Layer-2 - 0.300 m2
 Drain - 0.704 m2
 Cut - 45.251 m2

Datum 1710 m

Pavement - 0.000 m2
 Base - 0.788 m2
 Subbase - 1.050 m2
 Shoulder Layer-1 - 0.225 m2
 Shoulder Layer-2 - 0.300 m2
 Drain - 0.704 m2
 Cut - 72.820 m2

Datum 1711 m

Pavement - 0.000 m2
 Base - 0.788 m2
 Subbase - 1.050 m2
 Shoulder Layer-1 - 0.225 m2
 Shoulder Layer-2 - 0.300 m2
 Drain - 0.704 m2
 Cut - 86.780 m2

Datum 1713 m

Pavement - 0.000 m2
 Base - 0.788 m2
 Subbase - 1.050 m2
 Shoulder Layer-1 - 0.225 m2
 Shoulder Layer-2 - 0.300 m2
 Drain - 0.704 m2
 Cut - 77.577 m2

Datum 1714 m

Pavement - 0.000 m2
 Base - 0.788 m2
 Subbase - 1.050 m2
 Shoulder Layer-1 - 0.225 m2
 Shoulder Layer-2 - 0.300 m2
 Drain - 0.704 m2
 Cut - 92.217 m2

Datum 1716 m

Pavement - 0.000 m2
 Base - 0.788 m2
 Subbase - 1.050 m2
 Shoulder Layer-1 - 0.225 m2
 Shoulder Layer-2 - 0.300 m2
 Drain - 0.704 m2
 Cut - 65.050 m2

Datum 1717 m

Pavement - 0.000 m2
 Base - 0.776 m2
 Subbase - 1.035 m2
 Shoulder Layer-1 - 0.225 m2
 Shoulder Layer-2 - 0.300 m2
 Drain - 0.704 m2
 Cut - 53.240 m2

Datum 1714 m

Pavement - 0.000 m2
 Base - 0.788 m2
 Subbase - 1.050 m2
 Shoulder Layer-1 - 0.225 m2
 Shoulder Layer-2 - 0.300 m2
 Drain - 0.704 m2
 Cut - 92.217 m2

Datum 1716 m

Pavement - 0.000 m2
 Base - 0.788 m2
 Subbase - 1.050 m2
 Shoulder Layer-1 - 0.225 m2
 Shoulder Layer-2 - 0.300 m2
 Drain - 0.704 m2
 Cut - 65.050 m2

Datum 1717 m

Pavement - 0.000 m2
 Base - 0.776 m2
 Subbase - 1.035 m2
 Shoulder Layer-1 - 0.225 m2
 Shoulder Layer-2 - 0.300 m2
 Drain - 0.704 m2
 Cut - 53.240 m2

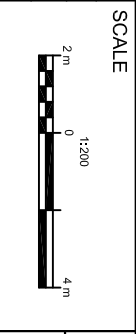
Government of Nepal
 Ministry of Federal Affairs and General Administration
 Department of Local Infrastructure (DoLI)
 Rural Connectivity Improvement Project-Phase 2
 (DoLI/RCP/IDPR-04/2019)

CONSULTANT:
ITECO - INCLUSIVE JV
 Sitapalla Chowk, Ring Road

ROAD NAME :
 Sisaghadh-Jhumbhang-Ransi Road
 Rukum (East) District

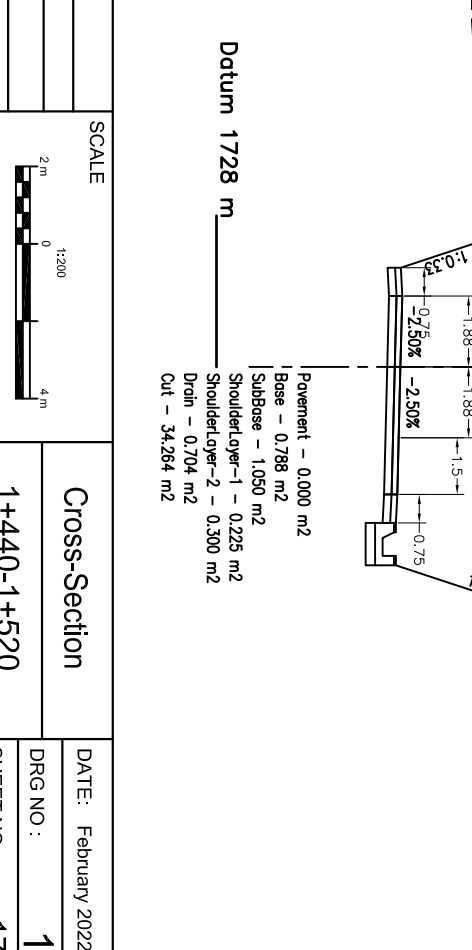
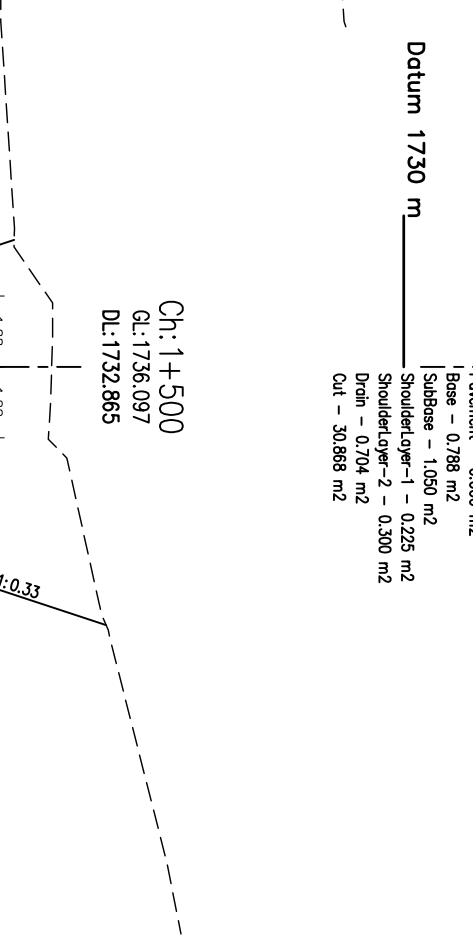
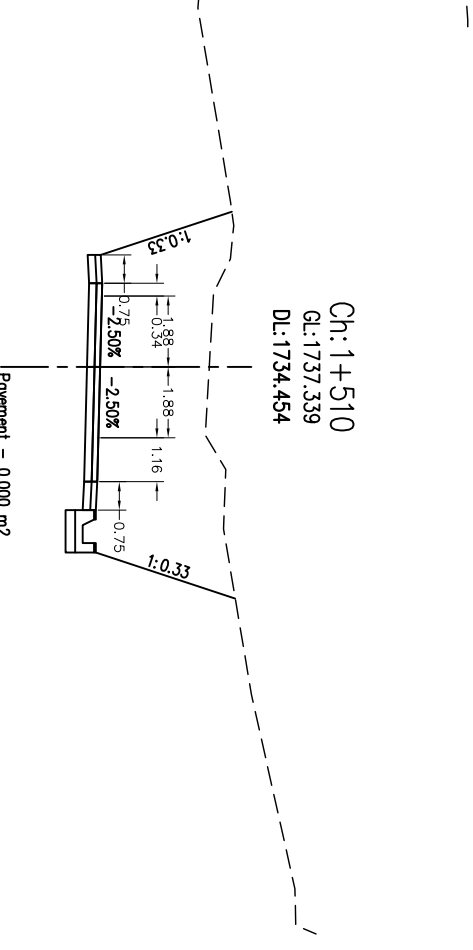
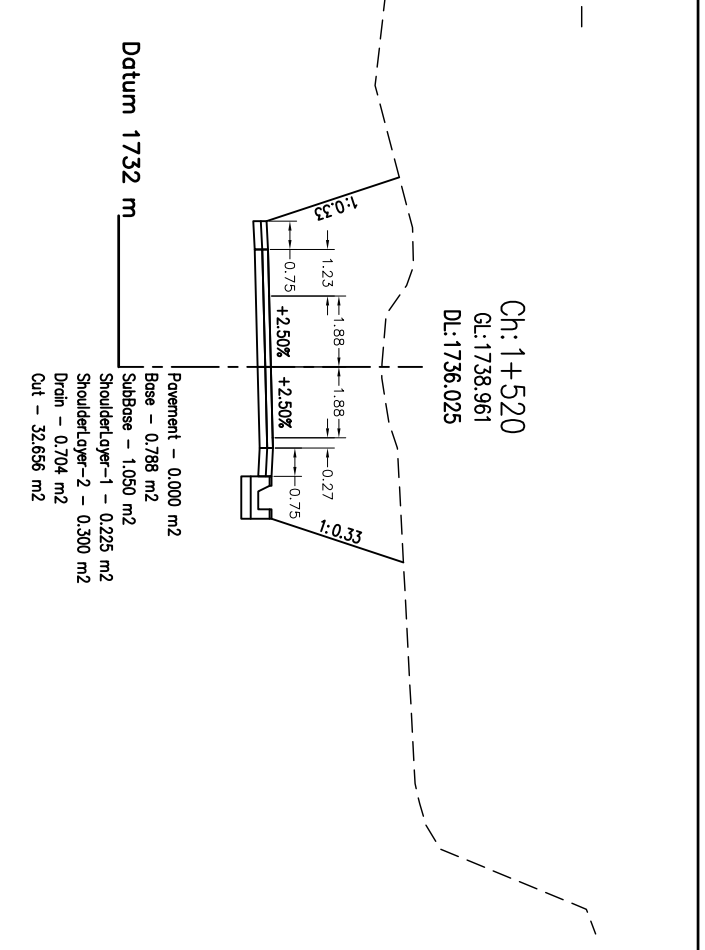
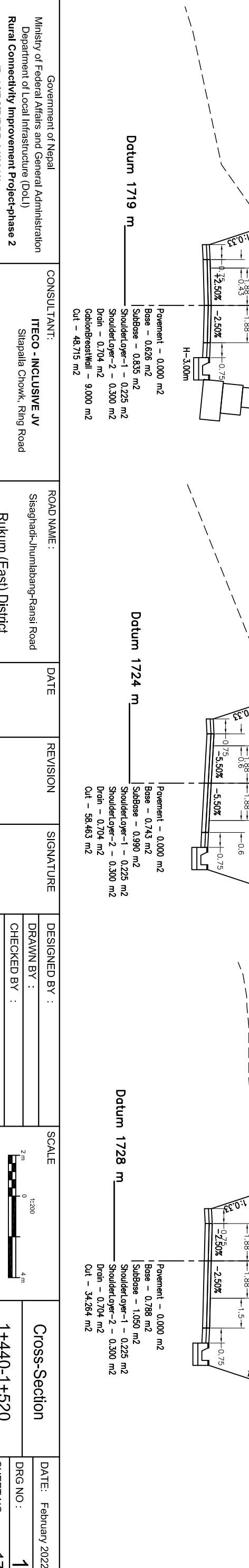
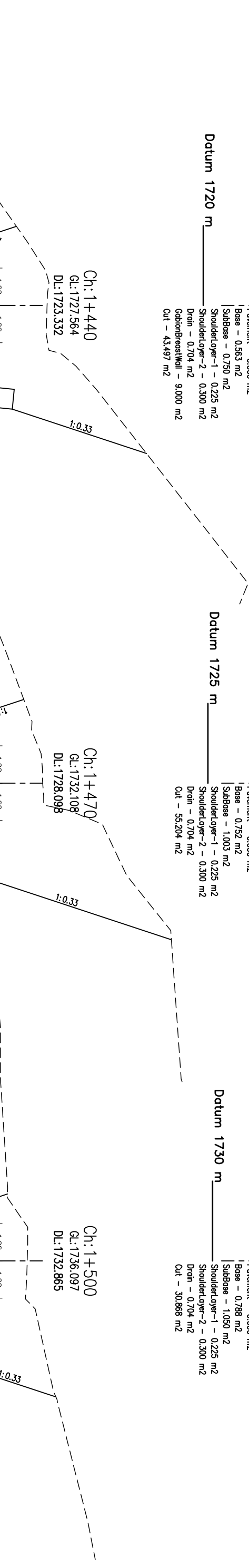
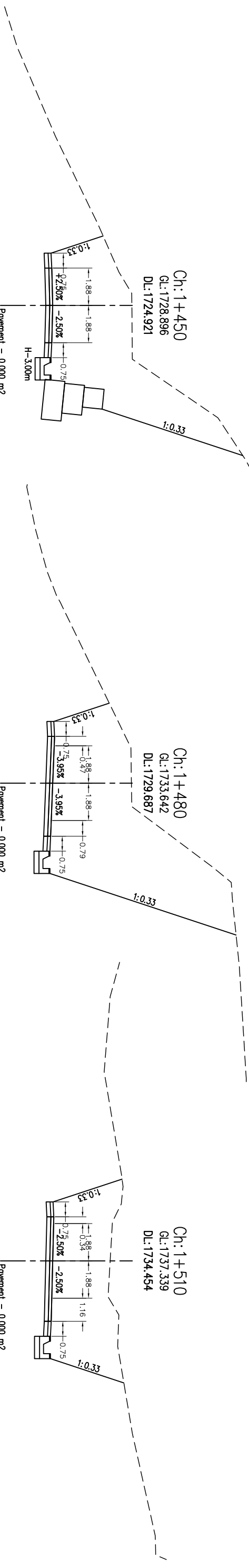
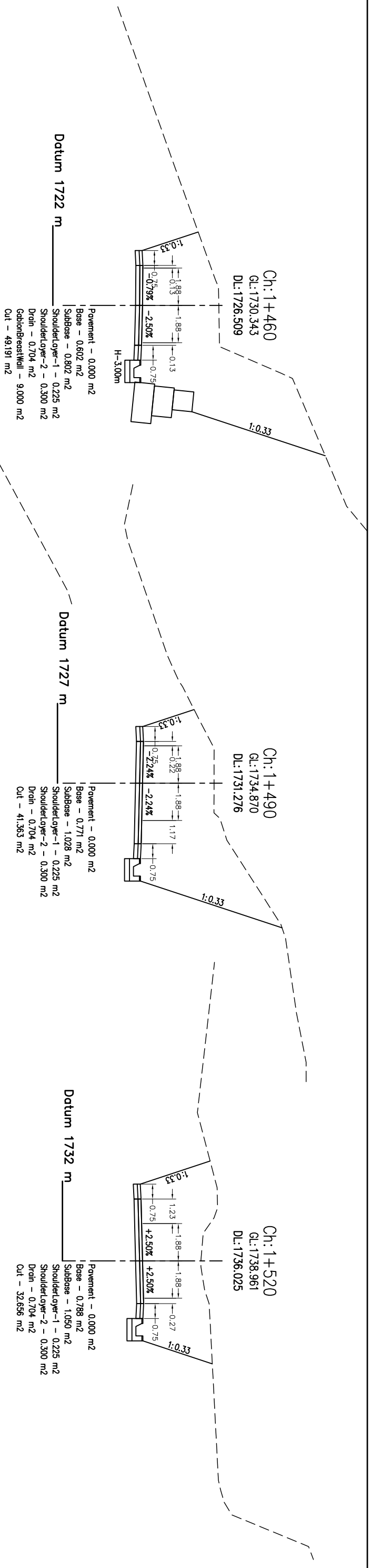
DATE
 REVISION
 SIGNATURE

DESIGNED BY :
 DRAWN BY :
 CHECKED BY :
 APPROVED BY :

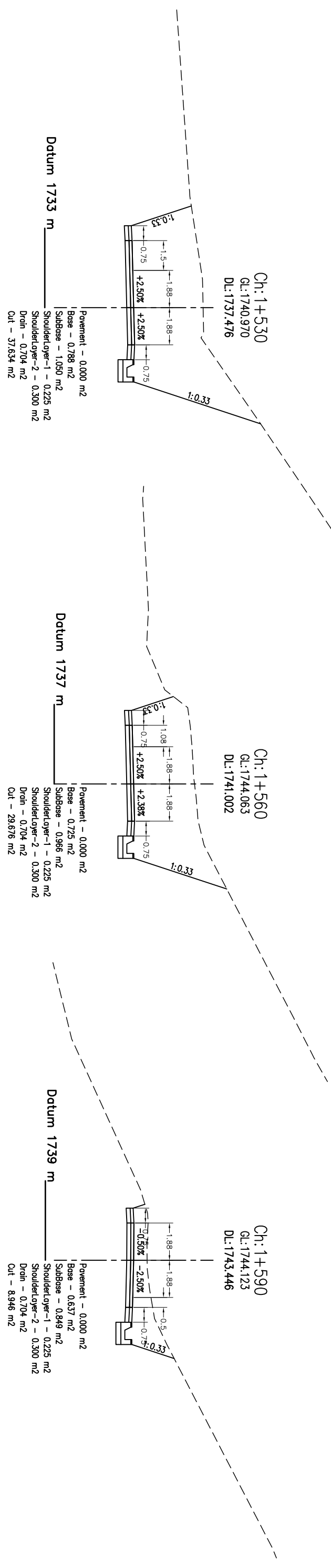
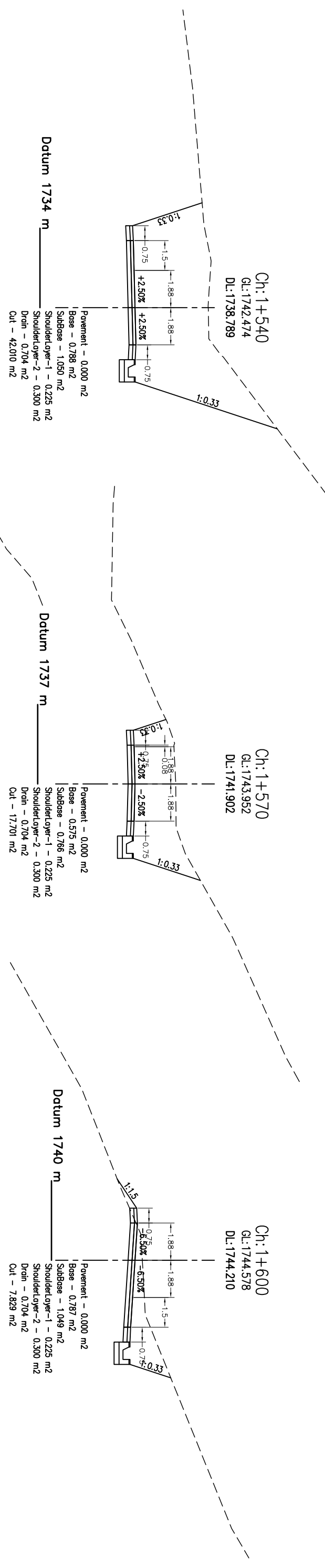
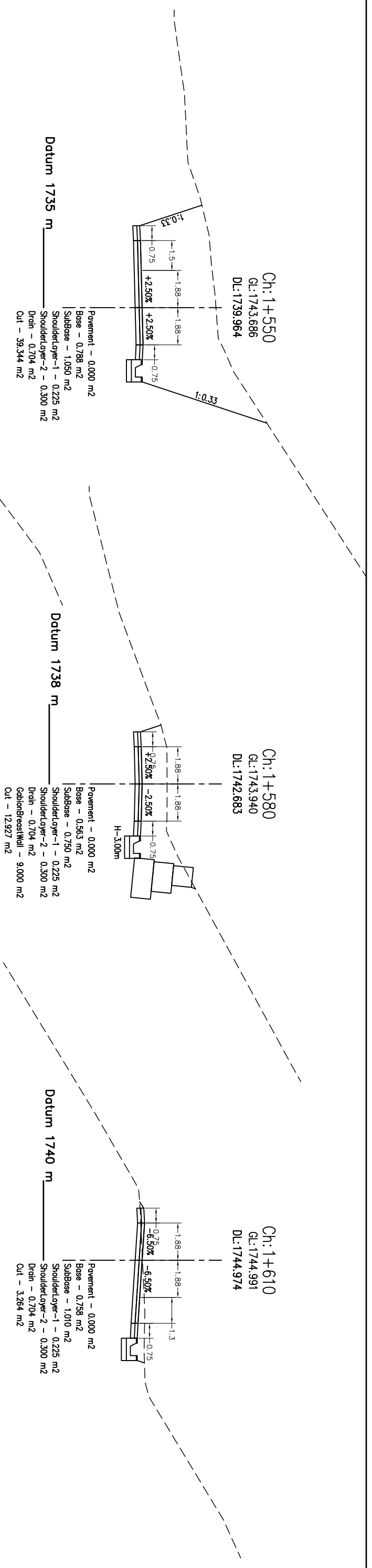


Cross-Section
1+350-1+430

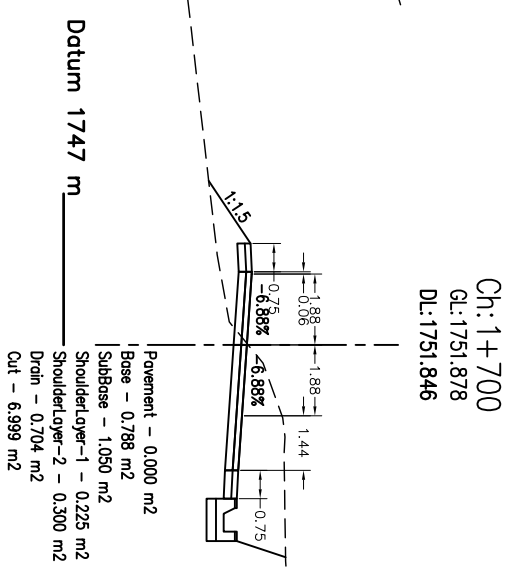
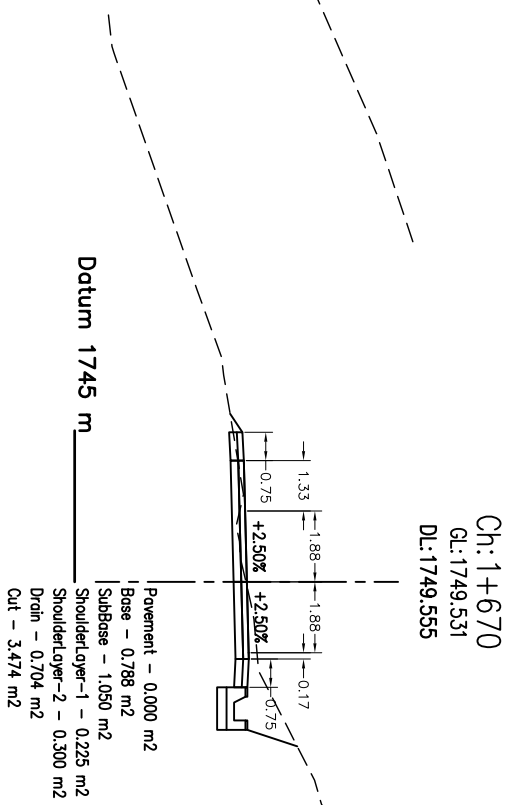
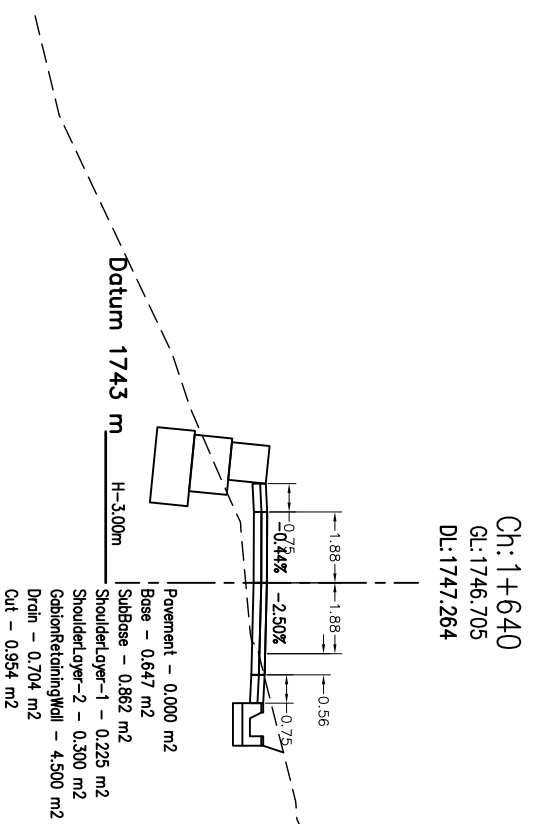
DATE: February 2022
 DRG NO : **1**
 SHEET NO : **16**



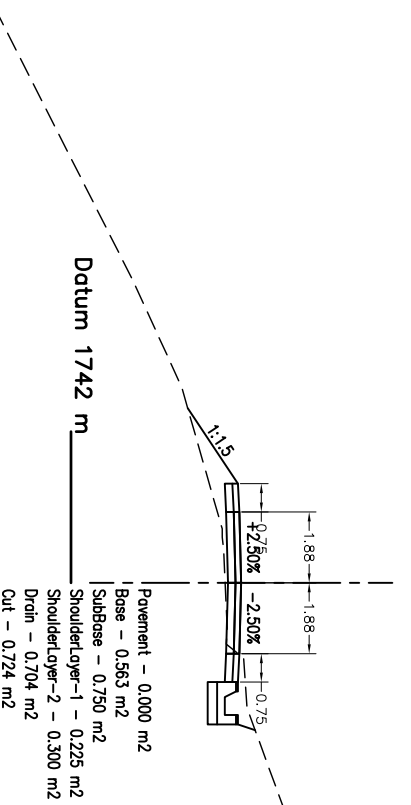
Government of Nepal Ministry of Federal Affairs and General Administration Department of Local Infrastructure (DoLI) Rural Connectivity Improvement Project-phase 2 (DoLI/RCP/IDPR-04/2019)		CONSULTANT: ITECO - INCLUSIVE JV Sitapalla Chowk, Ring Road		ROAD NAME : Sisaghadh-jhumbhang-Ransi Road		DATE		REVISION		SIGNATURE		DESIGNED BY :		SCALE 2m 0 1:200 4m		Cross-Section 1+440-1+520		DATE: February 2022	
				Rukum (East) District								DRAWN BY :						DRG NO. : 1	
												CHECKED BY :						SHEET NO. : 17	
												APPROVED BY :							



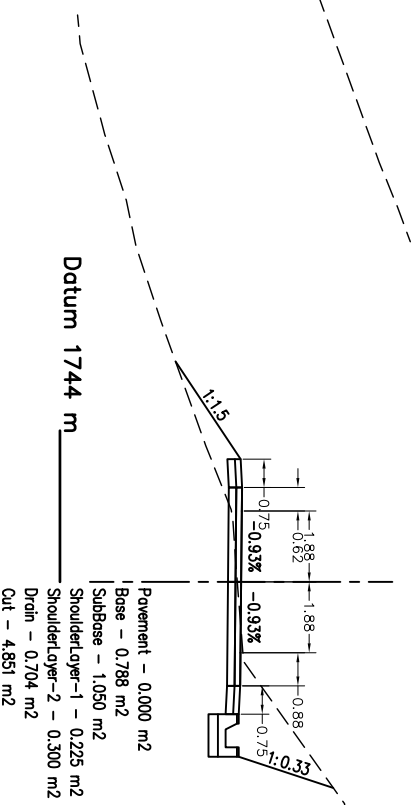
Government of Nepal Ministry of Federal Affairs and General Administration Department of Local Infrastructure (DoLI) Rural Connectivity Improvement Project-Phase 2 (DoLI/RCP/IDPR-04/2019)		CONSULTANT: ITECO - INCLUSIVE JV Sitapalla Chowk, Ring Road		ROAD NAME : Sisaghadh-Jhumbhang-Ransil Road Rukum (East) District		DATE	REVISION	SIGNATURE	DESIGNED BY :	SCALE	Cross-Section 1+530-1+610	DATE: February 2022
DRAWN BY : CHECKED BY : APPROVED BY :									2m 0 1:200 4m	DRG NO : 1 SHEET NO : 18		



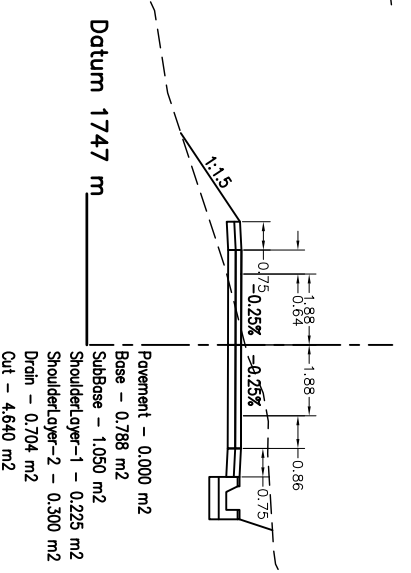
Ch: 1+630
 G.L: 1746.076
 D.L: 1746.501



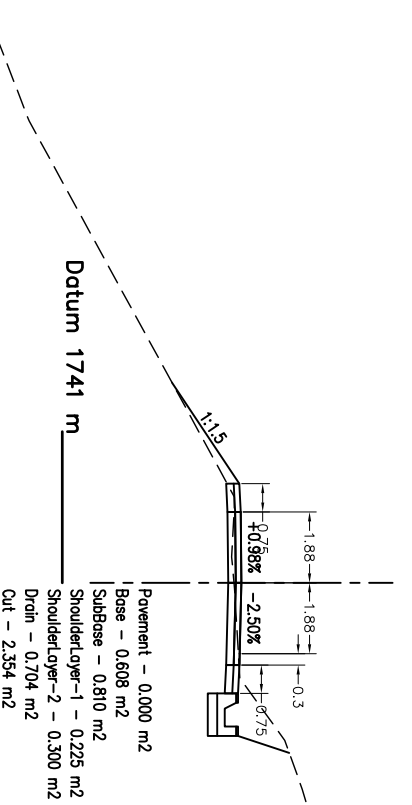
Ch: 1+660
 G.L: 1748.688
 D.L: 1748.792



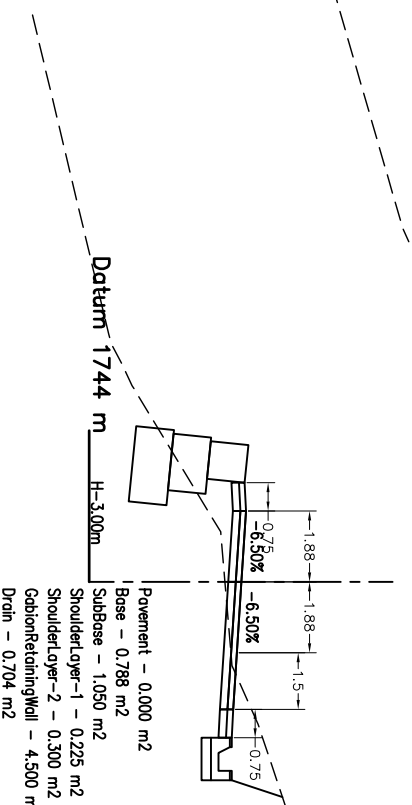
Ch: 1+690
 G.L: 1751.188
 D.L: 1751.082



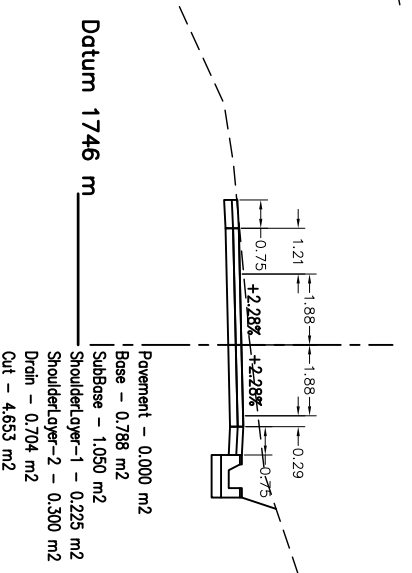
Ch: 1+620
 G.L: 1745.540
 D.L: 1745.737



Ch: 1+650
 G.L: 1747.589
 D.L: 1748.028



Ch: 1+680
 G.L: 1750.545
 D.L: 1750.319



Government of Nepal
 Ministry of Federal Affairs and General Administration
 Department of Local Infrastructure (DoLI)
 Rural Connectivity Improvement Project-Phase 2
 (DoLI/RCIP/DPR-04/2019)

CONSULTANT:
ITECO - INCLUSIVE JV
 Sitapalla Chowk, Ring Road

ROAD NAME :
 Sisaghadhi-Jhumlabang-Ransi Road
 Rukum (East) District

DATE

REVISION

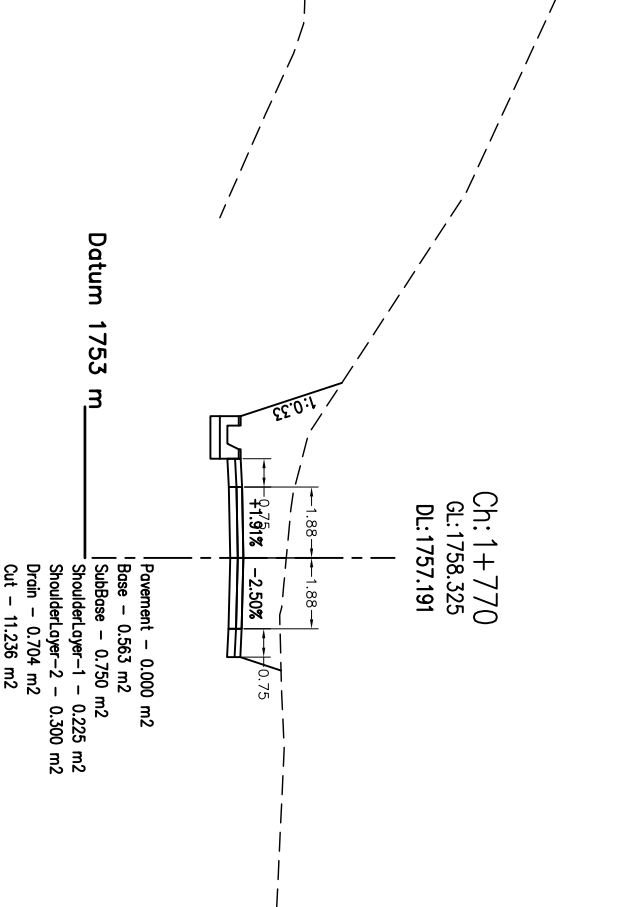
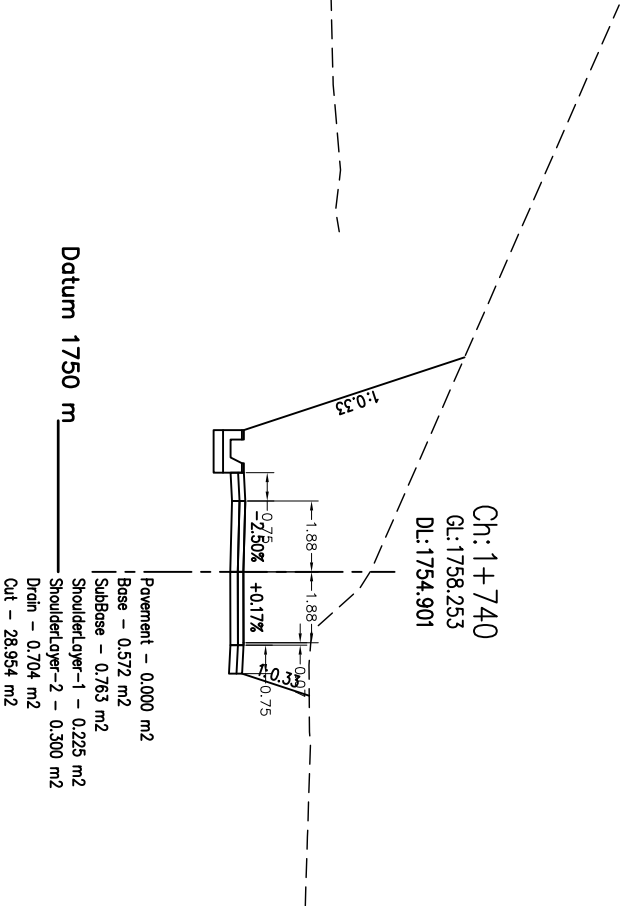
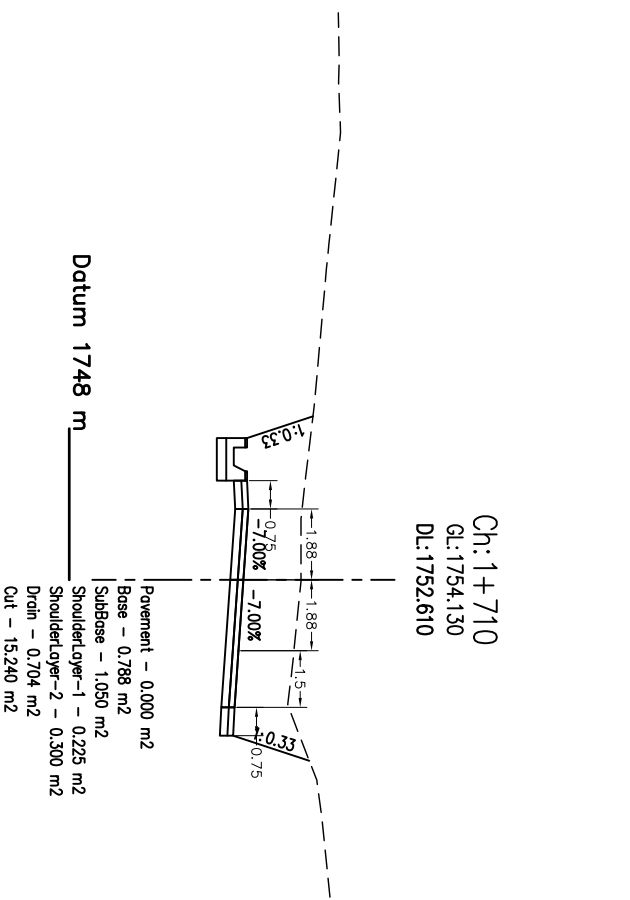
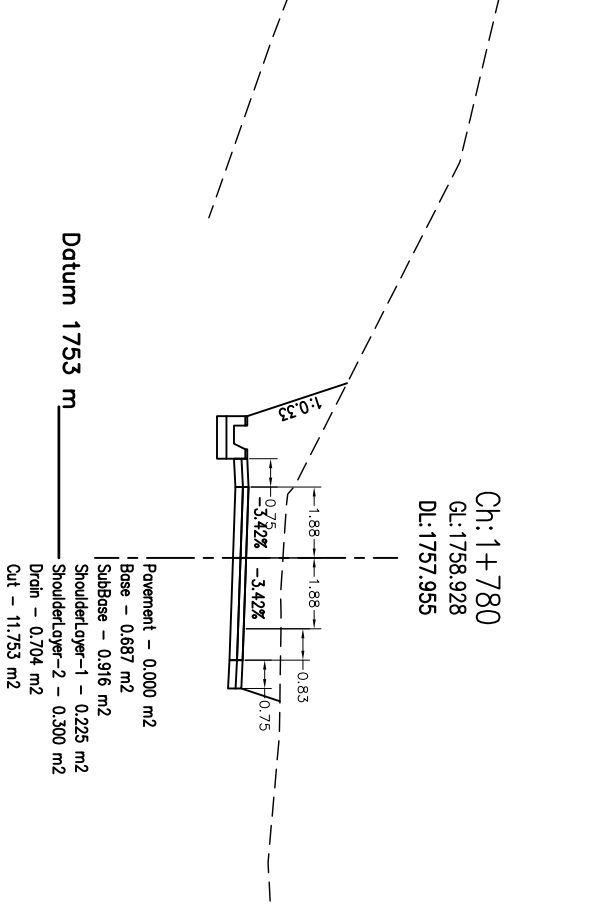
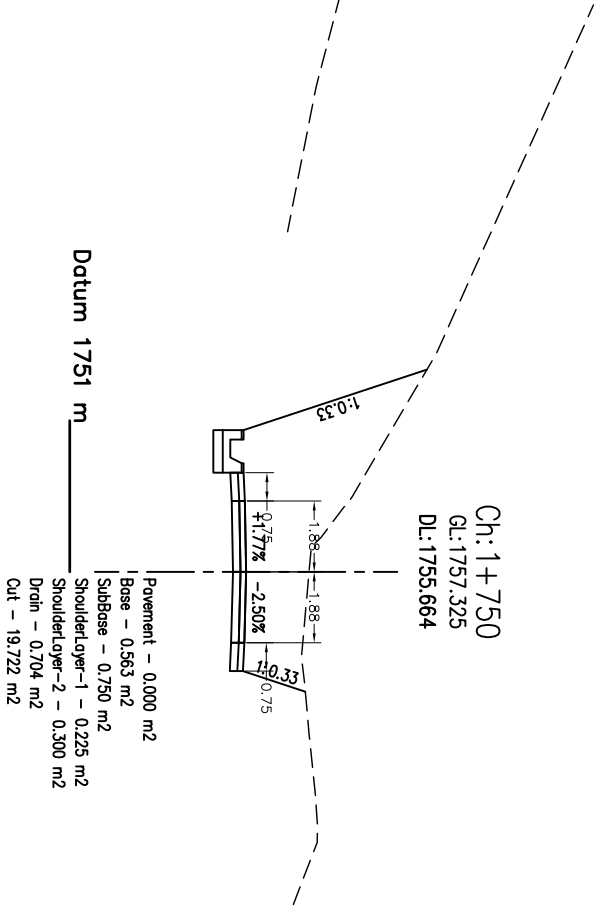
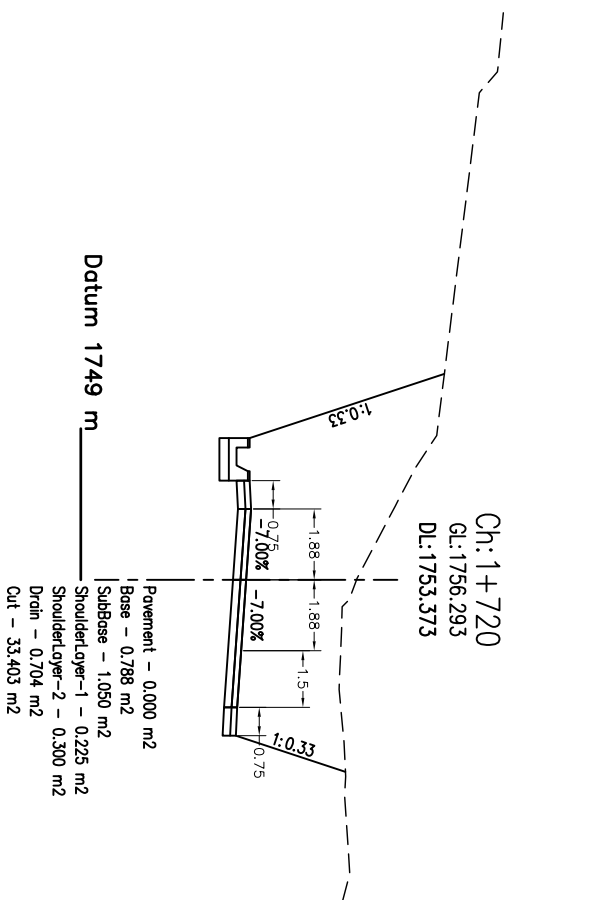
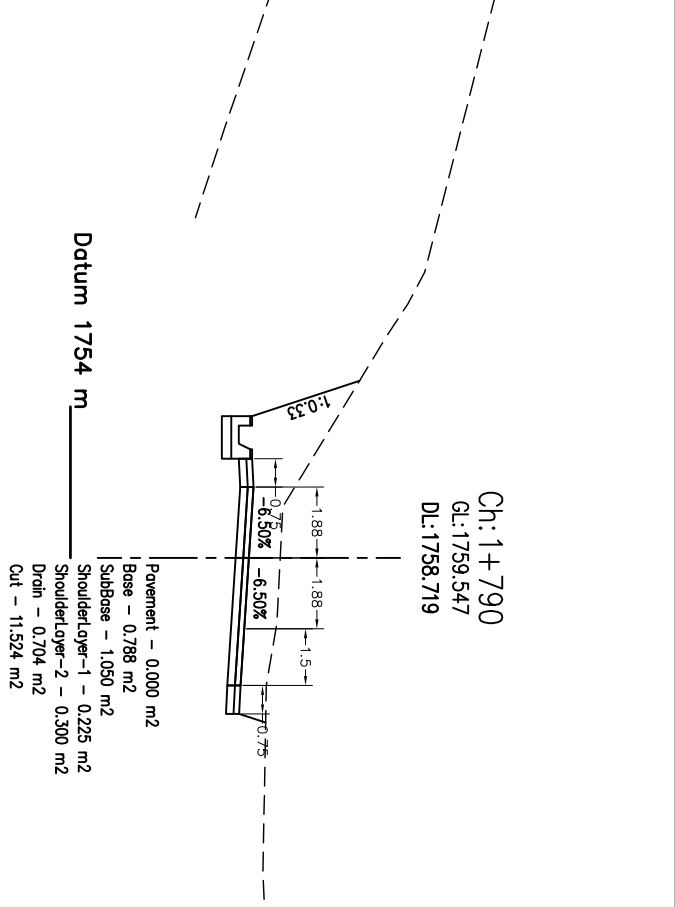
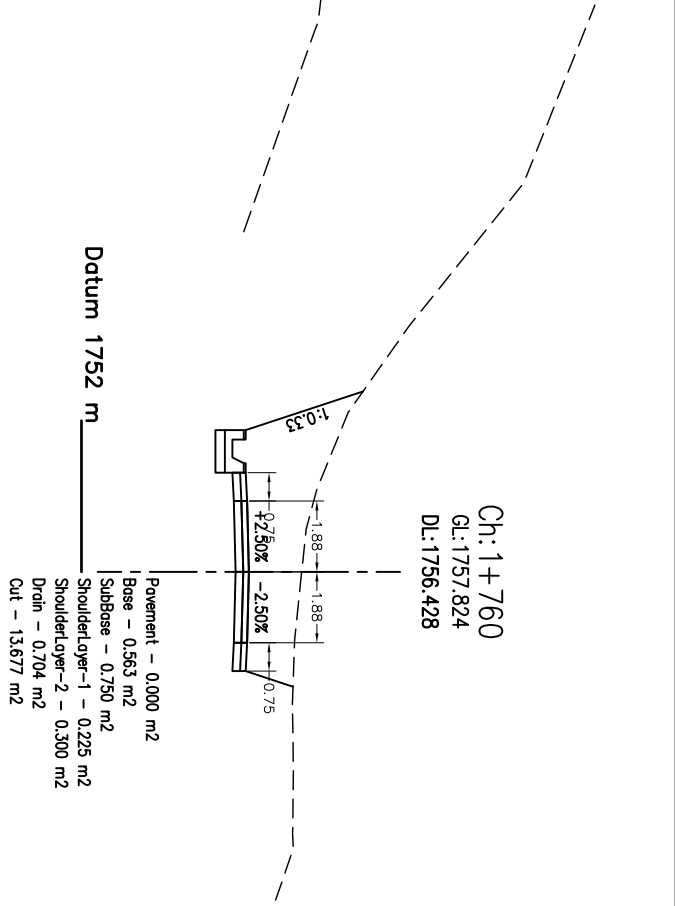
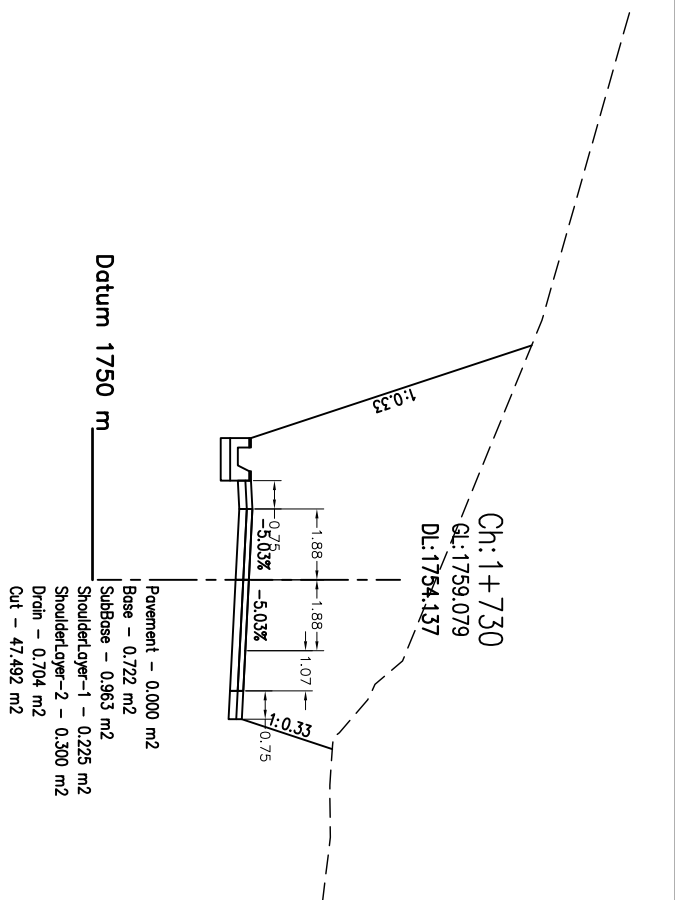
SIGNATURE

DESIGNED BY :
 DRAWN BY :
 CHECKED BY :
 APPROVED BY :

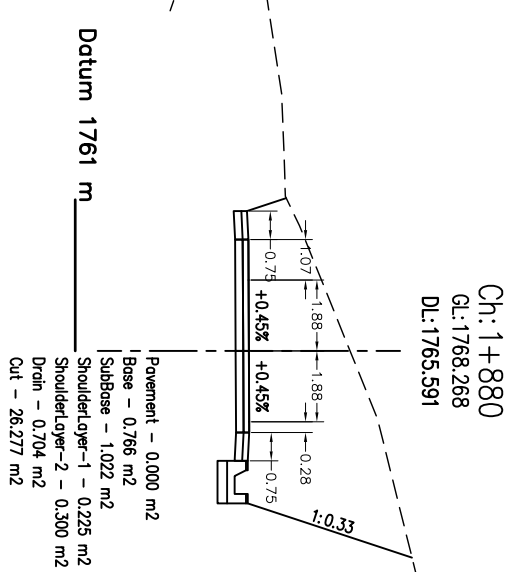
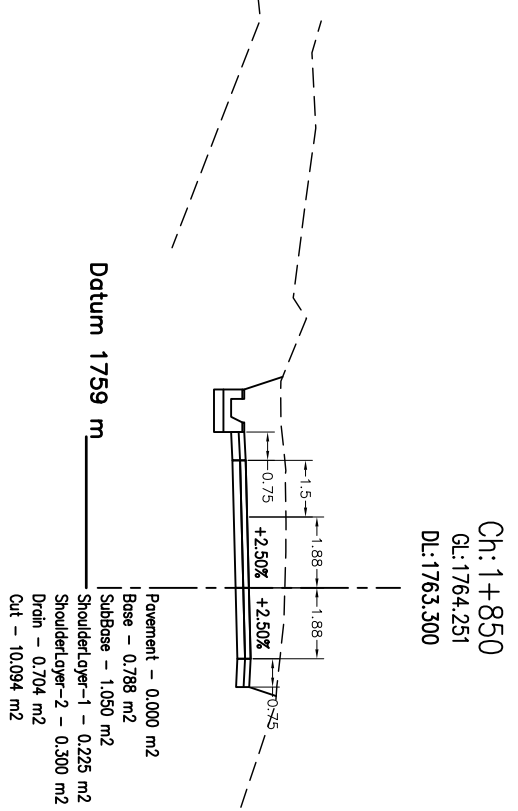
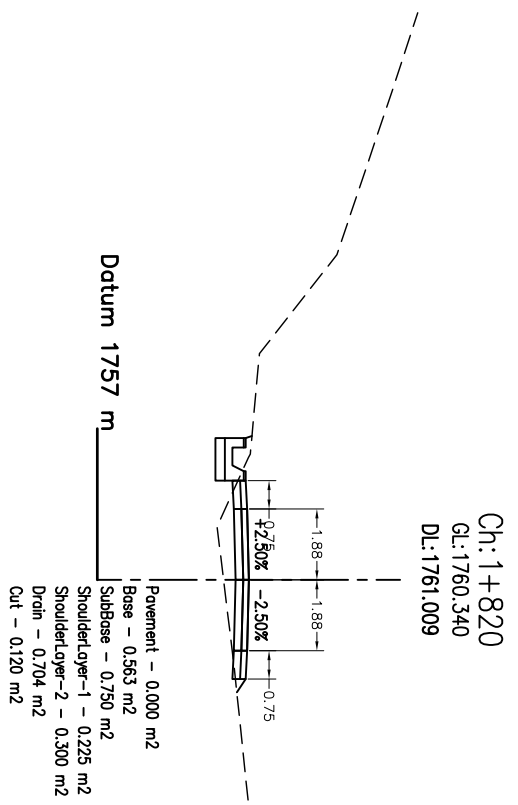
SCALE

Cross-Section
 1+620-1+700

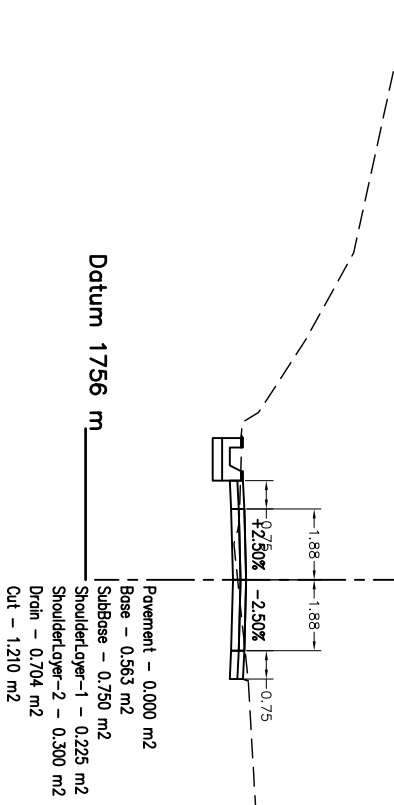
DATE: February 2022
 DRG NO : **1**
 SHEET NO : **19**



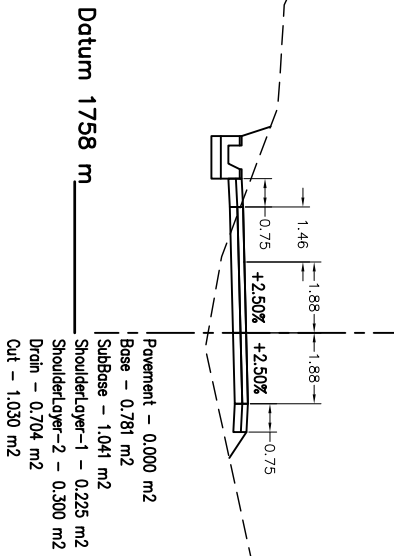
Government of Nepal Ministry of Federal Affairs and General Administration Department of Local Infrastructure (DoLI) Rural Connectivity Improvement Project-Phase 2 (DoLI/RCIP/DPR-04/2019)		CONSULTANT: ITECO - INCLUSIVE JV Sitapalla Chowk, Ring Road		ROAD NAME : Sisaghadh-Jhumbhang-Ransil Road Rukum (East) District		DATE	REVISION	SIGNATURE	DESIGNED BY :	SCALE	Cross-Section 1+770-1+790	DATE: February 2022
DRAWN BY : CHECKED BY : APPROVED BY :										DRG NO. : 1		SHEET NO. : 20



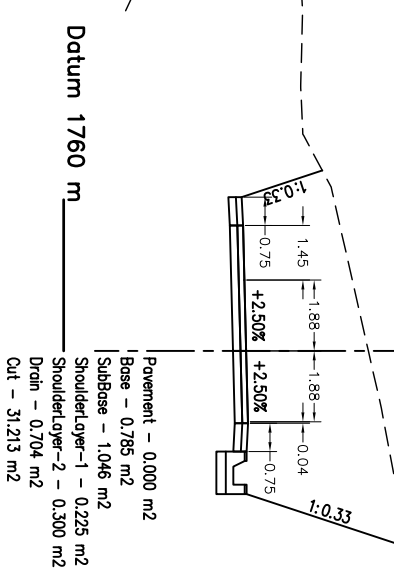
Ch: 1+810
 G.L: 1760.021
 D.L: 1760.246



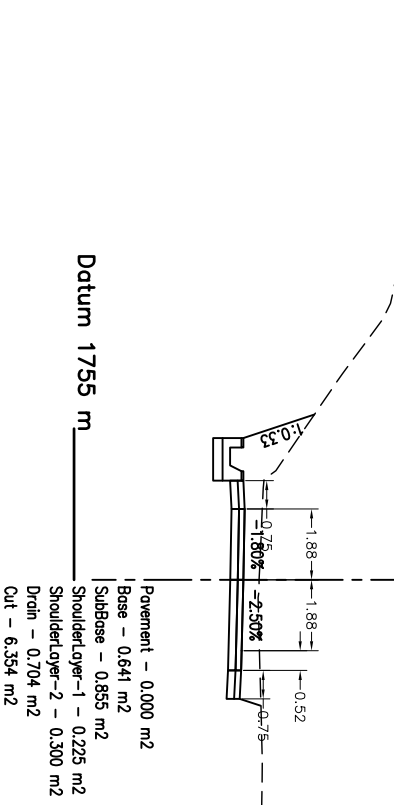
Ch: 1+840
 G.L: 1761.529
 D.L: 1762.537



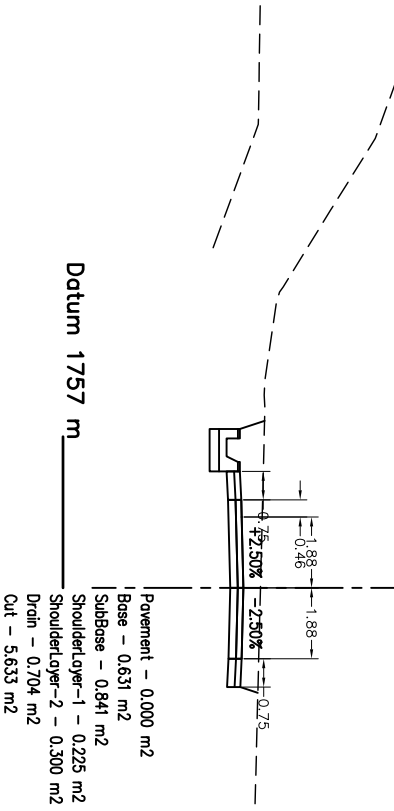
Ch: 1+870
 G.L: 1768.060
 D.L: 1764.827



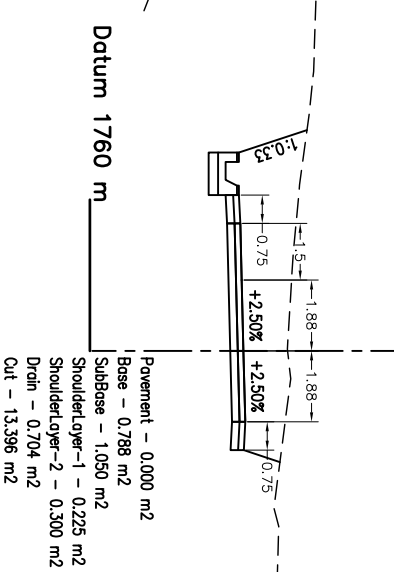
Ch: 1+800
 G.L: 1759.896
 D.L: 1759.482



Ch: 1+830
 G.L: 1762.222
 D.L: 1761.773



Ch: 1+860
 G.L: 1765.231
 D.L: 1764.064



Government of Nepal
 Ministry of Federal Affairs and General Administration
 Department of Local Infrastructure (DoLI)
 Rural Connectivity Improvement Project-Phase 2
 (DoLI/RICIP/IDPR-04/2019)

CONSULTANT:
ITECO - INCLUSIVE JV
 Sitapalla Chowk, Ring Road

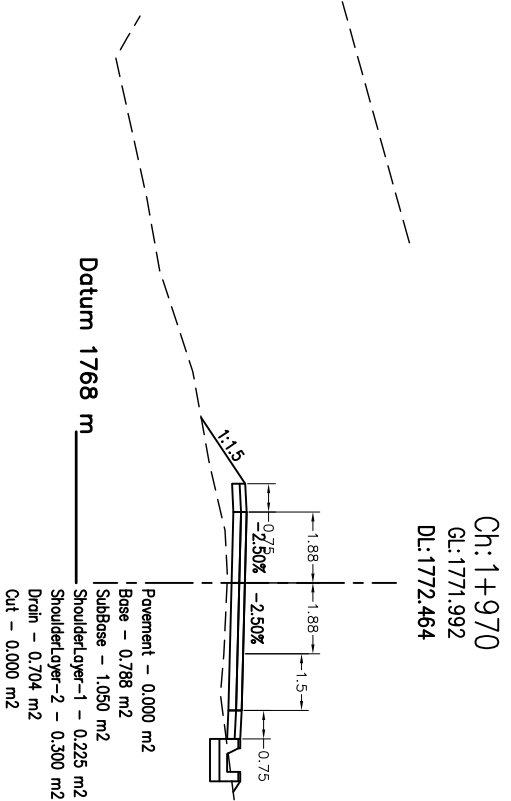
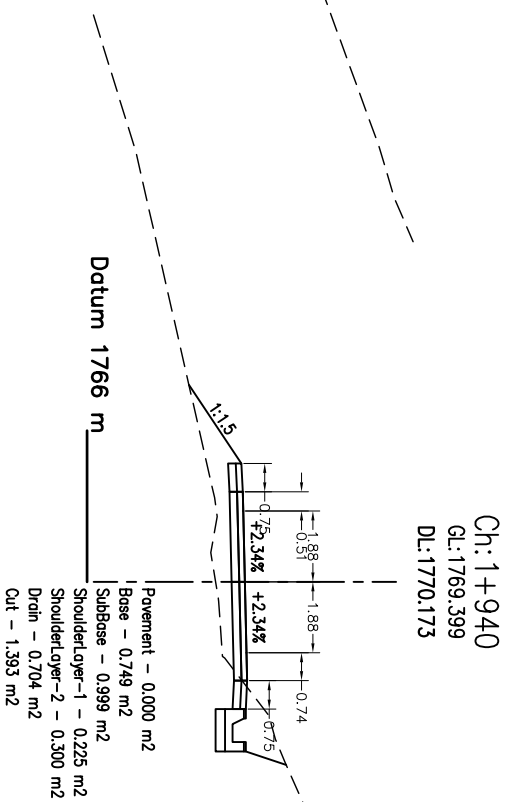
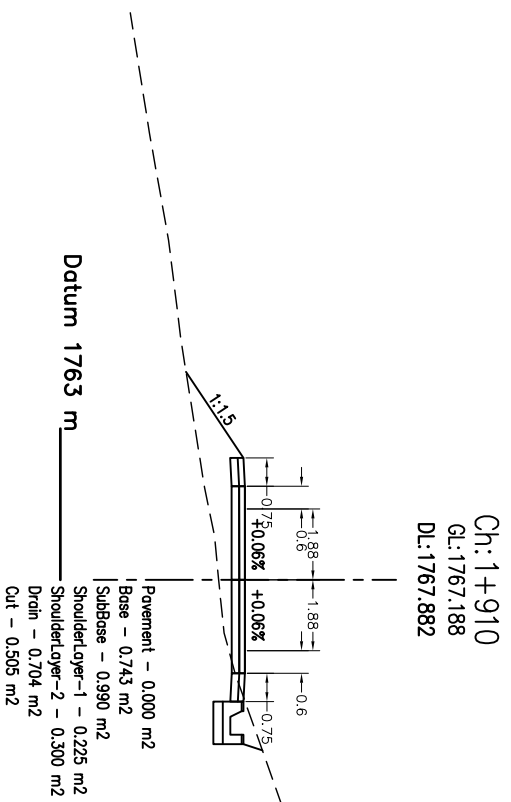
ROAD NAME :
 Sisaghadh-Jhunjhang-Ransi Road
 Rukum (East) District

DATE
 REVISION
 SIGNATURE

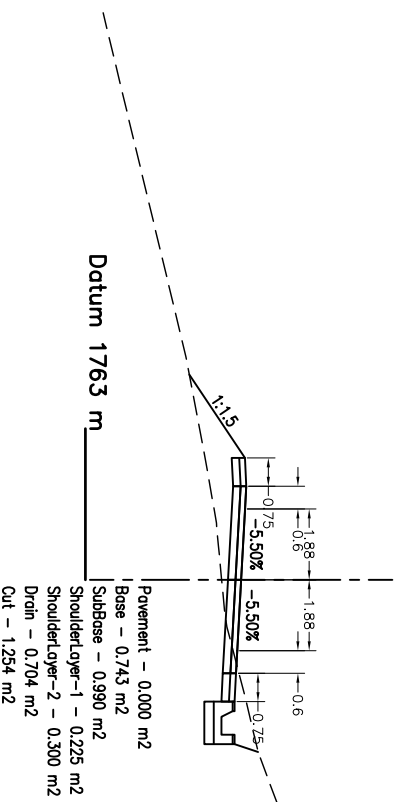
DESIGNED BY :
 DRAWN BY :
 CHECKED BY :
 APPROVED BY :

SCALE

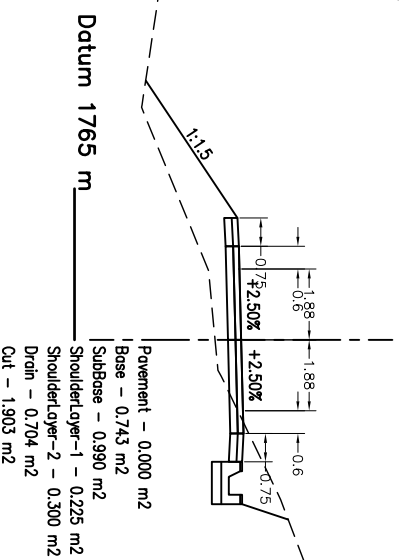
Cross-Section
1+800-1+880
 DATE: February 2022
 DRG NO : **1**
 SHEET NO : **21**



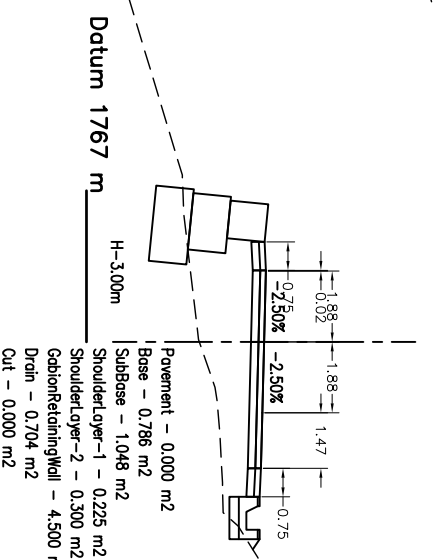
Ch: 1+900
 G.L: 1766.602
 D.L: 1767.118



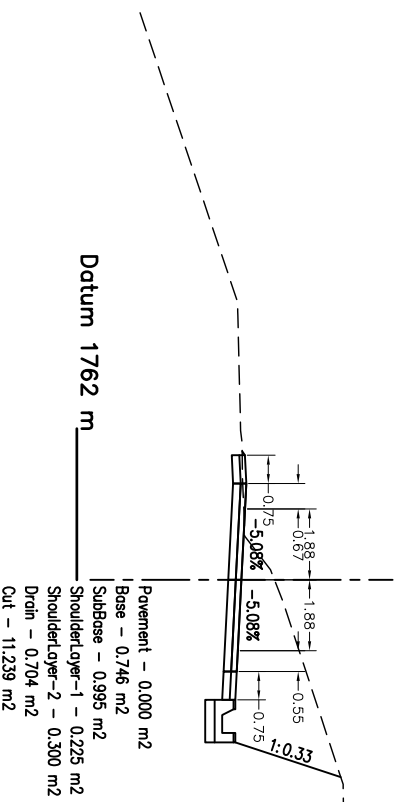
Ch: 1+930
 G.L: 1768.719
 D.L: 1769.409



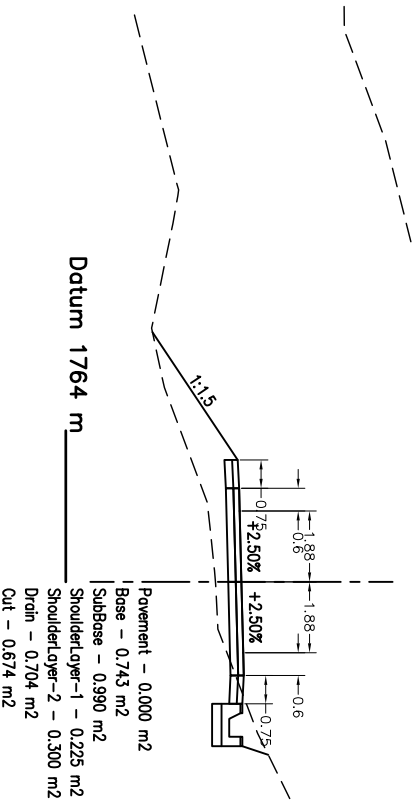
Ch: 1+960
 G.L: 1769.985
 D.L: 1771.700



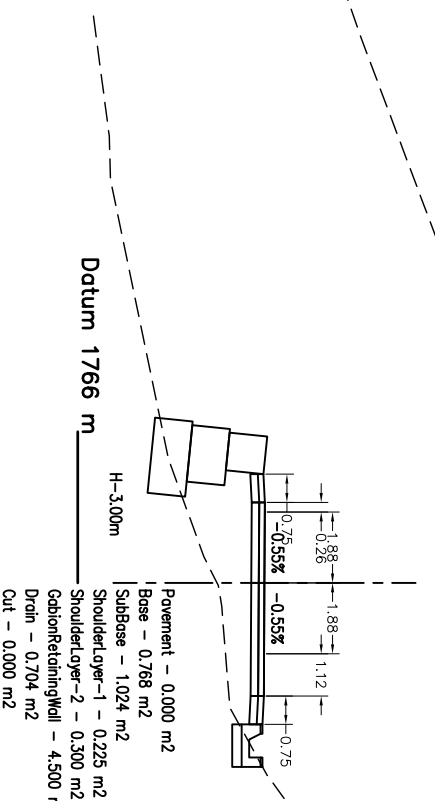
Ch: 1+890
 G.L: 1767.225
 D.L: 1766.355



Ch: 1+920
 G.L: 1767.957
 D.L: 1768.646



Ch: 1+950
 G.L: 1769.682
 D.L: 1770.936



Government of Nepal
 Ministry of Federal Affairs and General Administration
 Department of Local Infrastructure (DoLI)
 Rural Connectivity Improvement Project-Phase 2
 (DoLI/RCP/IDPR-04/2019)

CONSU/TANT:
 ITECO - INCLUSIVE JV
 Sitapalla Chowk, Ring Road

ROAD NAME :
 Sisaghadh-Jhumlabang-Ransi Road

Rukum (East) District

DATE

REVISION

SIGNATURE

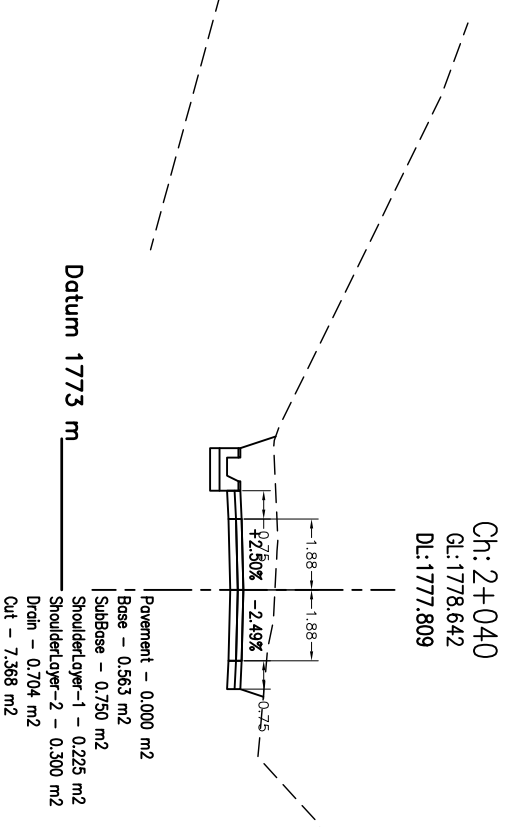
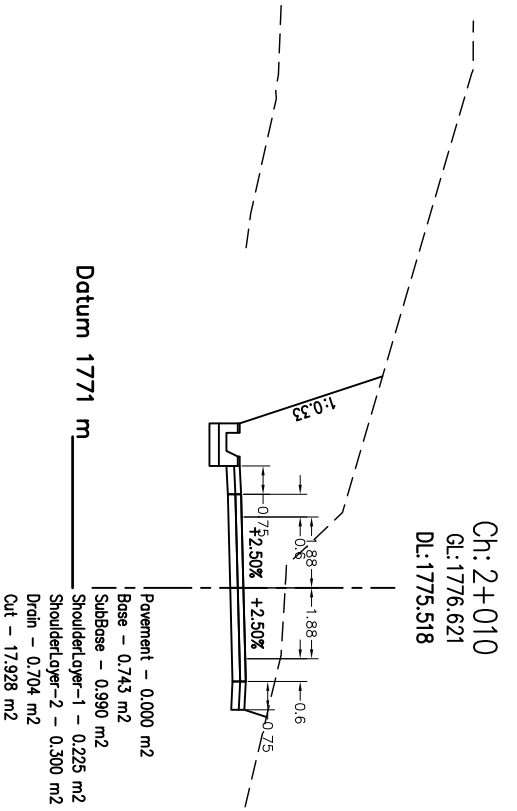
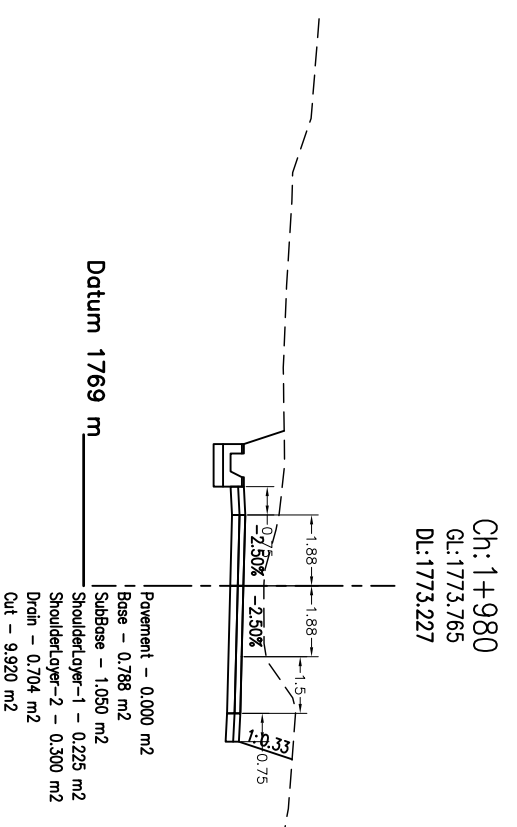
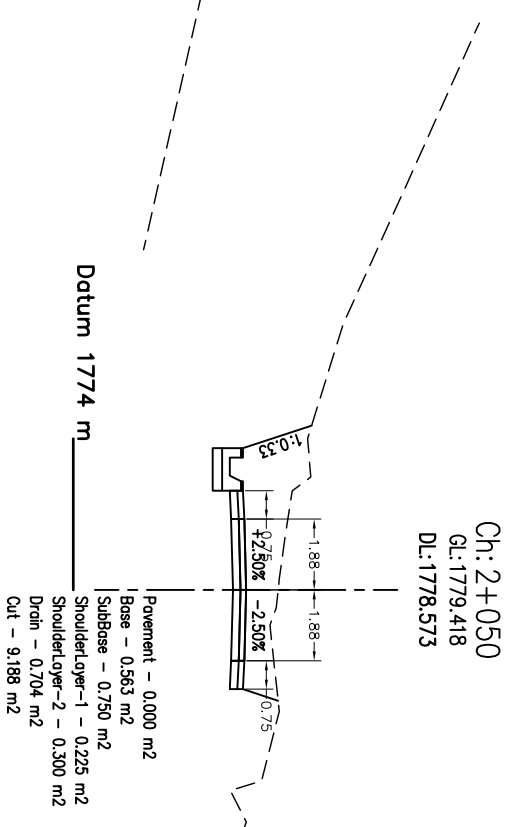
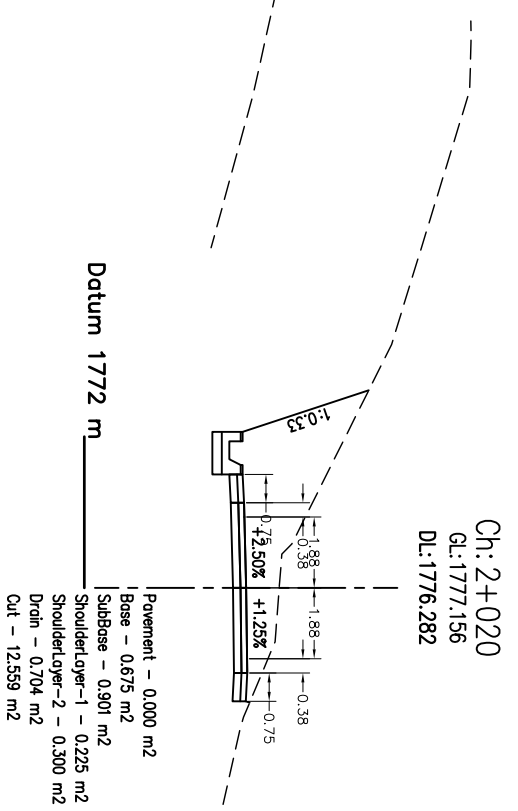
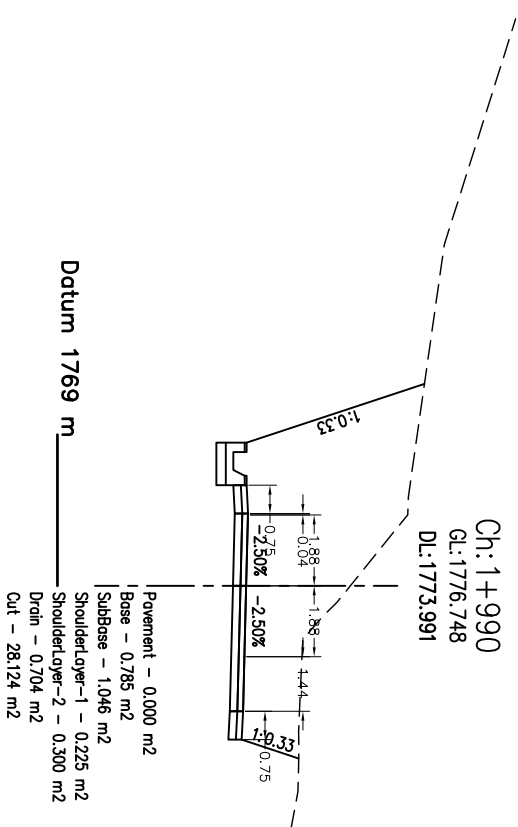
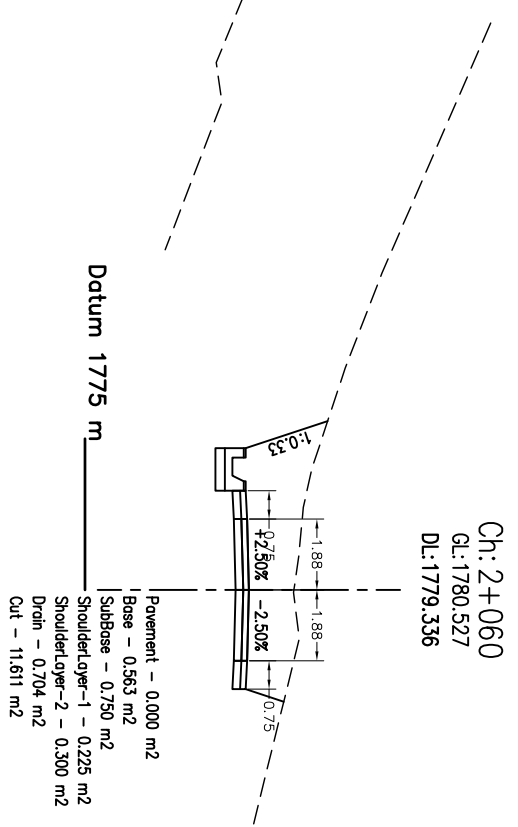
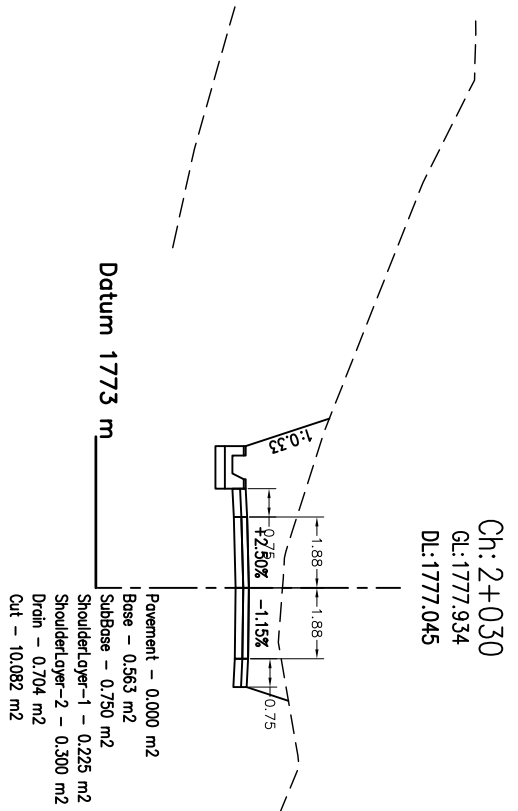
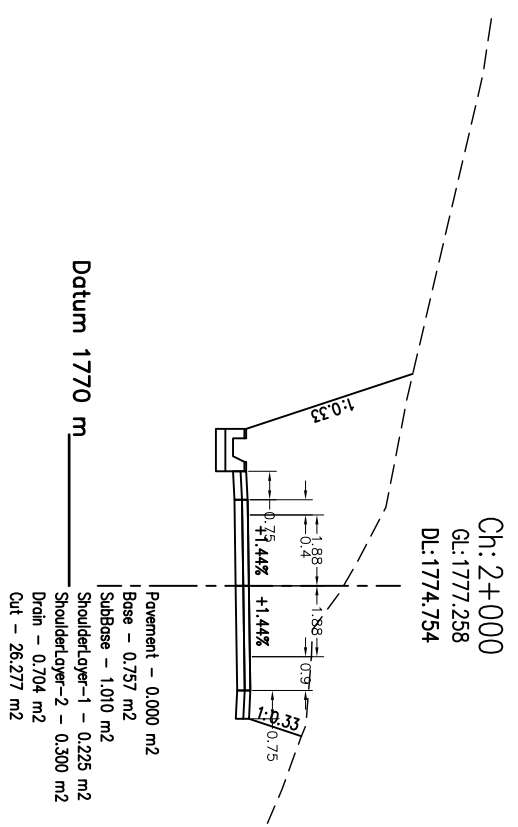
DESIGNED BY :
 DRAWN BY :
 CHECKED BY :
 APPROVED BY :

SCALE

 2m
 0
 1:200
 4m

Cross-Section
 1+890-1+970

DATE: February 2022
 DRG NO : 1
 SHEET NO : 22



Government of Nepal
 Ministry of Federal Affairs and General Administration
 Department of Local Infrastructure (DoLI)
 Rural Connectivity Improvement Project-phase 2
 (DoLI/RCI/IDPR-04/2019)

CONSULTANT:
ITECO - INCLUSIVE JV
 Sitapalla Chowk, Ring Road

ROAD NAME :
 Sisaghadh-Jhunjhang-Ransi Road

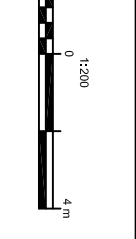
Rukum (East) District

DATE

REVISION

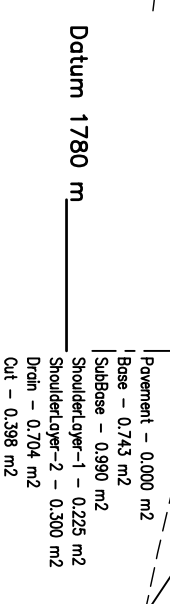
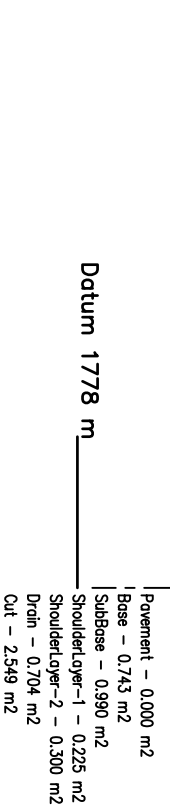
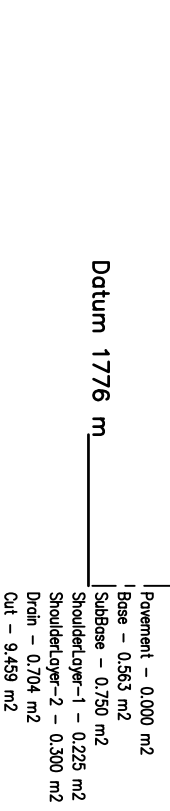
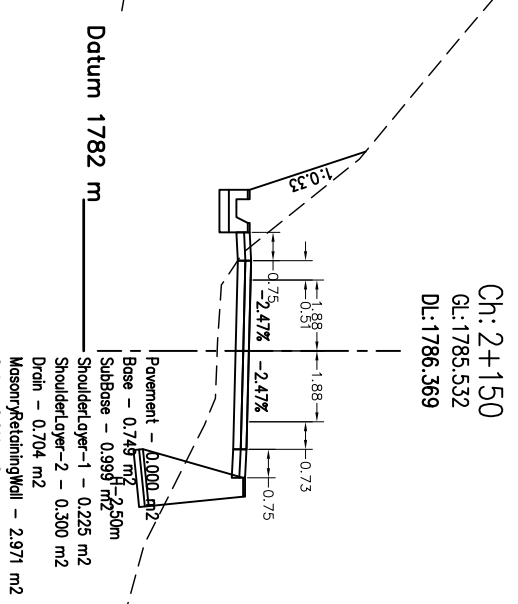
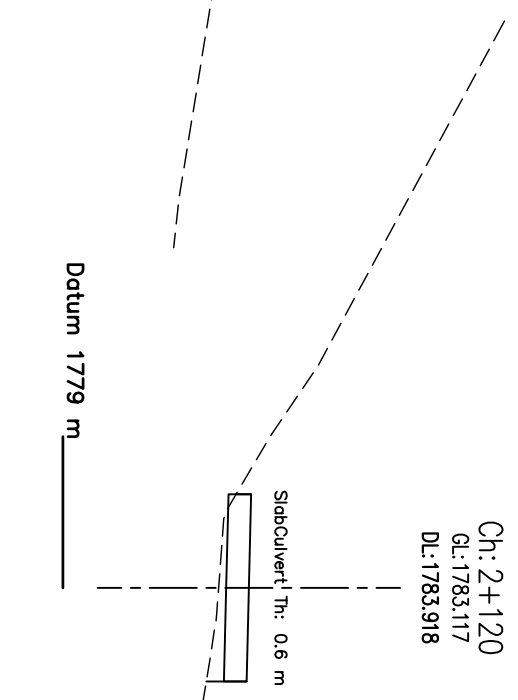
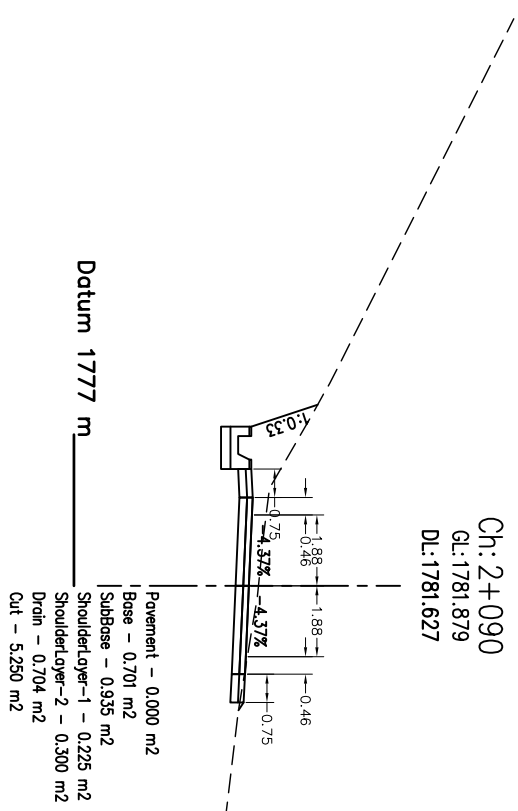
SIGNATURE

DESIGNED BY :
 DRAWN BY :
 CHECKED BY :
 APPROVED BY :



Cross-Section
 1+980-2+060

DATE: February 2022
 DRG NO. : **1**
 SHEET NO. : **23**



Government of Nepal
 Ministry of Federal Affairs and General Administration
 Department of Local Infrastructure (DoLI)
 Rural Connectivity Improvement Project-Phase 2
 (DoLI/RCIP/DPR-04/2019)

CONSULTANT:
ITECO - INCLUSIVE JV
 Sitapalla Chowk, Ring Road

ROAD NAME :
 Sisaghadh-Jhumbhang-Ransil Road

Rukum (East) District

DATE

REVISION

SIGNATURE

DESIGNED BY :

DRAWN BY :

CHECKED BY :

APPROVED BY :

SCALE



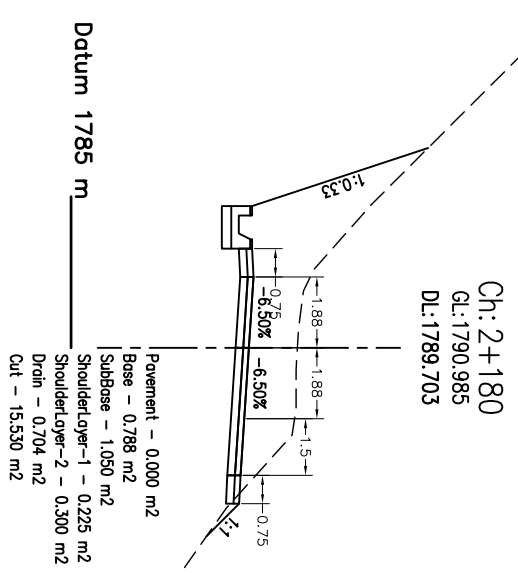
Cross-Section

2+070-2+150

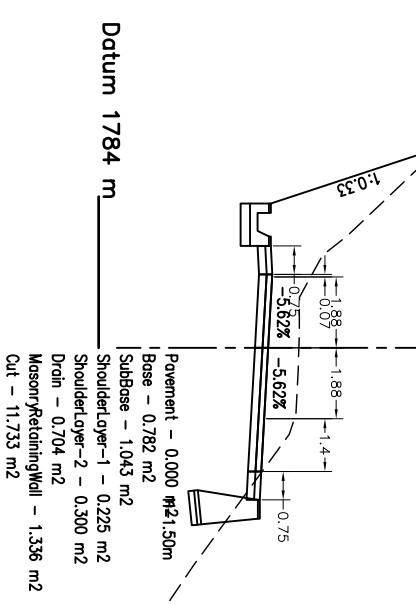
DATE: February 2022

DRG NO. : 1

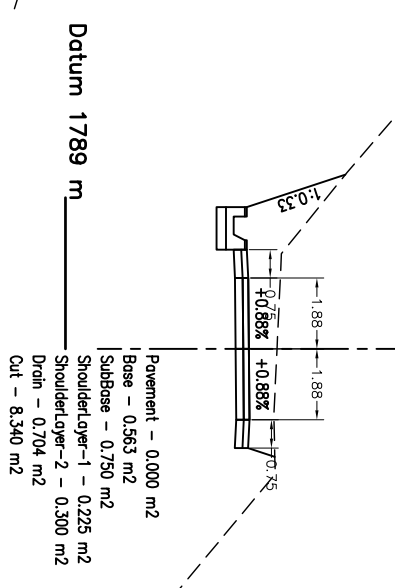
SHEET NO. : 24



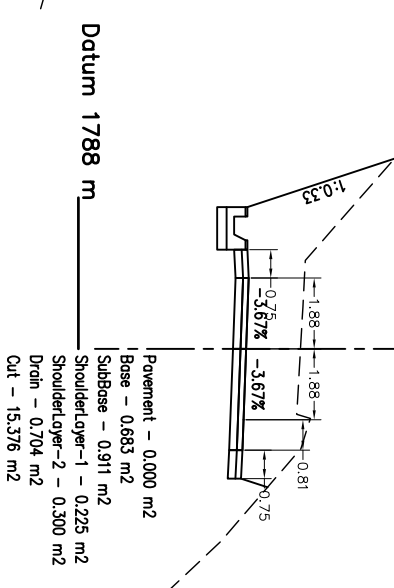
Ch: 2+170
 G.L: 1789.295
 D.L: 1788.484



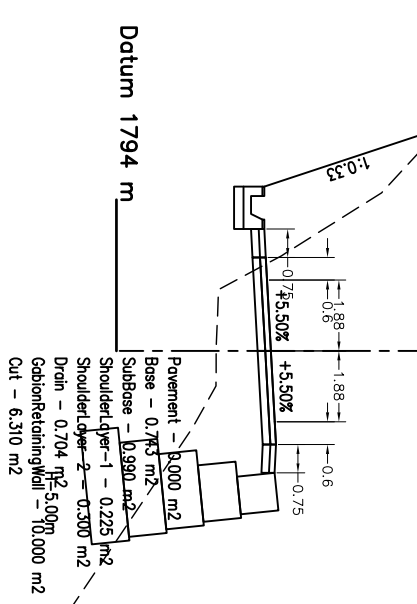
Ch: 2+210
 G.L: 1794.594
 D.L: 1793.850



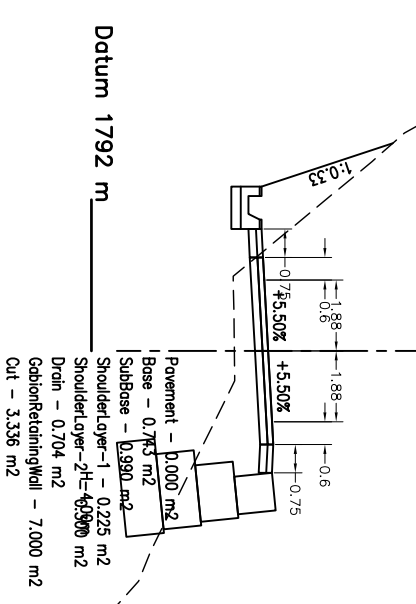
Ch: 2+200
 G.L: 1793.875
 D.L: 1792.438



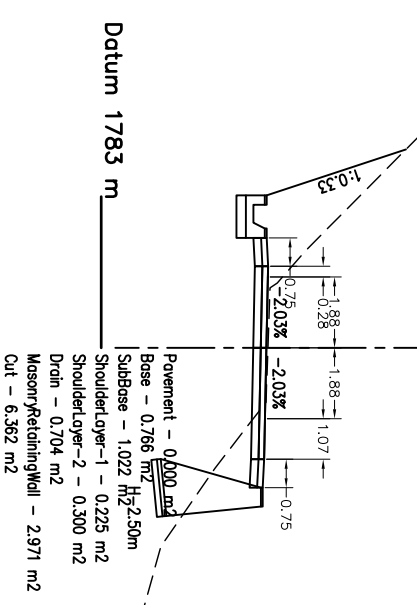
Ch: 2+240
 G.L: 1796.638
 D.L: 1798.085



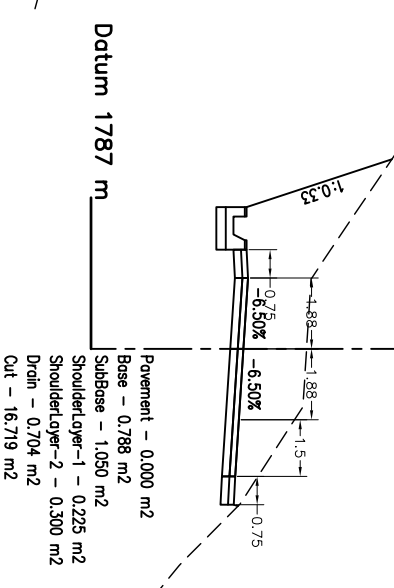
Ch: 2+230
 G.L: 1795.780
 D.L: 1796.673



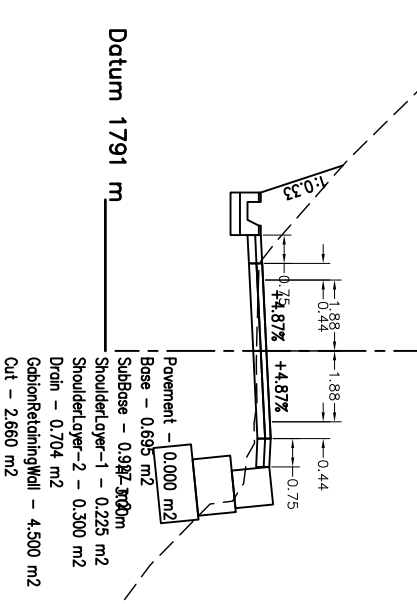
Ch: 2+160
 G.L: 1787.411
 D.L: 1787.372



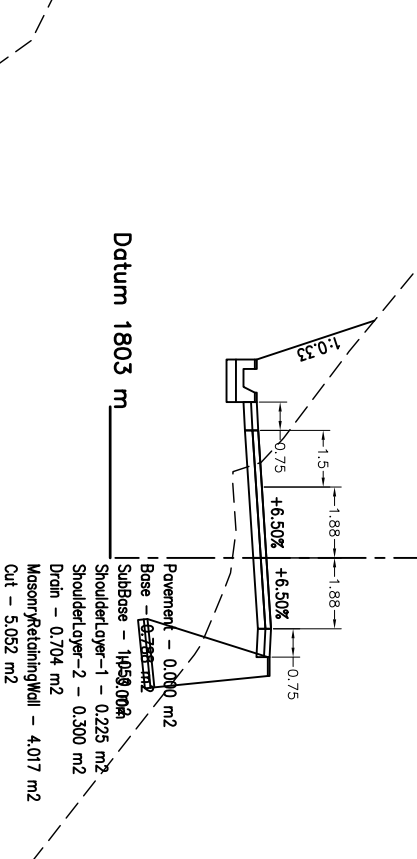
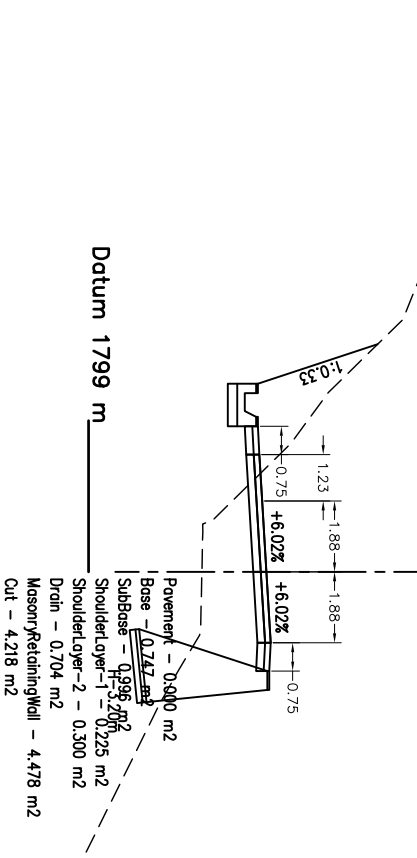
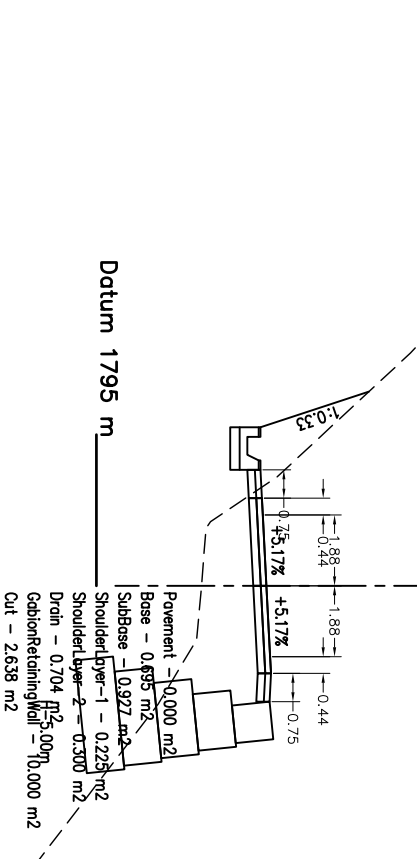
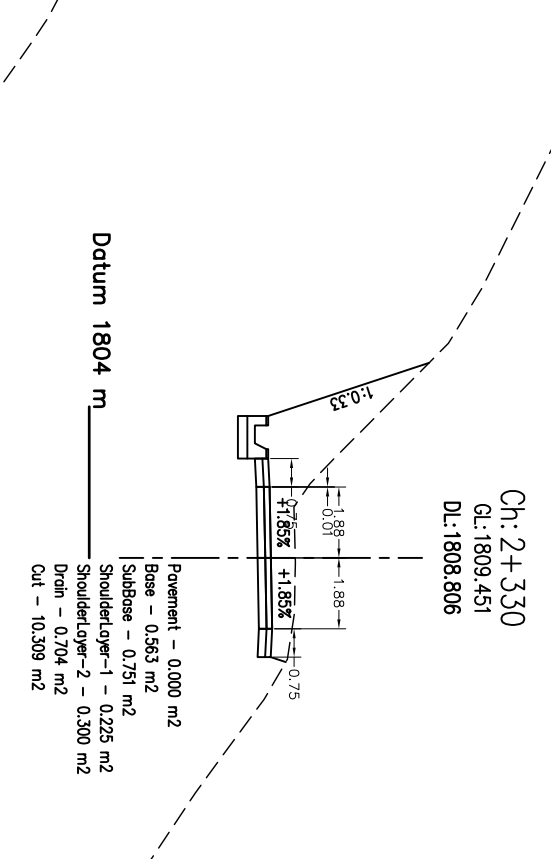
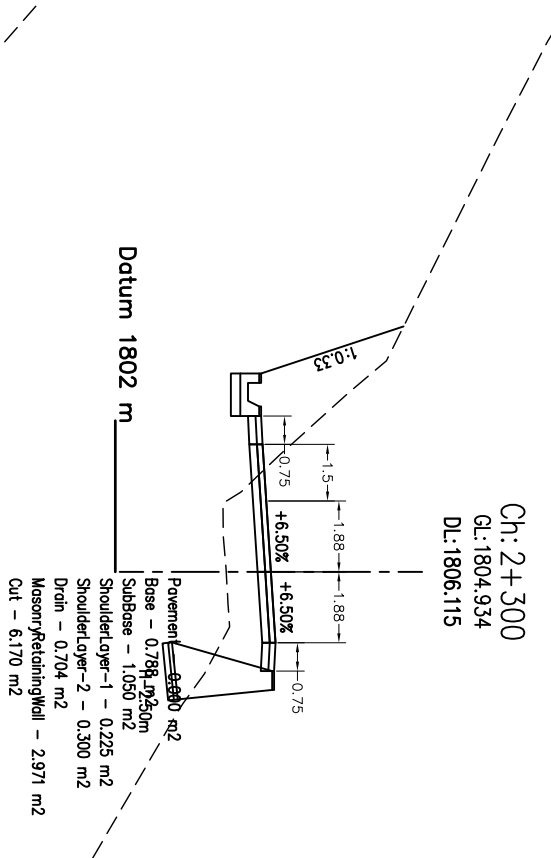
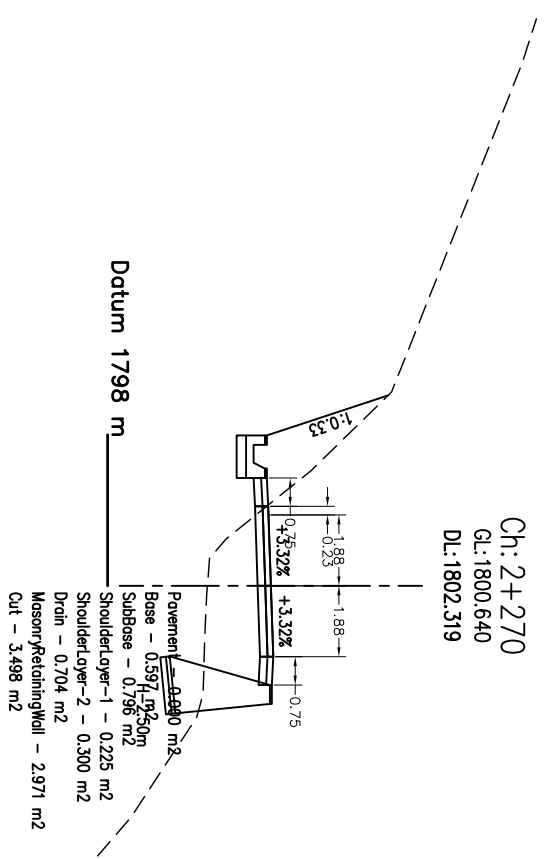
Ch: 2+190
 G.L: 1792.701
 D.L: 1791.031



Ch: 2+220
 G.L: 1794.999
 D.L: 1795.262



Government of Nepal Ministry of Federal Affairs and General Administration Department of Local Infrastructure (DoLI) Rural Connectivity Improvement Project-Phase 2 (DoLI/RCP/IDPR-04/2019)		CONSULTANT: ITECO - INCLUSIVE JV Sitapalla Chowk, Ring Road		ROAD NAME : Sisaghadhi-Jhumbhang-Ransi Road		DATE		REVISION		SIGNATURE		DESIGNED BY :		SCALE		Cross-Section		DATE: February 2022	
		Rukum (East) District								DRAWN BY :		1:200		2+160-2+240				DRG NO. : 1	
										CHECKED BY :		4m						SHEET NO. : 25	
										APPROVED BY :									



Government of Nepal
 Ministry of Federal Affairs and General Administration
 Department of Local Infrastructure (DoLI)
 Rural Connectivity Improvement Project-phase 2
 (DoLI/RCP/IDPR-04/2019)

CONSULTANT:
 ITECO - INCLUSIVE JV
 Sitapalla Chowk, Ring Road

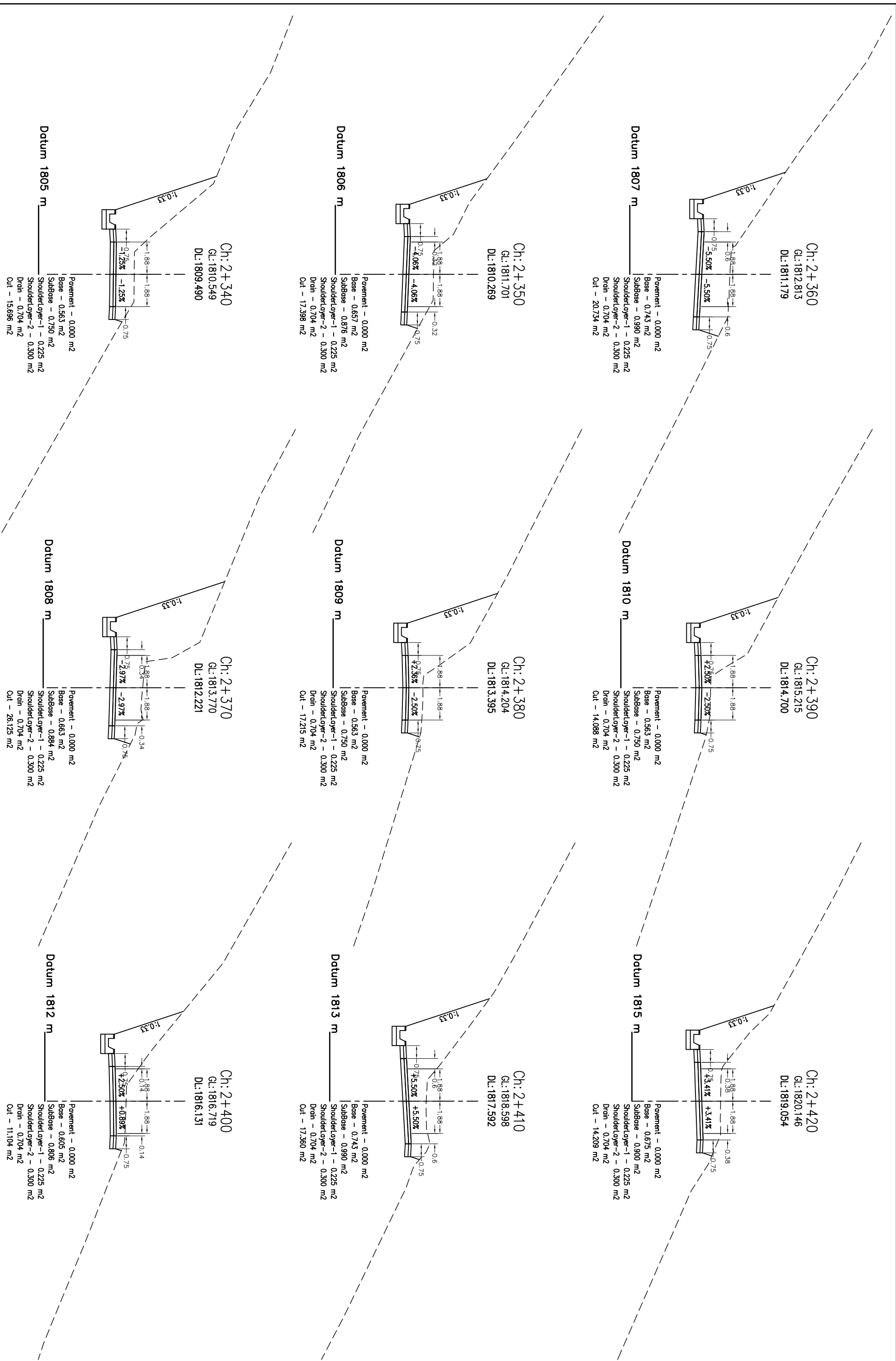
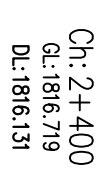
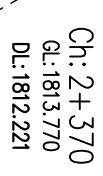
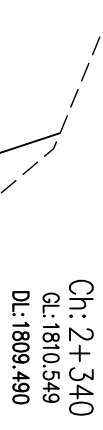
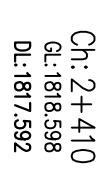
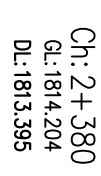
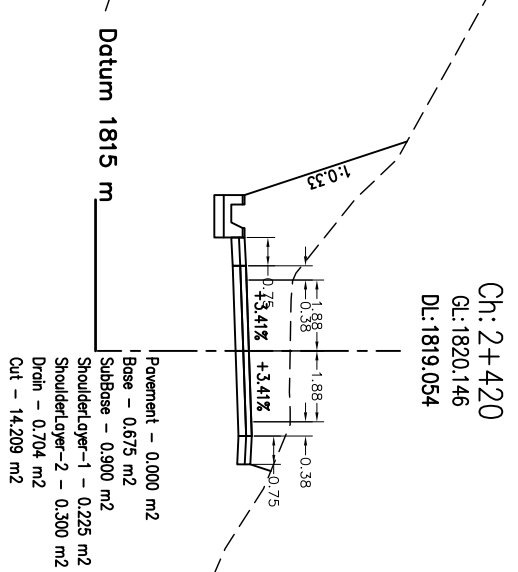
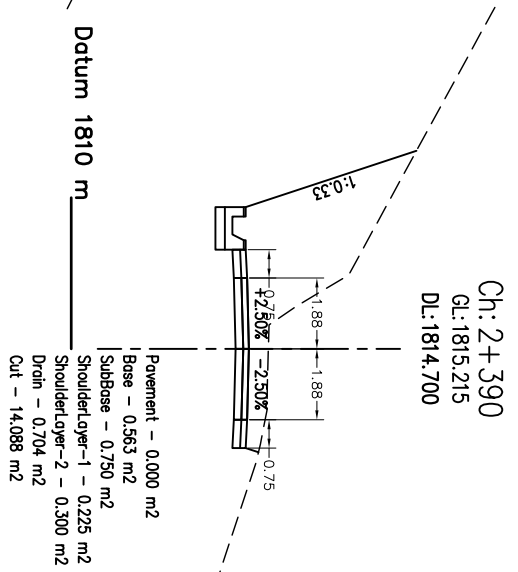
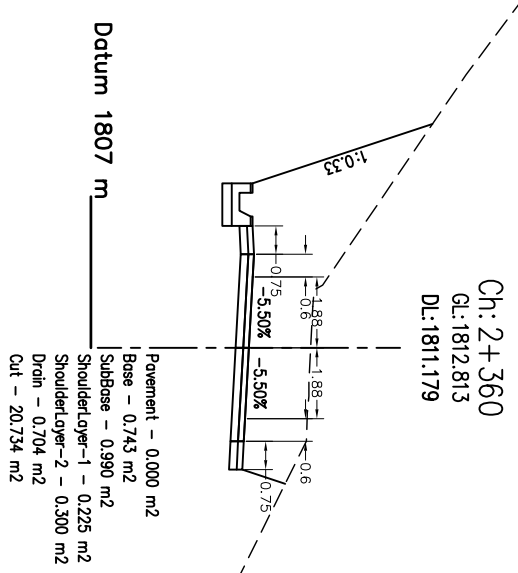
ROAD NAME:
 Sisagphadi-Jhumlabang-Ransi Road
 Rukum (East) District

DATE
 REVISION
 SIGNATURE

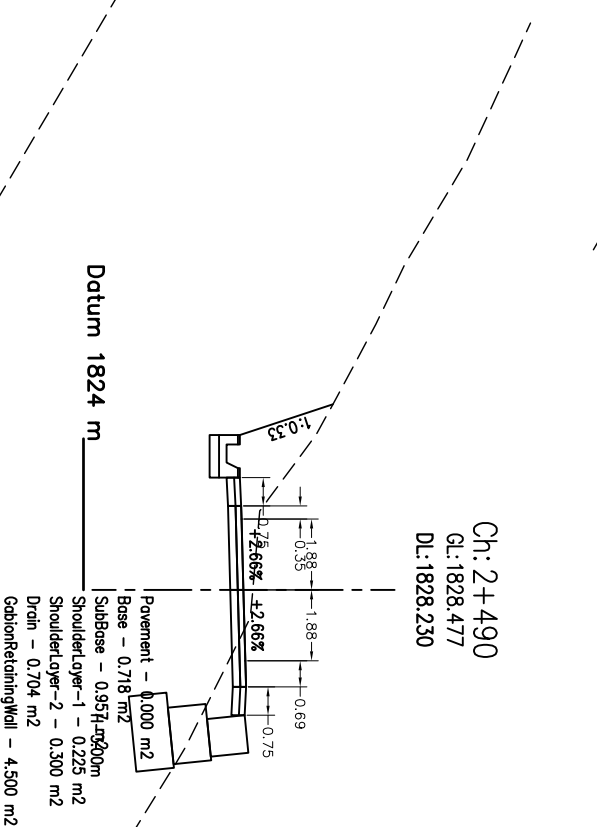
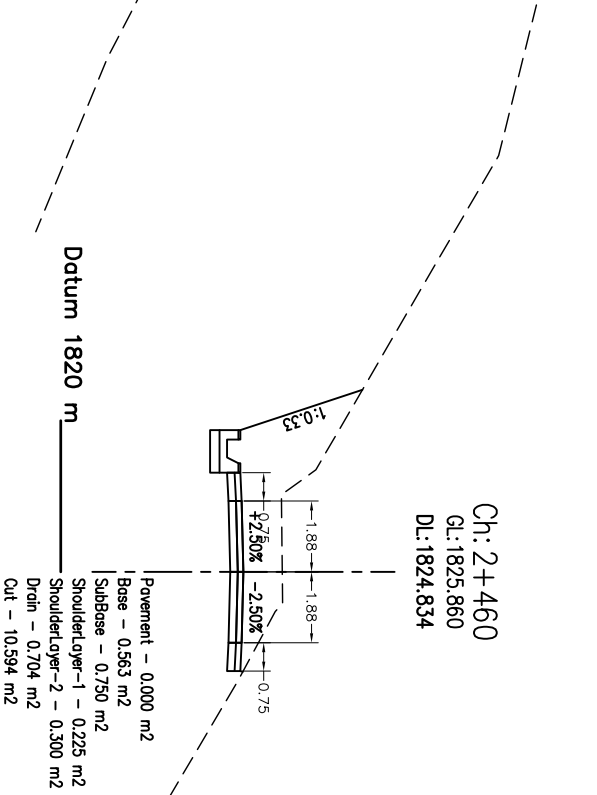
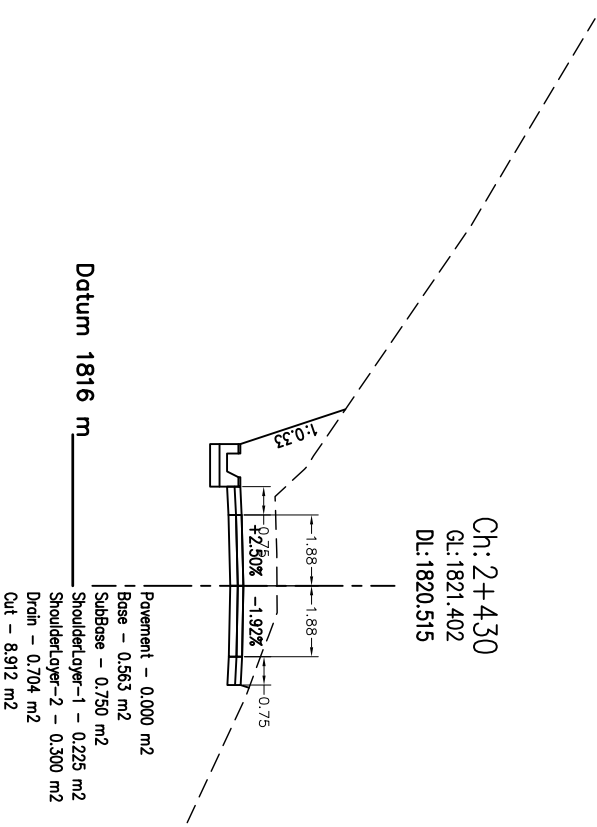
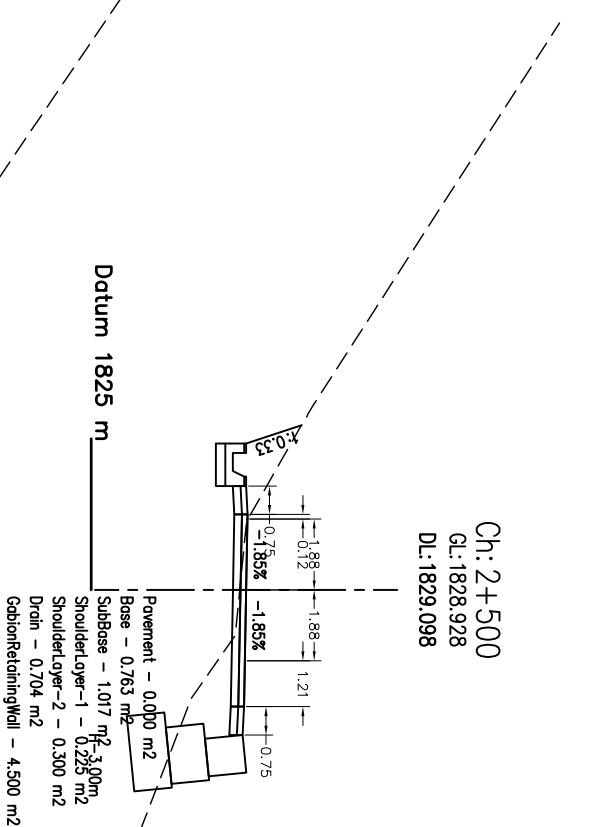
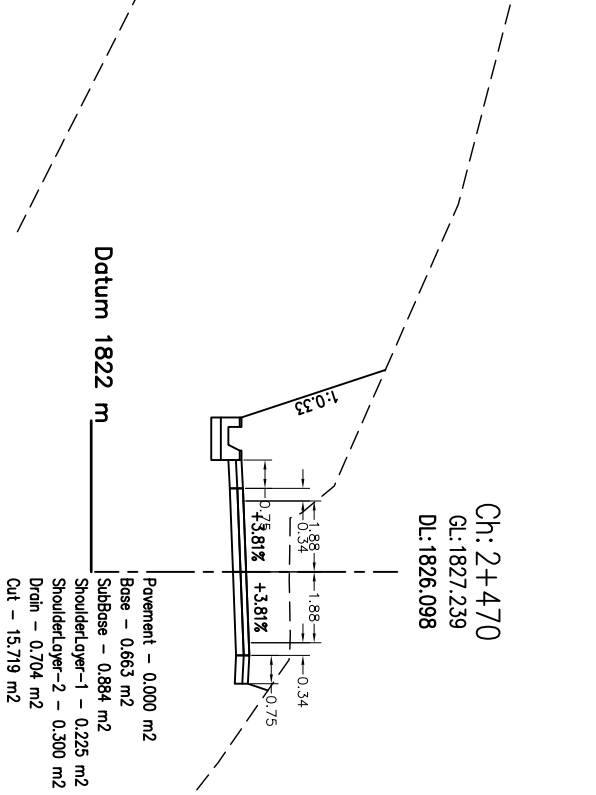
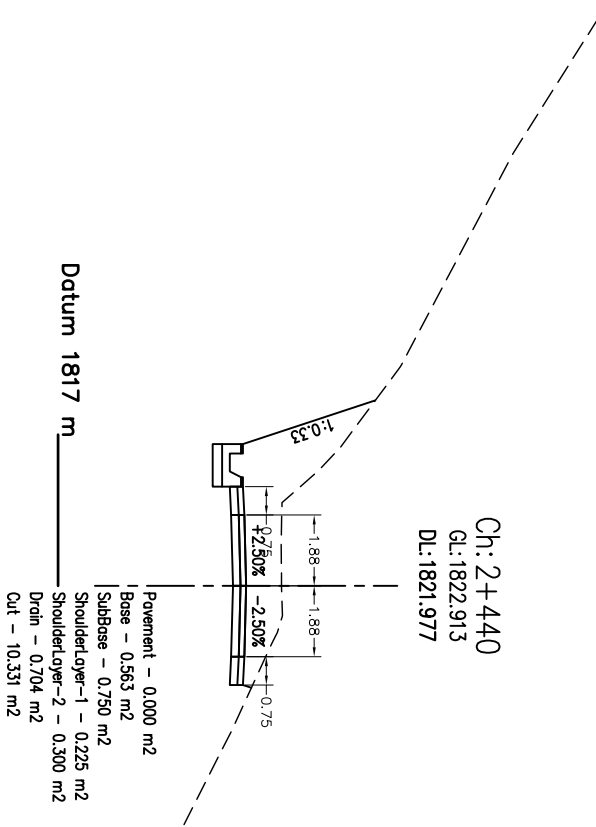
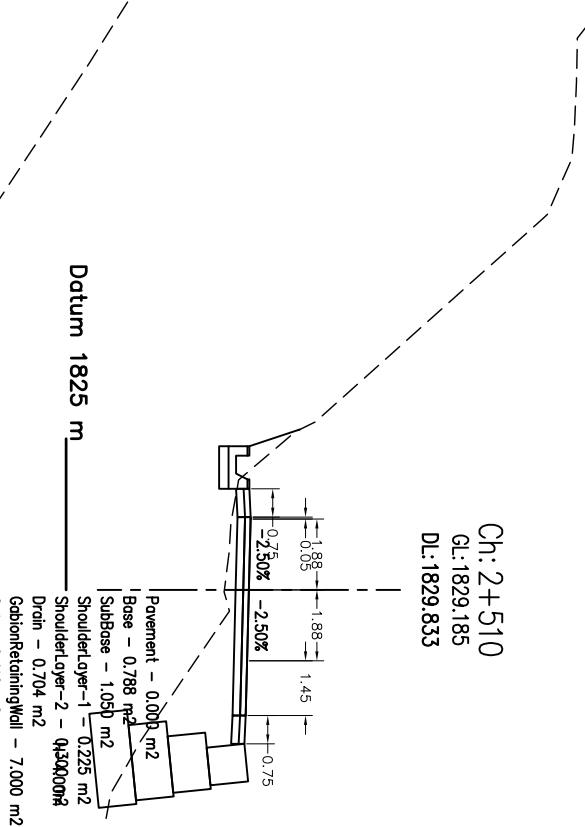
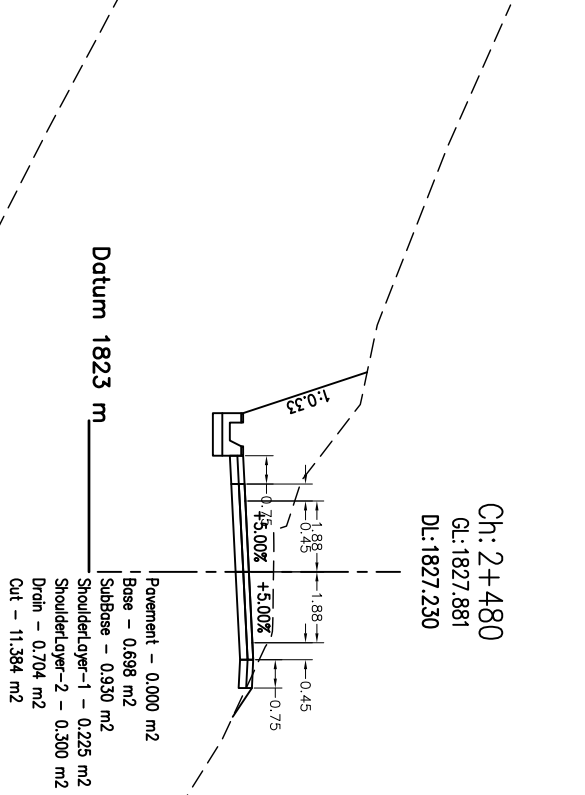
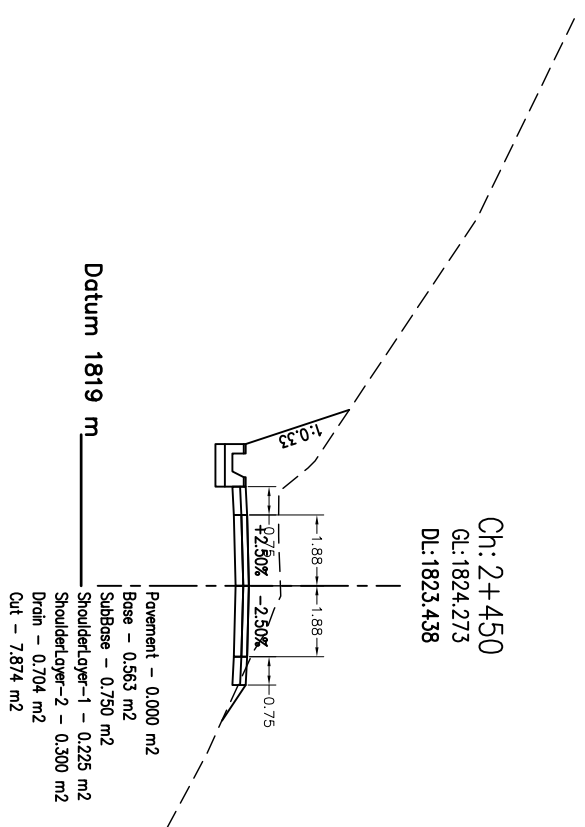
DESIGNED BY:
 DRAWN BY:
 CHECKED BY:
 APPROVED BY:

SCALE

Cross-Section
 2+250-2+330
 DATE: February 2022
 DRG NO.: 1
 SHEET NO.: 26



Government of Nepal Ministry of Federal Affairs and General Administration Department of Local Infrastructure (DoLI) Rural Connectivity Improvement Project-Phase 2 (DoLI/RCIP/DPR-04/2019)		CONSULTANT: ITECO - INCLUSIVE JV Sitapalla Chowk, Ring Road		ROAD NAME : Sisaghadh-Jhumbhang-Ransil Road Rukum (East) District		DATE	REVISION	SIGNATURE	DESIGNED BY :	SCALE	Cross-Section	DATE: February 2022
											DRAWN BY : CHECKED BY : APPROVED BY :	DRG NO. : 1 SHEET NO. : 27



Government of Nepal
 Ministry of Federal Affairs and General Administration
 Department of Local Infrastructure (DoLI)
 Rural Connectivity Improvement Project-Phase 2
 (DoLI/RCIP/IDPR-04/2019)

CONSULTANT:
ITECO - INCLUSIVE JV
 Sitapalla Chowk, Ring Road

ROAD NAME:
 Sisaghadh-Jhurnlabang-Ransil Road

Rukum (East) District

DATE

REVISION

SIGNATURE

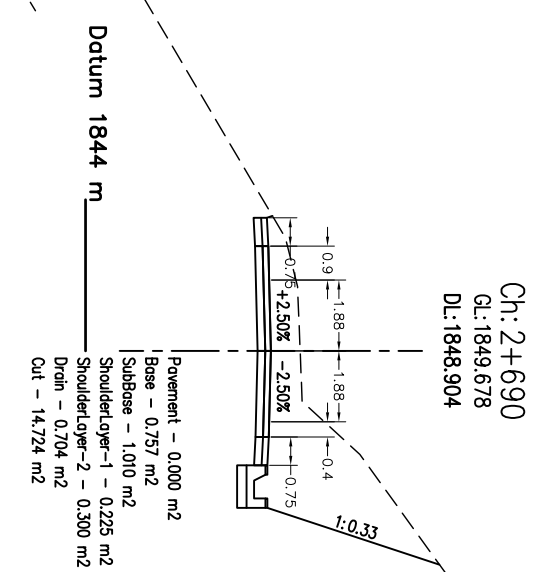
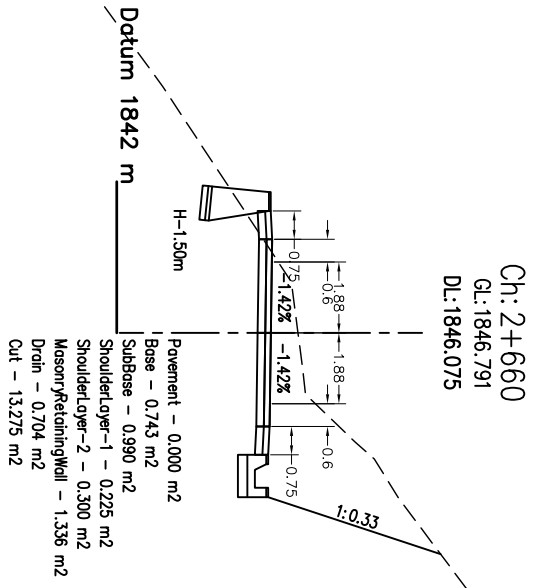
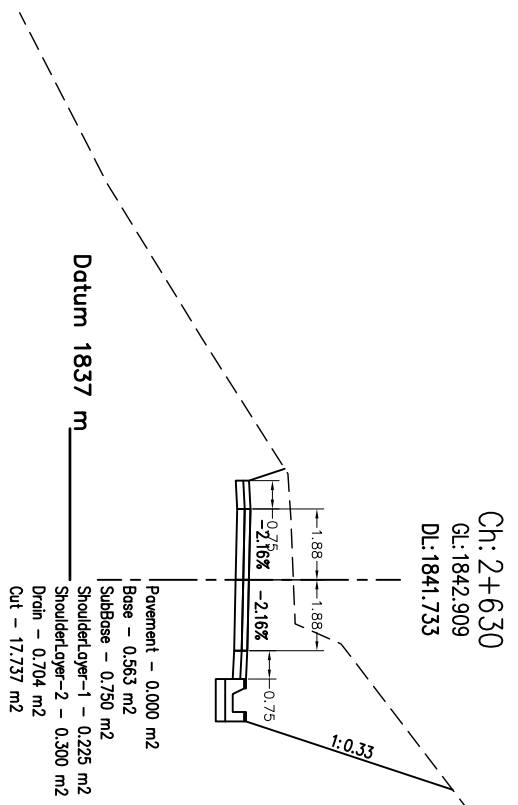
DESIGNED BY:
 DRAWN BY:
 CHECKED BY:
 APPROVED BY:

SCALE

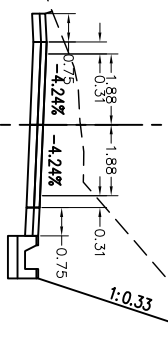
 2m
 0
 4m
 1:200

Cross-Section
 2+430-2+510

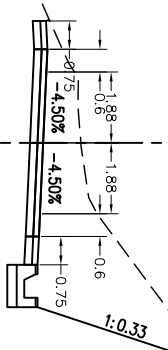
DATE: February 2022
 DRG NO.: 1
 SHEET NO.: 28



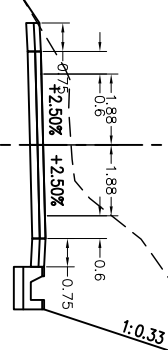
Ch: 2+620
 G.L: 1841.229
 D.L: 1840.245



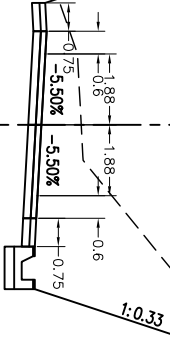
Ch: 2+650
 G.L: 1845.703
 D.L: 1844.707



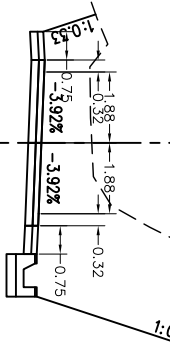
Ch: 2+680
 G.L: 1848.911
 D.L: 1848.173



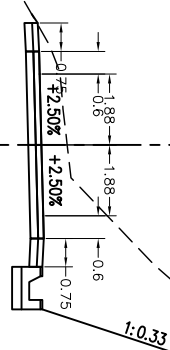
Ch: 2+610
 G.L: 1839.815
 D.L: 1838.763



Ch: 2+640
 G.L: 1844.552
 D.L: 1843.220



Ch: 2+670
 G.L: 1847.911
 D.L: 1847.230



Government of Nepal
 Ministry of Federal Affairs and General Administration
 Department of Local Infrastructure (DoLI)
 Rural Connectivity Improvement Project-Phase 2
 (DoLI/RCIP/DPR-04/2019)

CONSULTANT:
ITECO - INCLUSIVE JV
 Sitapalla Chowk, Ring Road

ROAD NAME :
 Sisaghadh-Jhumbhang-Ransi Road

Rukum (East) District

DATE

REVISION

SIGNATURE

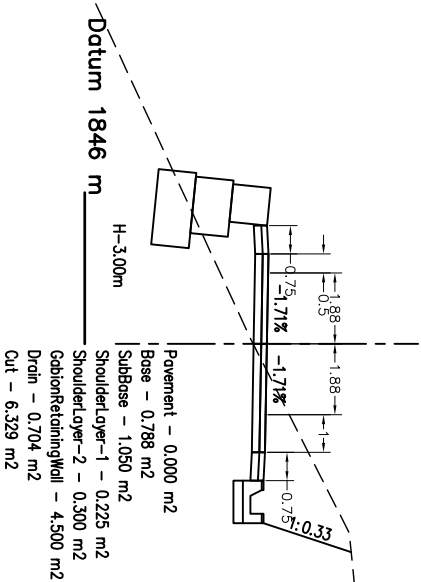
DESIGNED BY :
 DRAWN BY :
 CHECKED BY :
 APPROVED BY :

SCALE

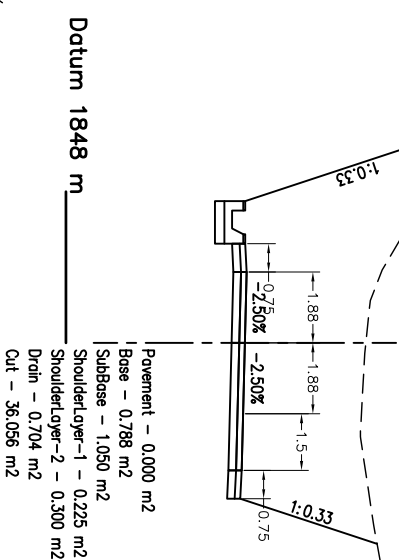
Cross-Section
 2+610-2+690

DATE: February 2022
 DRG NO : 1
 SHEET NO : 30

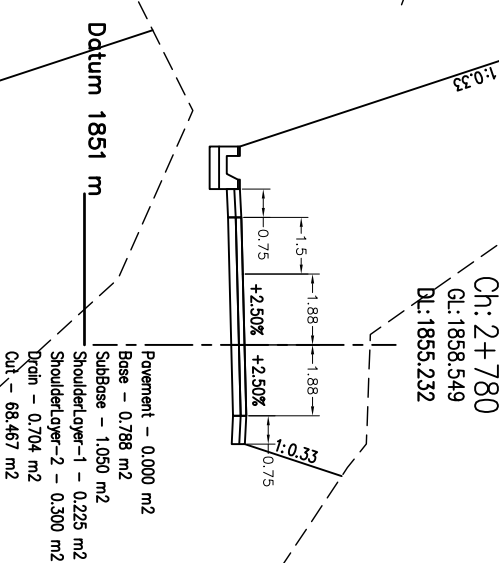
Ch: 2+720
 G.L: 1850.454
 D.L: 1850.818



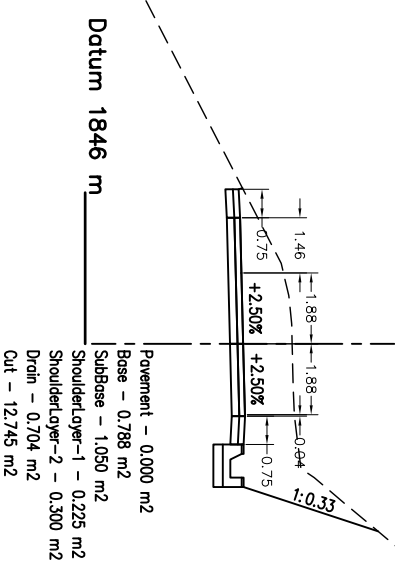
Ch: 2+750
 G.L: 1855.930
 D.L: 1852.732



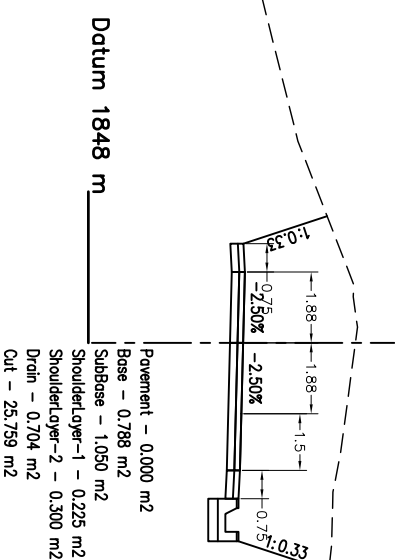
Ch: 2+780
 G.L: 1858.549
 D.L: 1855.232



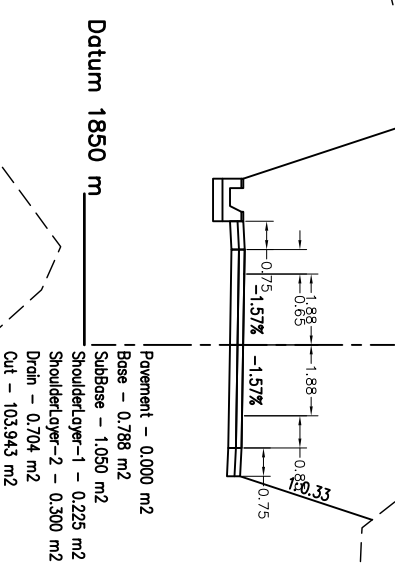
Ch: 2+710
 G.L: 1851.476
 D.L: 1850.180



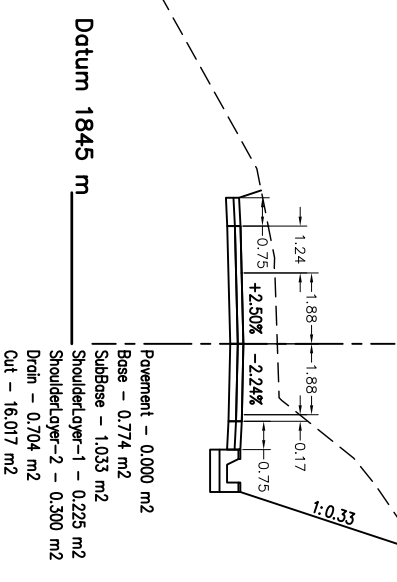
Ch: 2+740
 G.L: 1855.063
 D.L: 1852.094



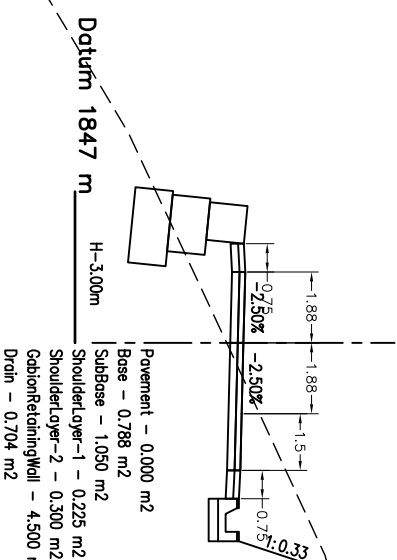
Ch: 2+770
 G.L: 1863.277
 D.L: 1854.200



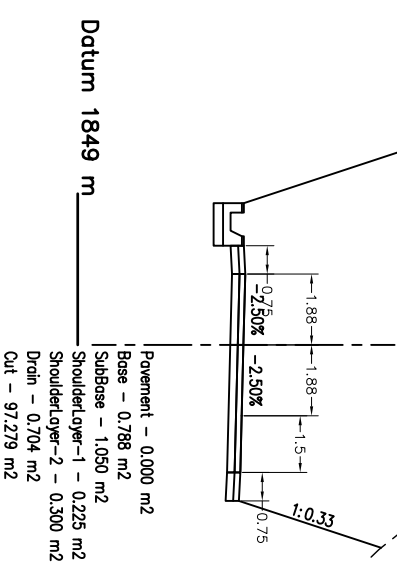
Ch: 2+700
 G.L: 1850.437
 D.L: 1849.542



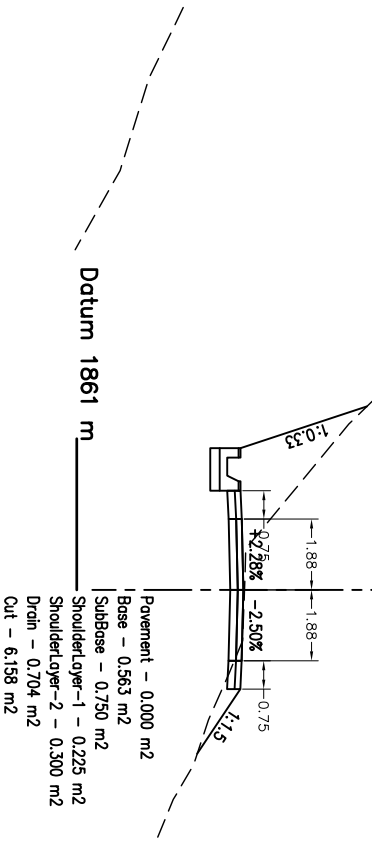
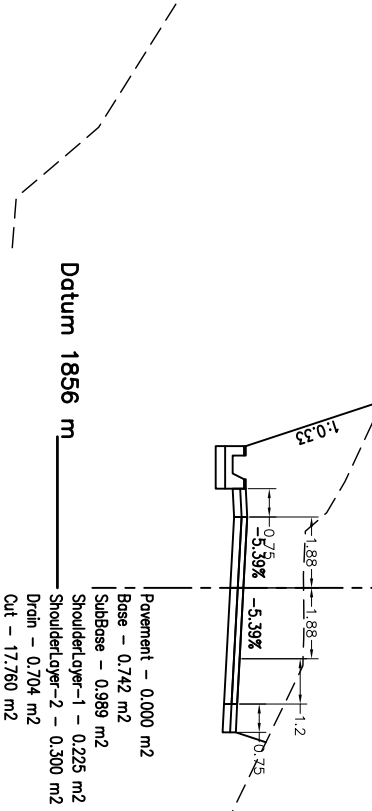
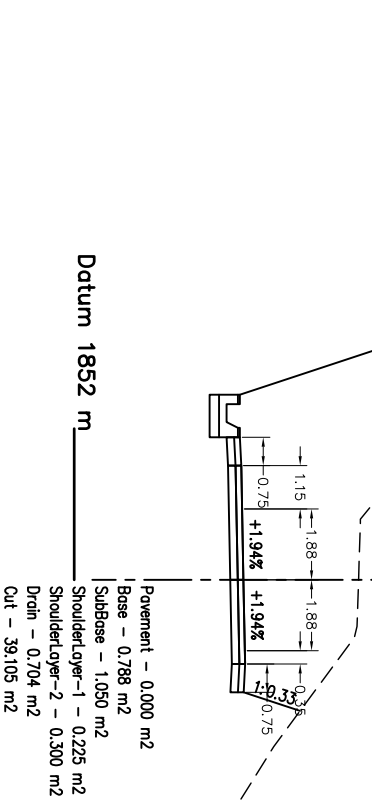
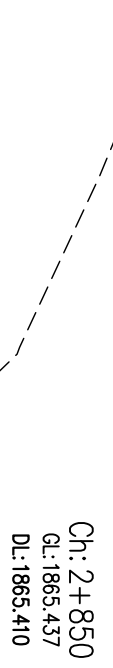
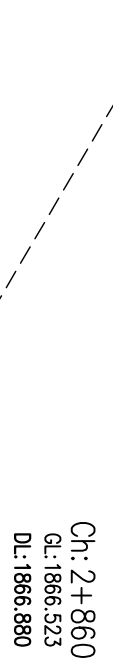
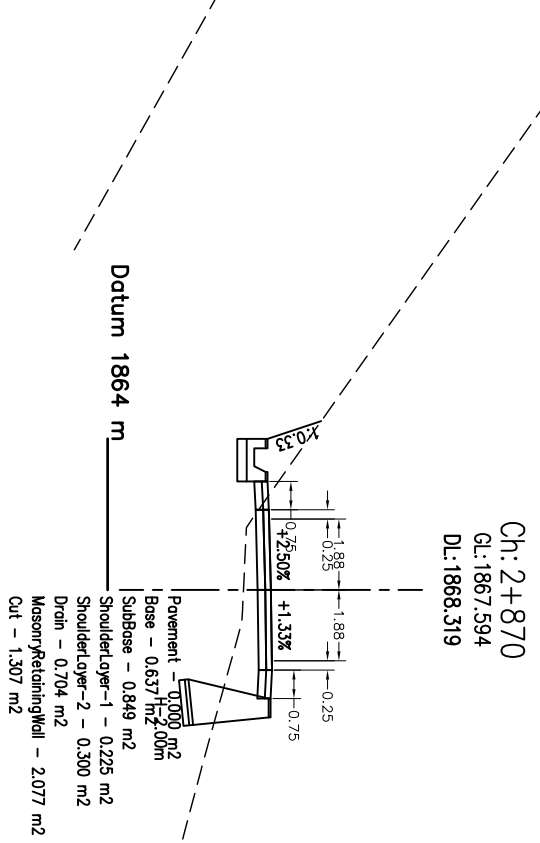
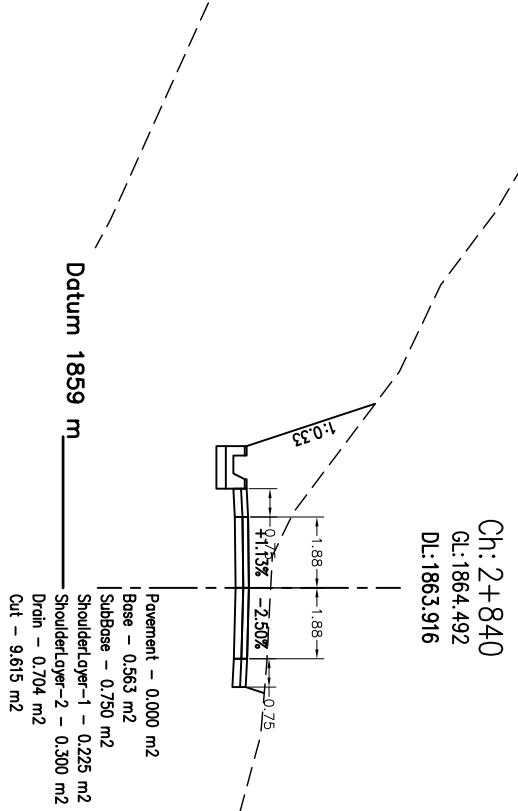
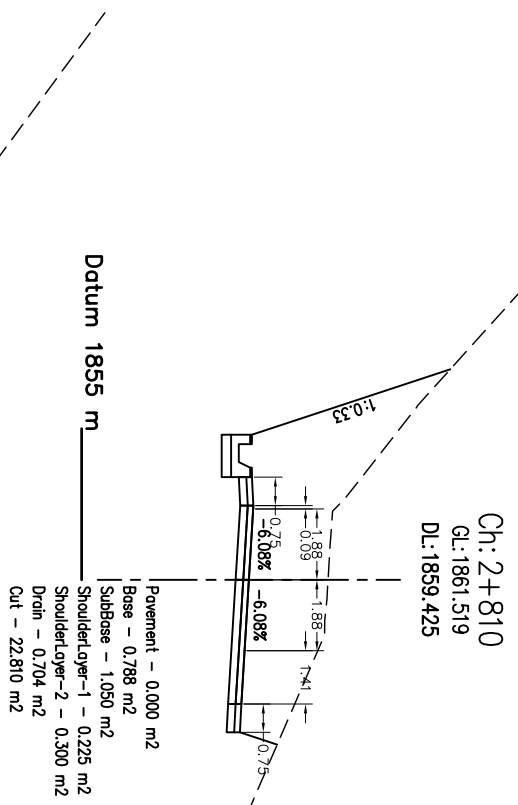
Ch: 2+730
 G.L: 1851.013
 D.L: 1851.456



Ch: 2+760
 G.L: 1863.429
 D.L: 1853.382



Government of Nepal Ministry of Federal Affairs and General Administration Department of Local Infrastructure (DoLI) Rural Connectivity Improvement Project-Phase 2 (DoLI/RCP/IDPR-04/2019)		CONSULTANT: ITECO - INCLUSIVE JV Sitapalla Chowk, Ring Road		ROAD NAME : Sisaghadh-Jhumbhang-Ransi Road Rukum (East) District		DATE	REVISION	SIGNATURE	DESIGNED BY :	SCALE	Cross-Section 2+700-2+780	DATE: February 2022
DRAWN BY : CHECKED BY : APPROVED BY :										DRG NO. : 1 SHEET NO. : 31		



Government of Nepal
 Ministry of Federal Affairs and General Administration
 Department of Local Infrastructure (DoLI)
 Rural Connectivity Improvement Project-Phase 2
 (DoLI/RCP/IDPR-04/2019)

CONSULTANT:
ITECO - INCLUSIVE JV
 Sitapalla Chowk, Ring Road

ROAD NAME :
 Sisaghad-Jhumbang-Ransi Road

Rukum (East) District

DATE

REVISION

SIGNATURE

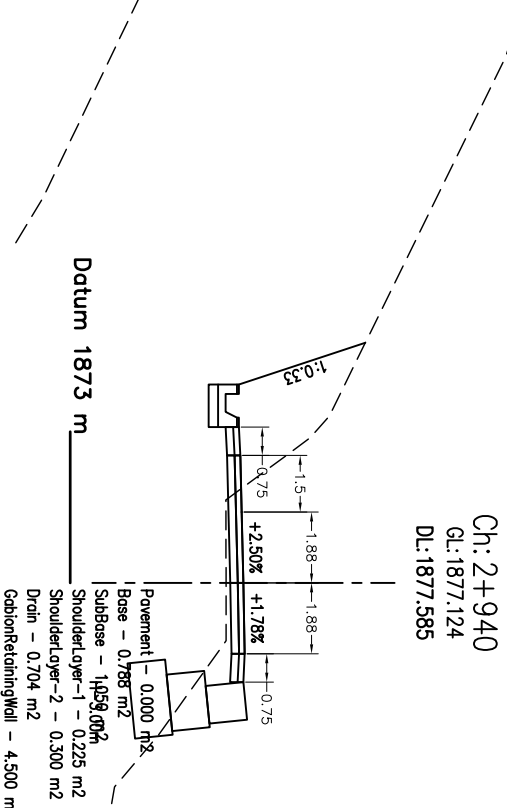
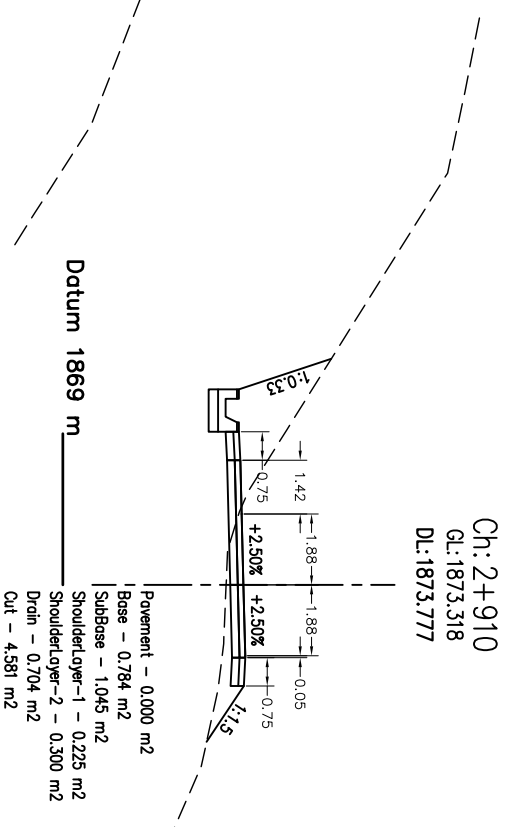
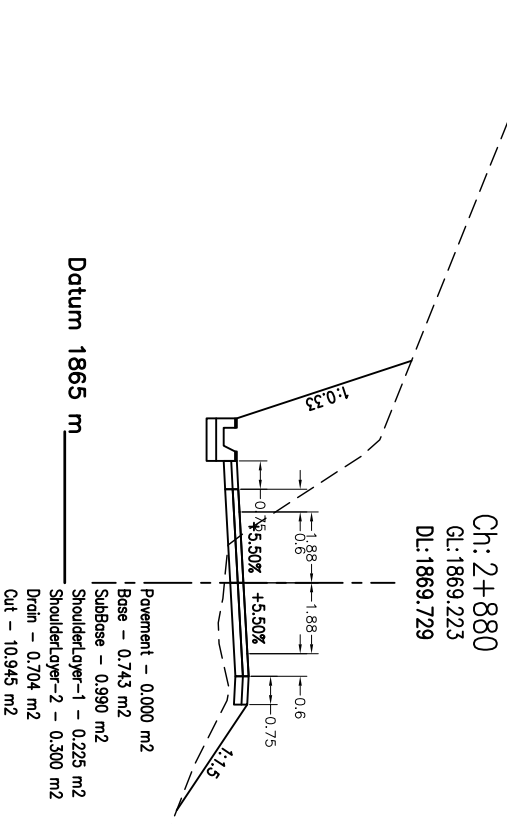
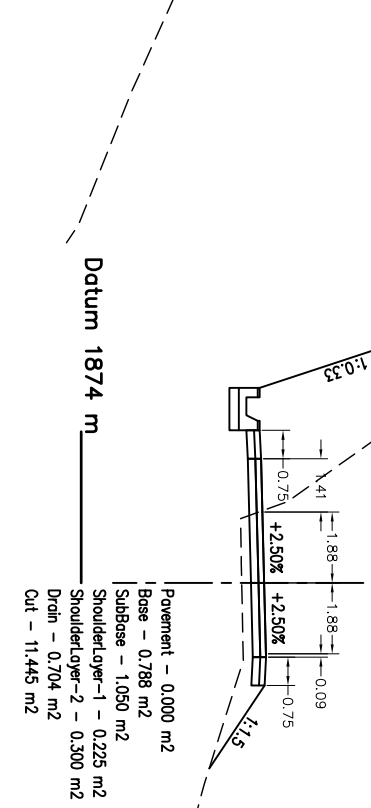
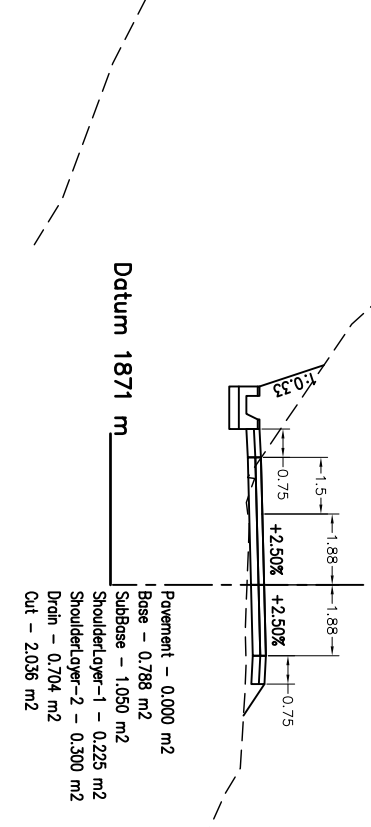
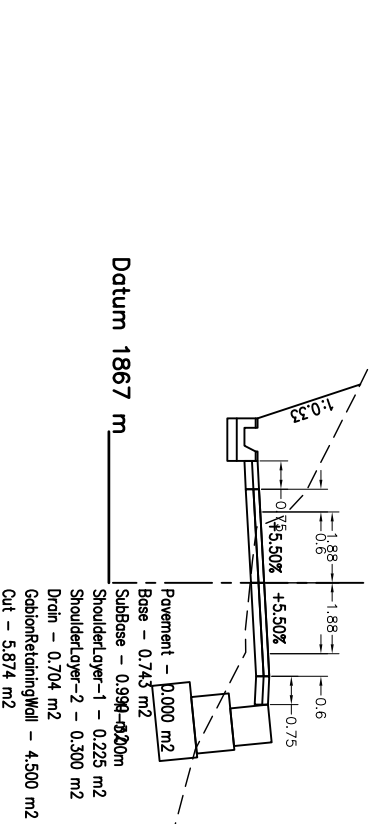
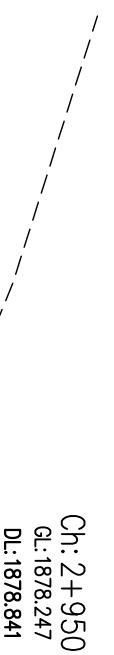
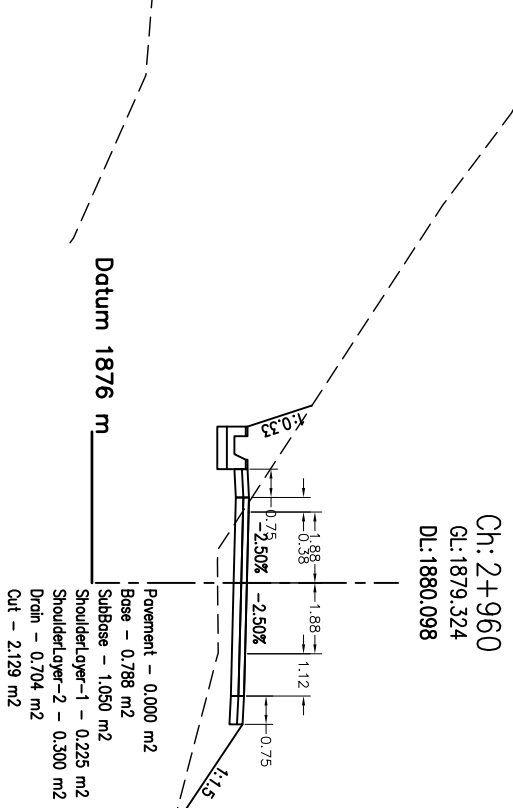
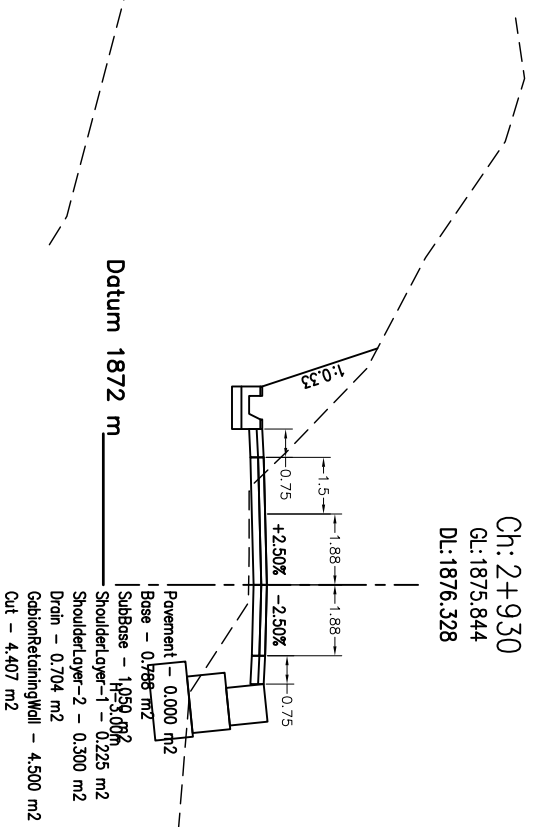
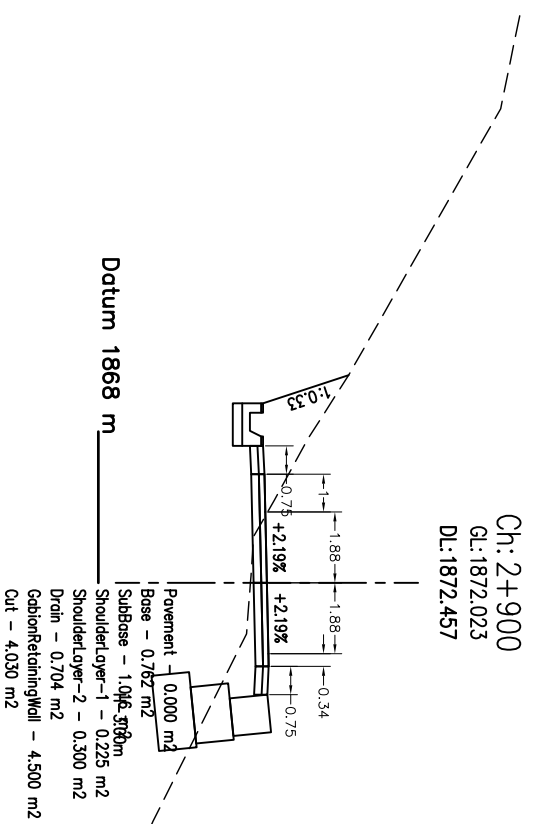
DESIGNED BY :
 DRAWN BY :
 CHECKED BY :
 APPROVED BY :

SCALE

 2m
 0
 4m
 1:2000

Cross-Section
2+790-2+870

DATE: February 2022
 DRG NO. : **1**
 SHEET NO. : **32**



Government of Nepal
 Ministry of Federal Affairs and General Administration
 Department of Local Infrastructure (DoLI)
 Rural Connectivity Improvement Project-Phase 2
 (DoLI/RCIP/DPR-04/2019)

CONSULTANT:
ITECO - INCLUSIVE JV
 Sitapalla Chowk, Ring Road

ROAD NAME:
 Sisaghad-Jhumbang-Ransi Road

Rukum (East) District

DATE

REVISION

SIGNATURE

DESIGNED BY :

DRAWN BY :

CHECKED BY :

APPROVED BY :

SCALE

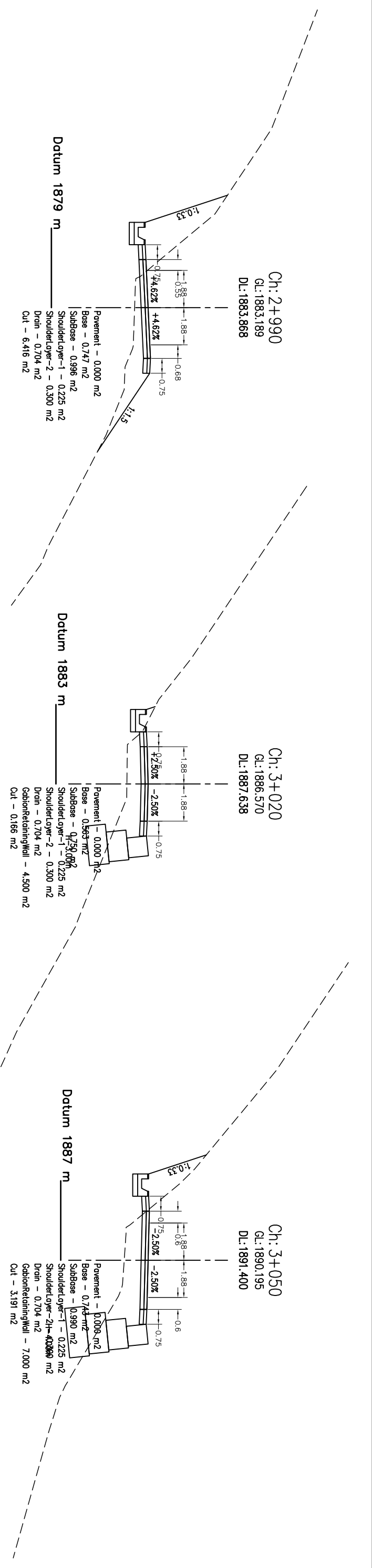
Cross-Section

2+880-2+960

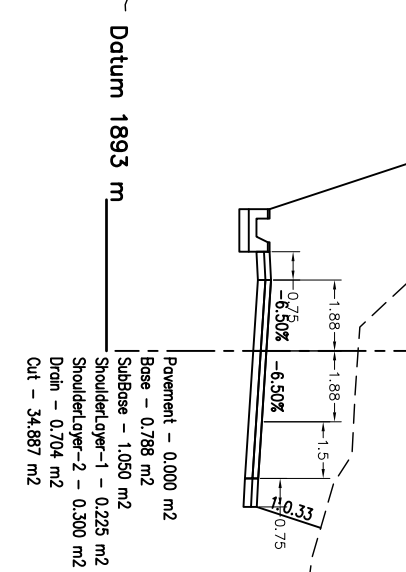
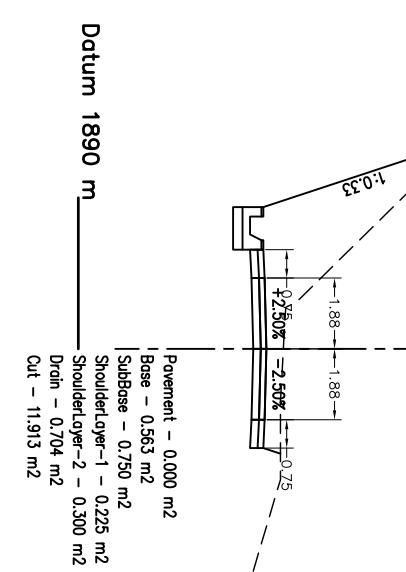
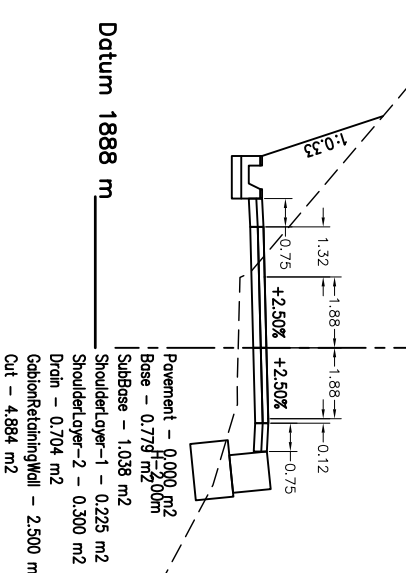
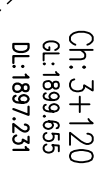
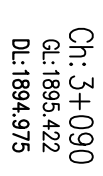
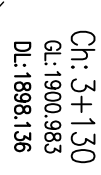
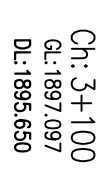
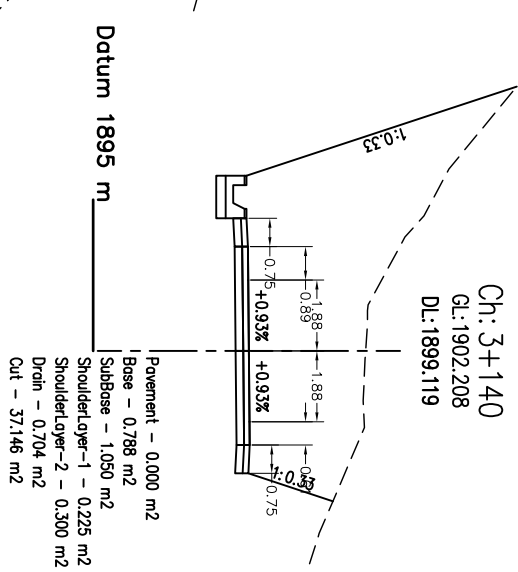
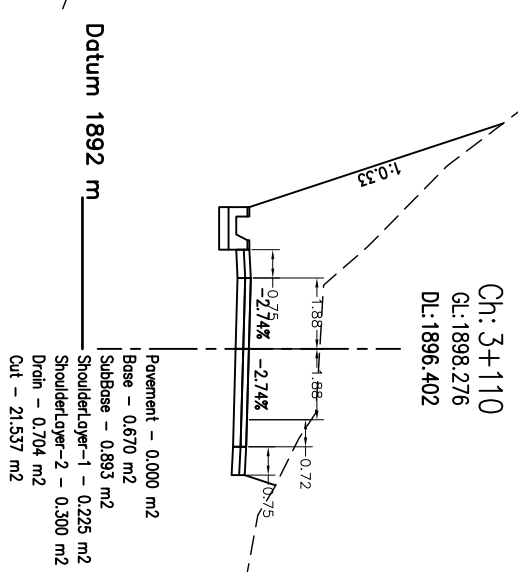
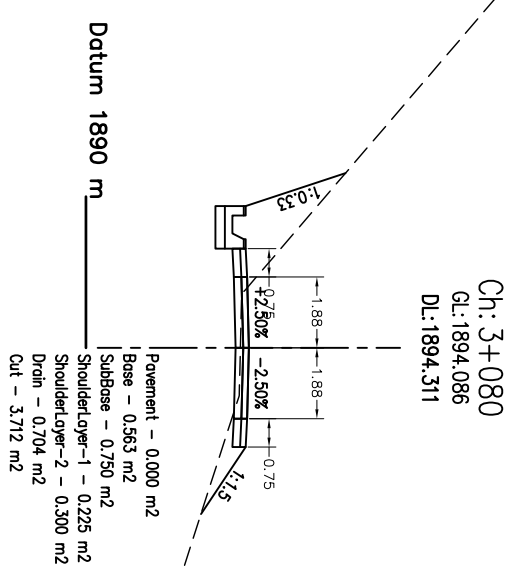
DATE: February 2022

DRG NO. : 1

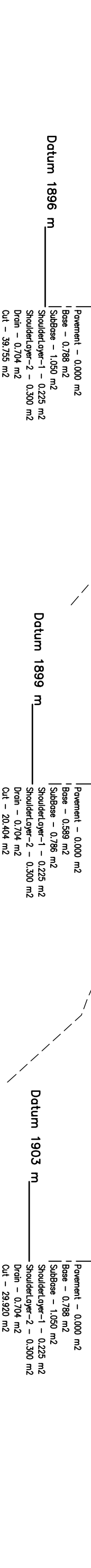
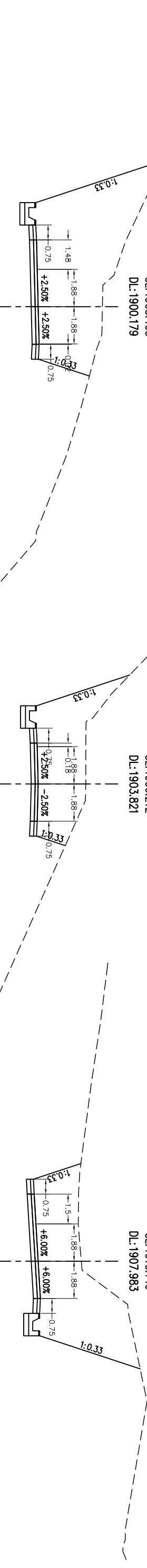
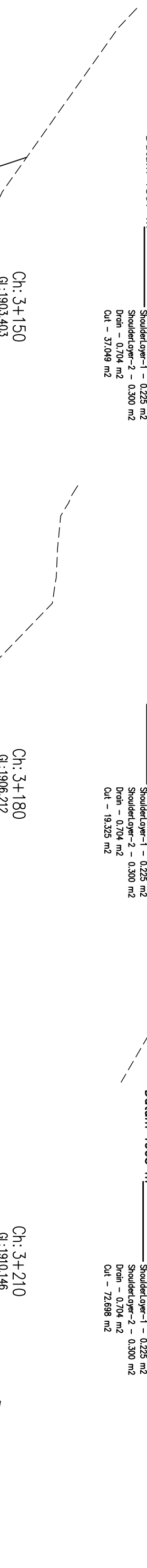
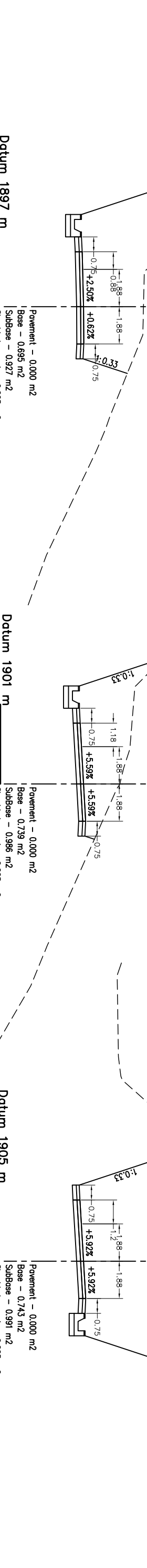
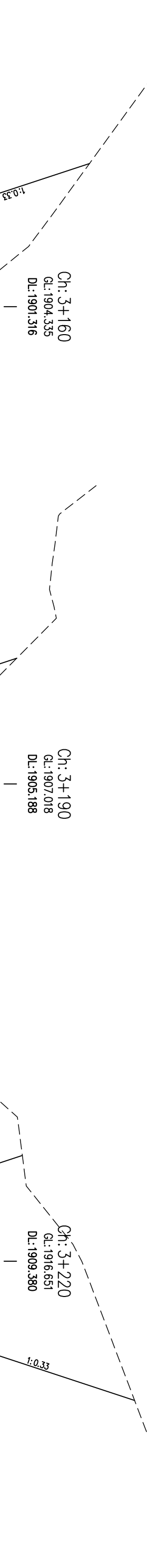
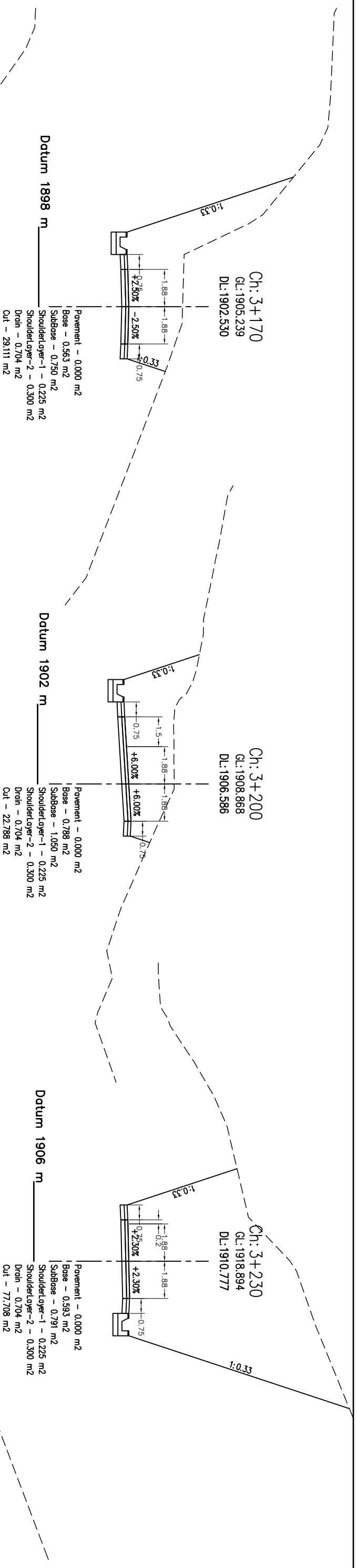
SHEET NO. : 33



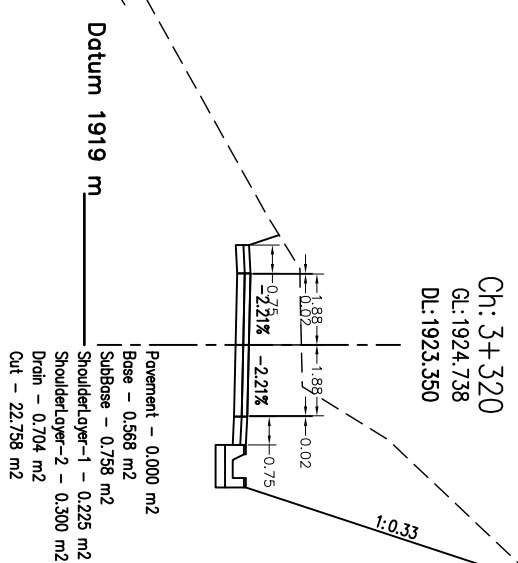
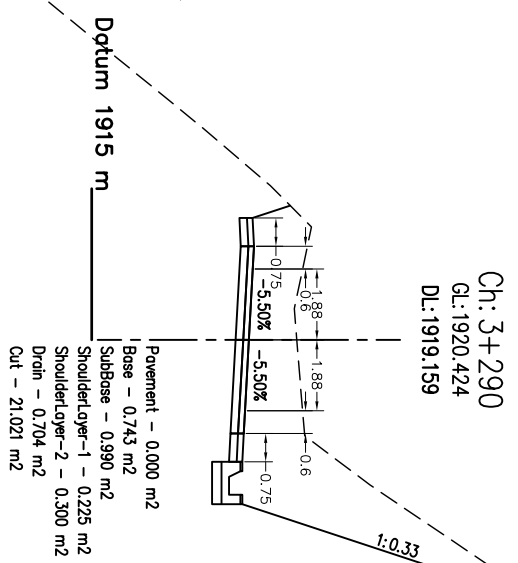
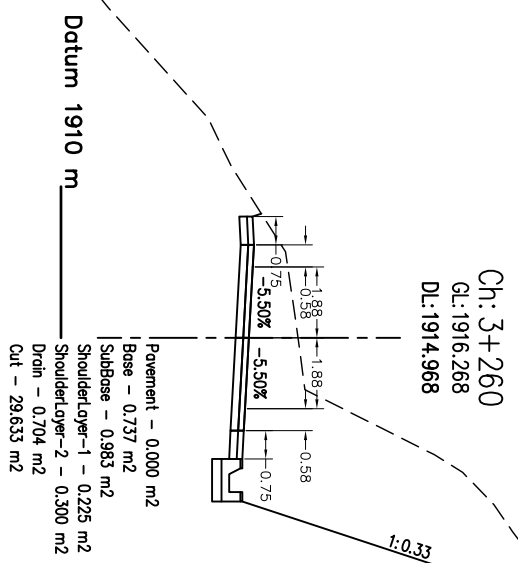
CONSULTANT:	ROAD NAME:	DATE	REVISION	SIGNATURE	DESIGNED BY:	SCALE	Cross-Section	DATE: February 2022
Government of Nepal Ministry of Federal Affairs and General Administration Department of Local Infrastructure (DoLI) Rural Connectivity Improvement Project-Phase 2 (DoLI/RCIP/IDPR-04/2019)	Sisaghadh-Jhurnlabang-Ransil Road Rukum (East) District				DRAWN BY : CHECKED BY : APPROVED BY :		2+970-3+050	1 SHEET NO.: 34



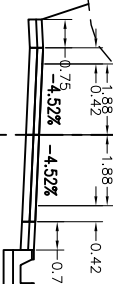
Government of Nepal Ministry of Federal Affairs and General Administration Department of Local Infrastructure (DoLI) Rural Connectivity Improvement Project-Phase 2 (DoLI/RCIP/IDPR-04/2019)		CONSULTANT: ITECO - INCLUSIVE JV Sitapalla Chowk, Ring Road		ROAD NAME : Sisaghadh-Jhumbhang-Ransil Road Rukum (East) District		DATE	REVISION	SIGNATURE	DESIGNED BY :	SCALE	Cross-Section	DATE: February 2022
									DRAWN BY :		3+060-3+140	DRG NO. : 1
								CHECKED BY :	APPROVED BY :			SHEET NO. : 35



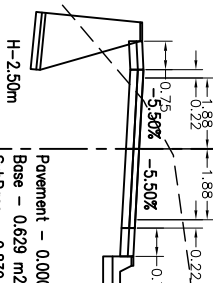
Government of Nepal Ministry of Federal Affairs and General Administration Department of Local Infrastructure (DoLI) Rural Connectivity Improvement Project-Phase 2 (DoLI/RCIP/DPR-04/2019)		CONSULTANT: ITECO - INCLUSIVE JV Sitapalla Chowk, Ring Road		ROAD NAME : Sisaghadh-Jhumbabang-Ransi Road		DATE		REVISION		SIGNATURE		DESIGNED BY :		SCALE		Cross-Section		DATE: February 2022	
				Rukum (East) District								DRAWN BY :		1:200		3+150-3+230		DRG NO. : 1	
												CHECKED BY :		4m				SHEET NO. : 36	
												APPROVED BY :							



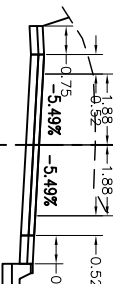
Ch: 3+250
 G.L: 1917.105
 D.L: 1913.571



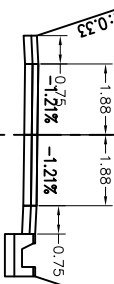
Ch: 3+280
 G.L: 1918.574
 D.L: 1917.762



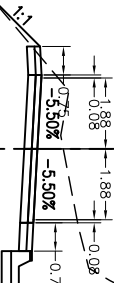
Ch: 3+310
 G.L: 1923.437
 D.L: 1921.953



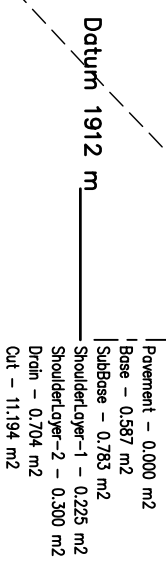
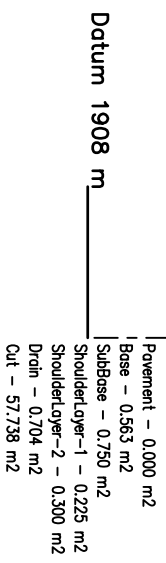
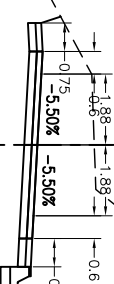
Ch: 3+240
 G.L: 1917.372
 D.L: 1912.174



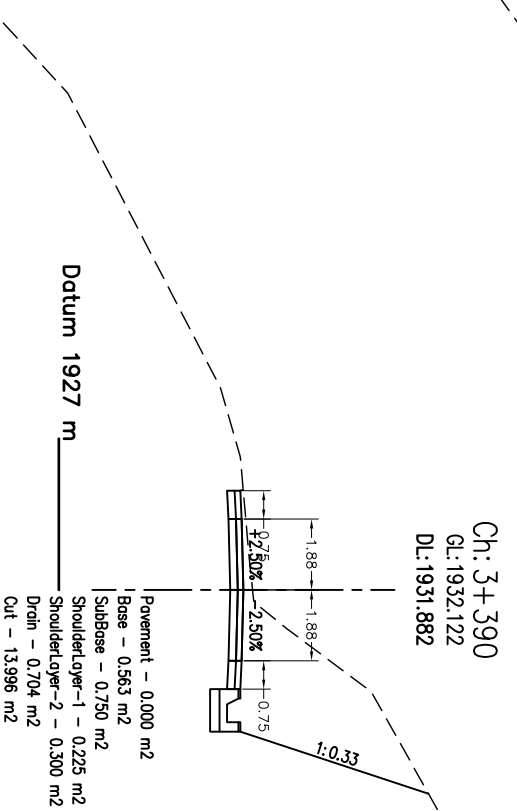
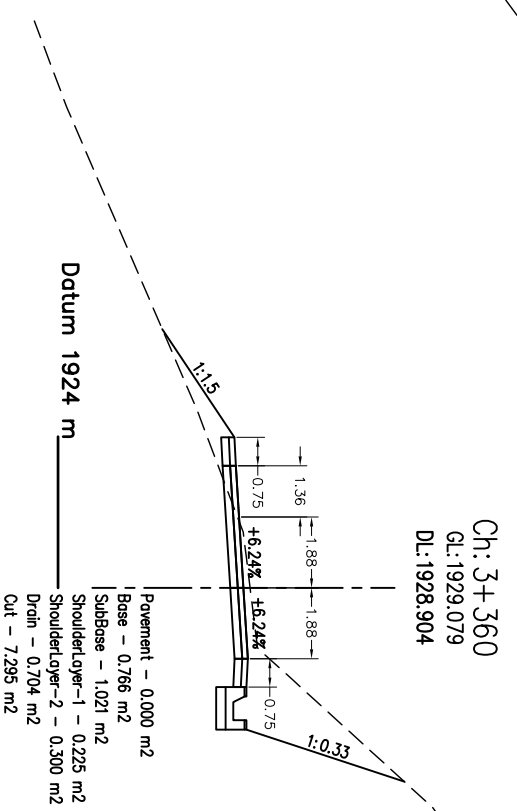
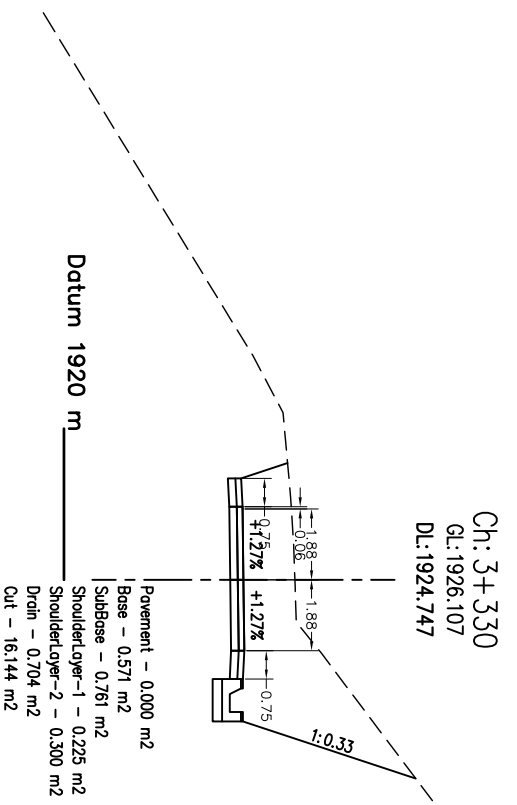
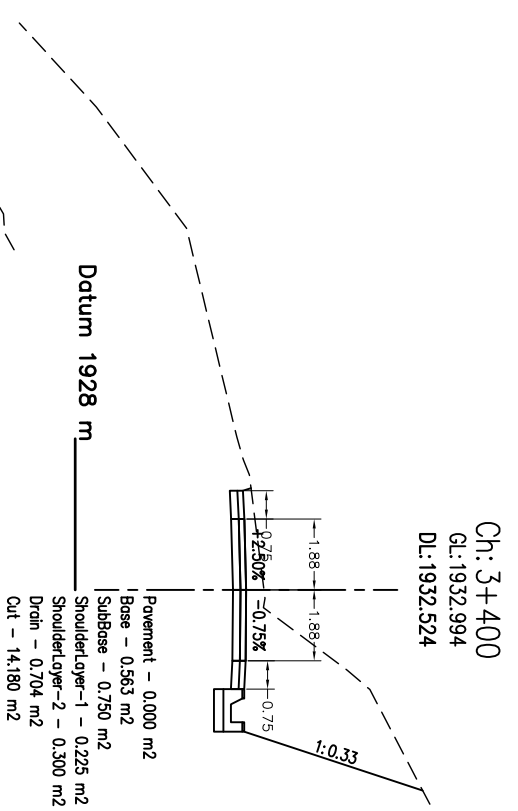
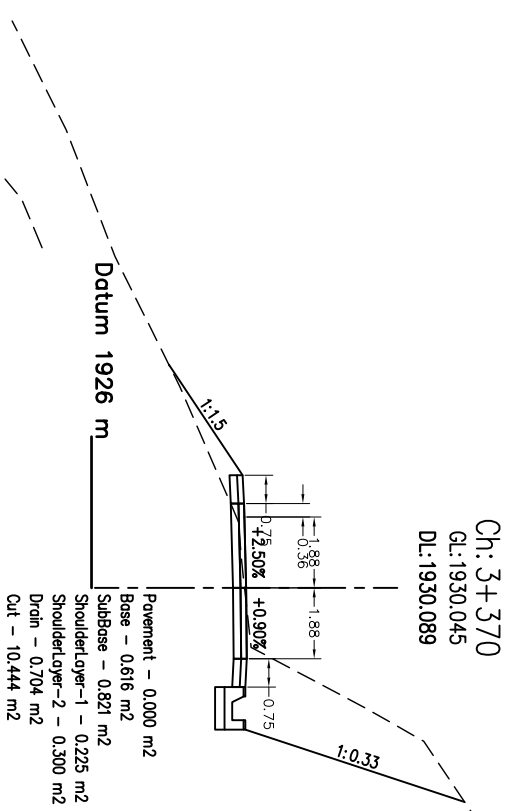
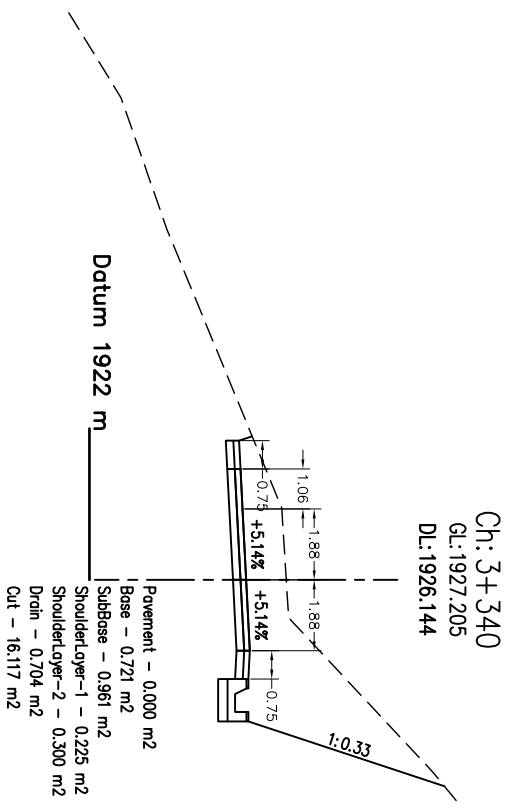
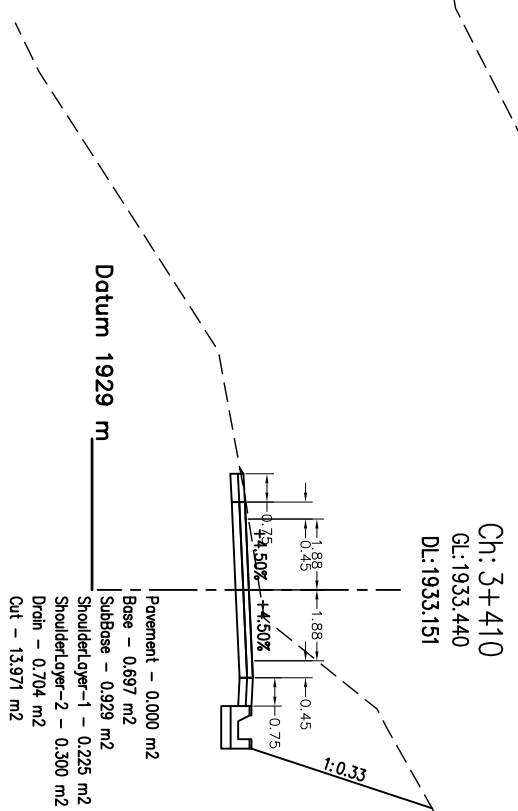
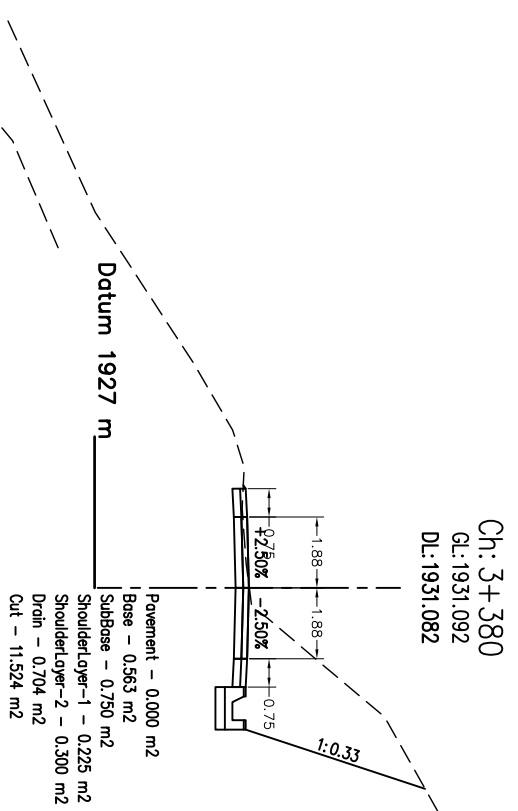
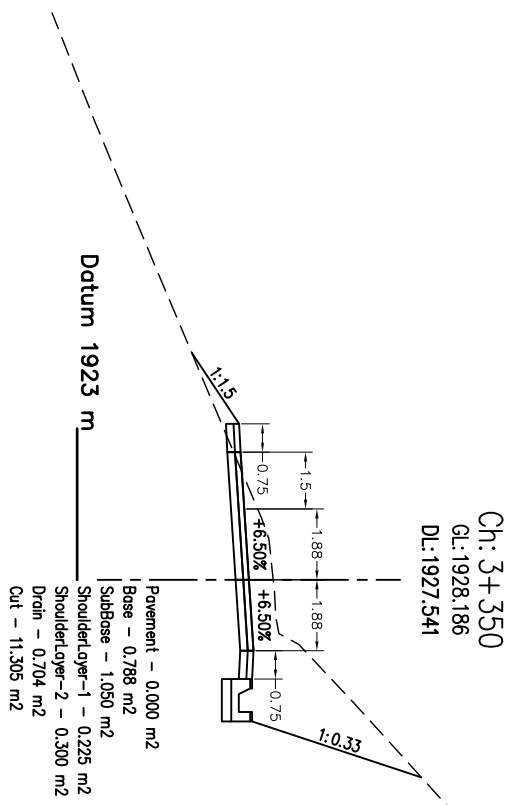
Ch: 3+270
 G.L: 1917.048
 D.L: 1916.365



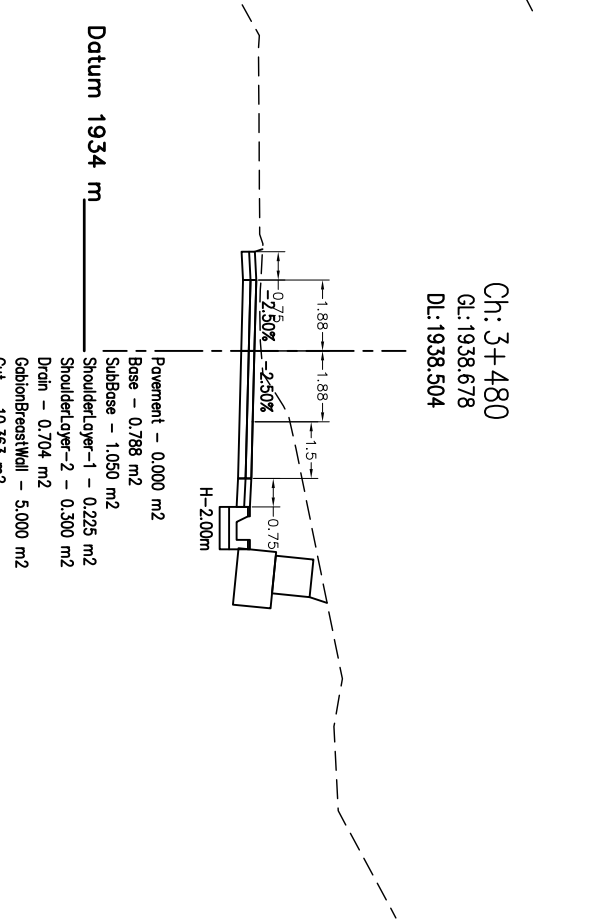
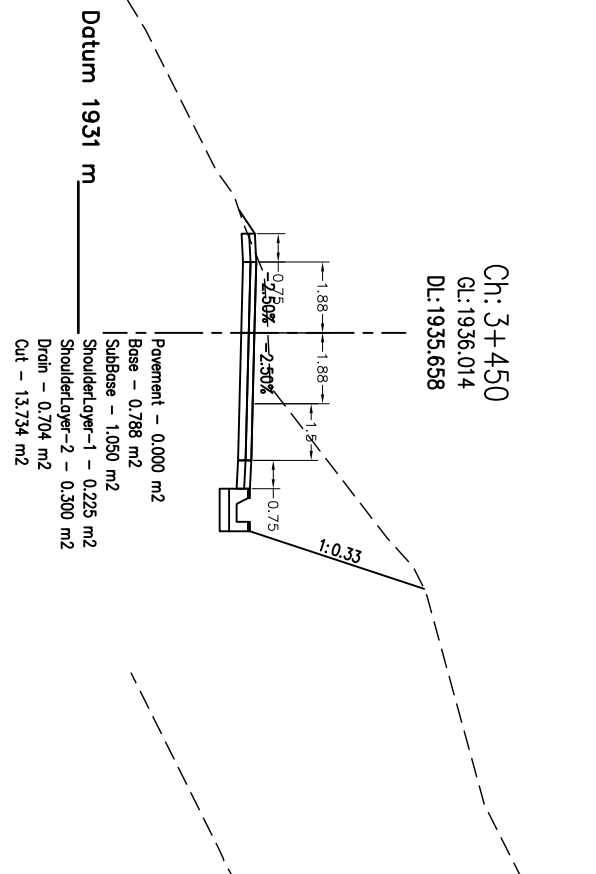
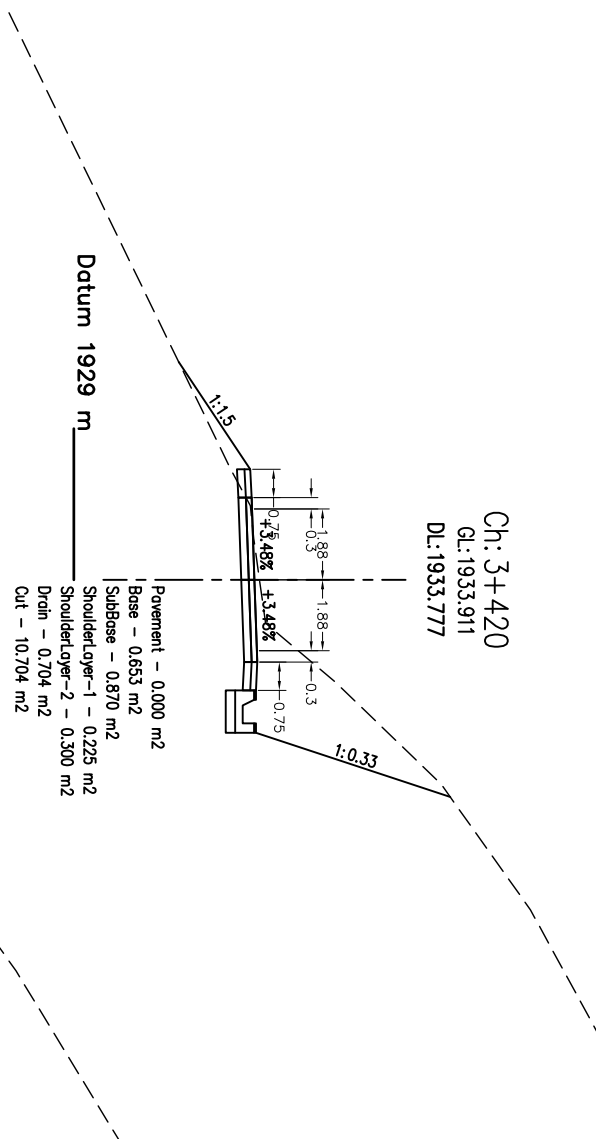
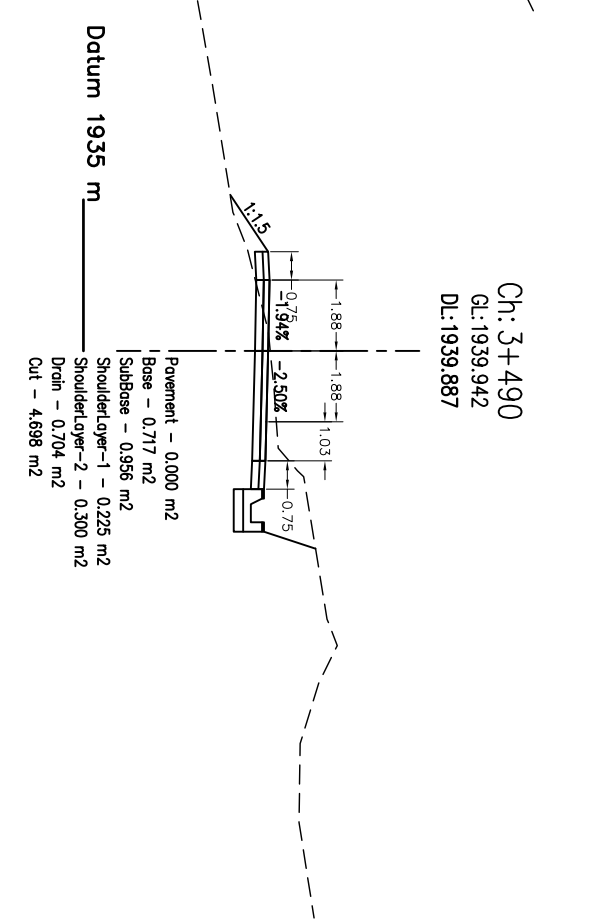
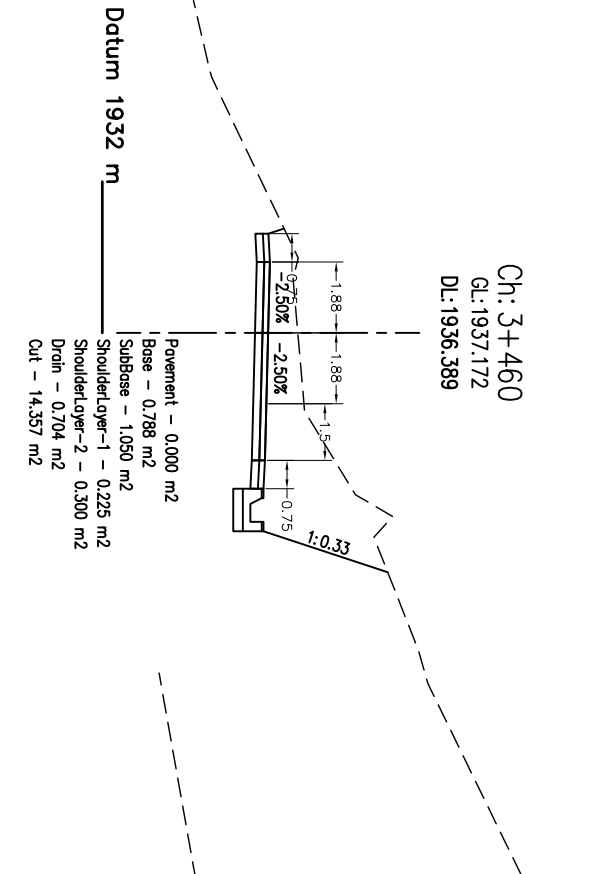
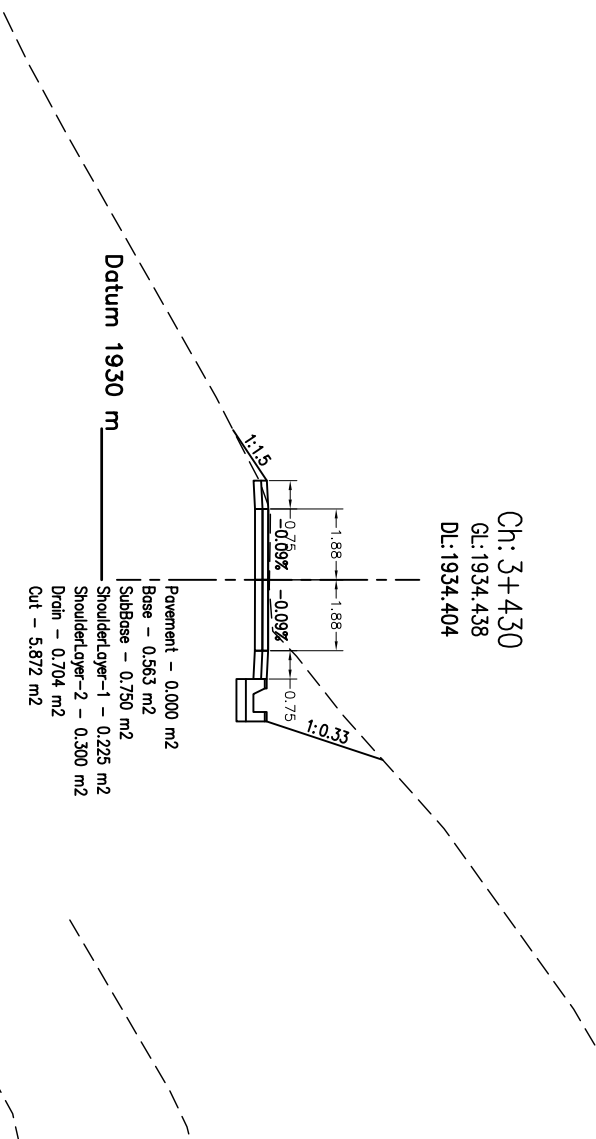
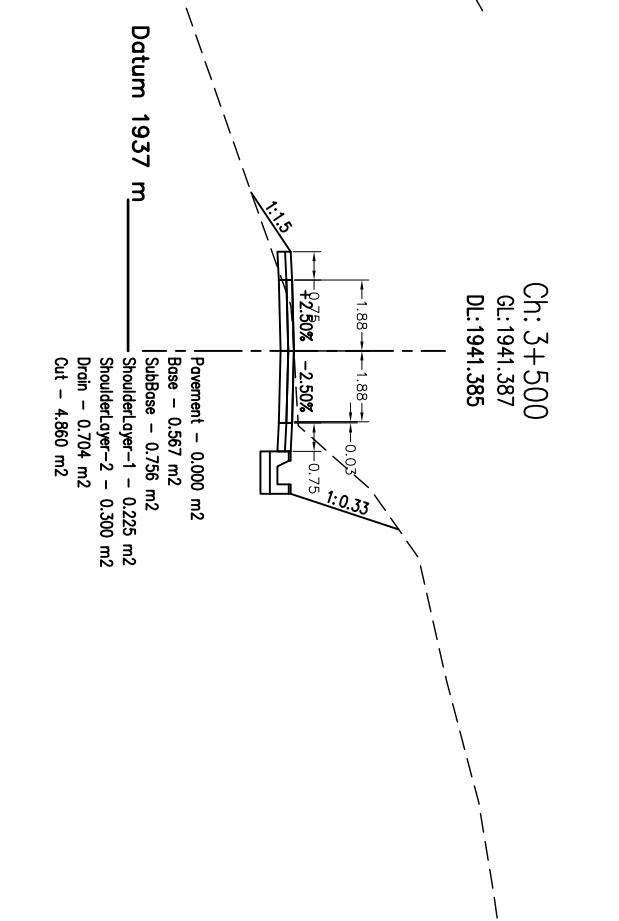
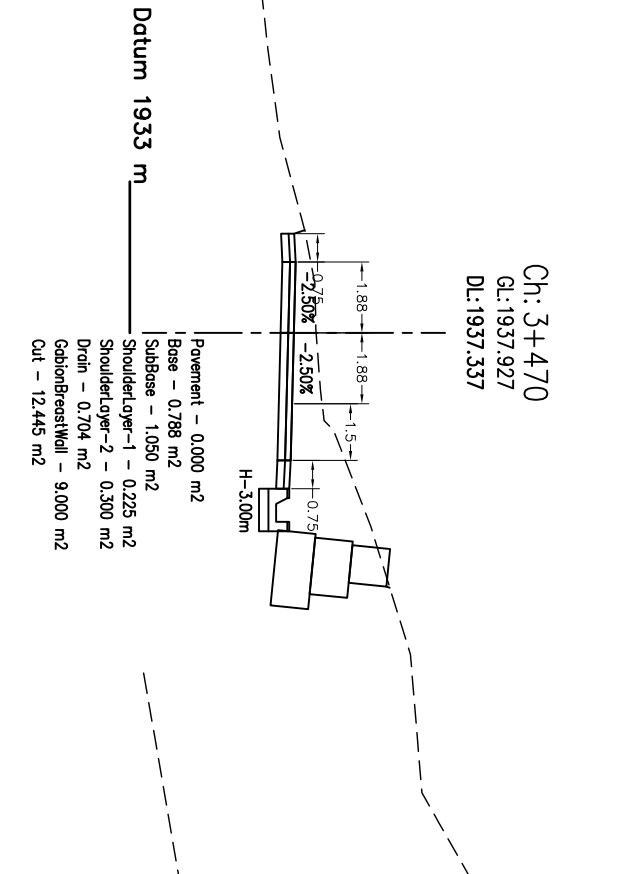
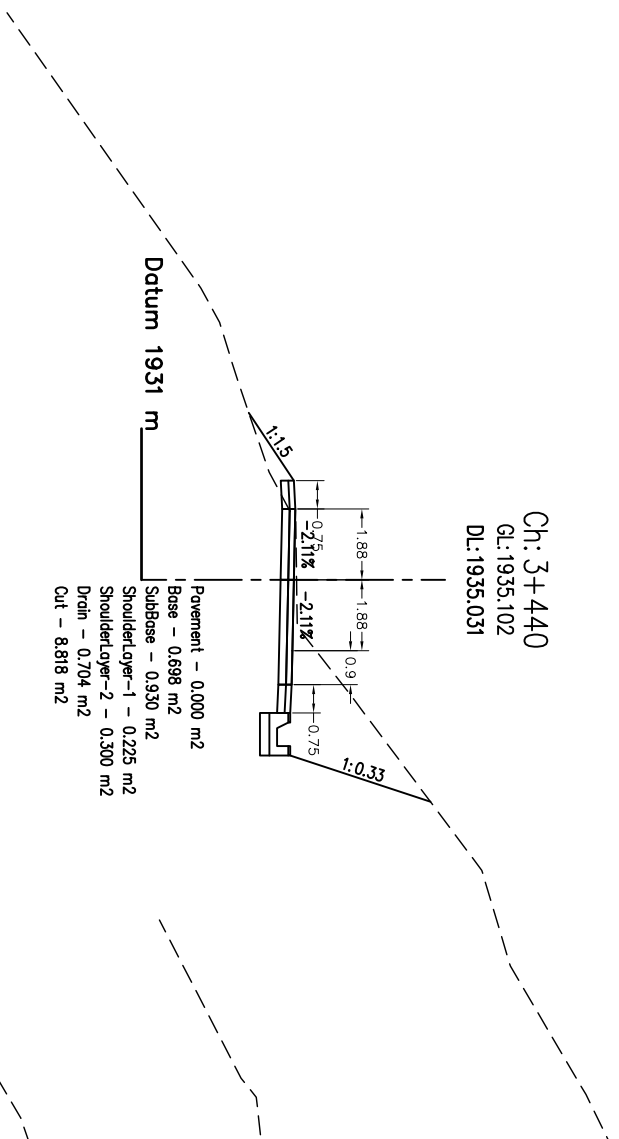
Ch: 3+300
 G.L: 1922.059
 D.L: 1920.556



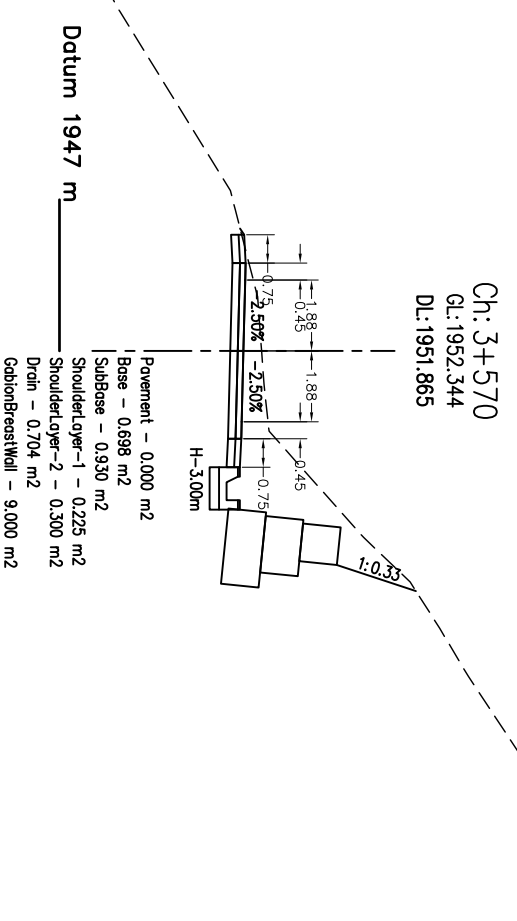
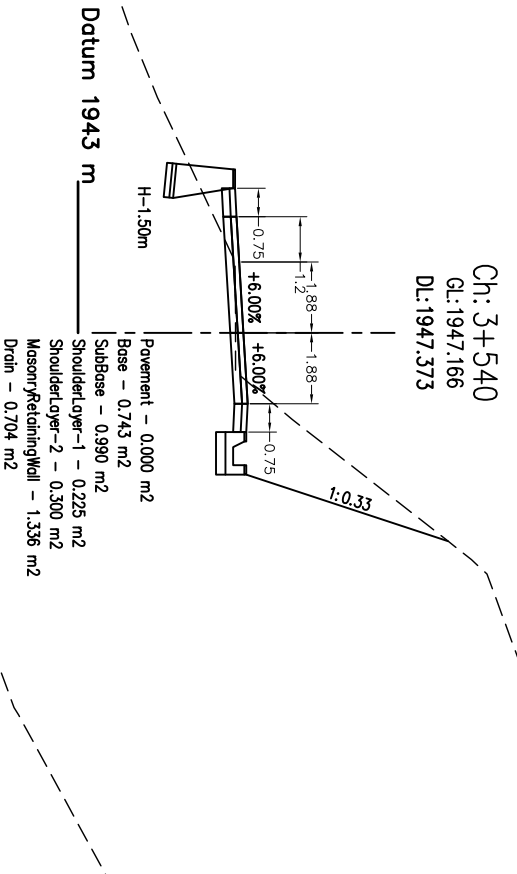
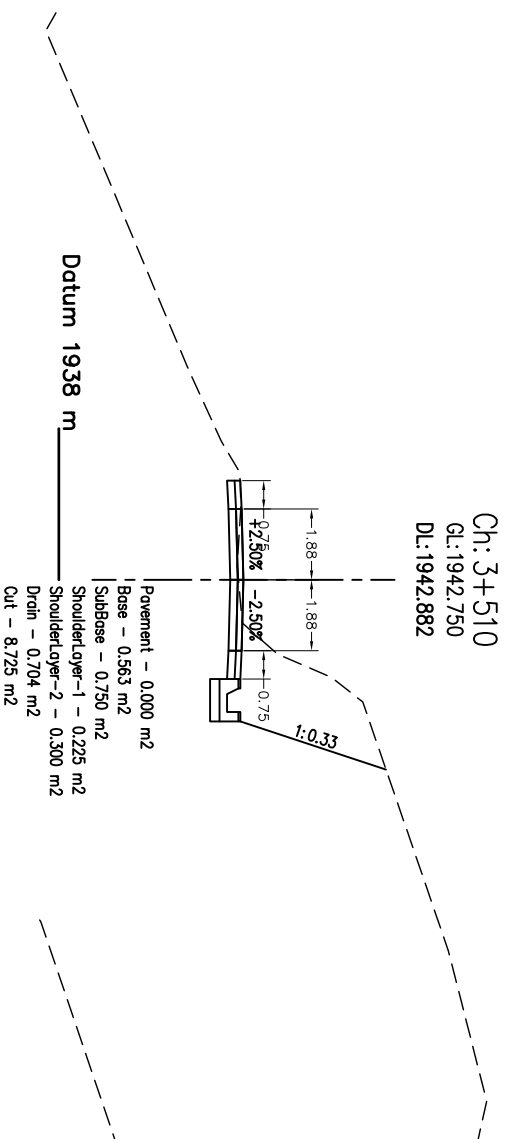
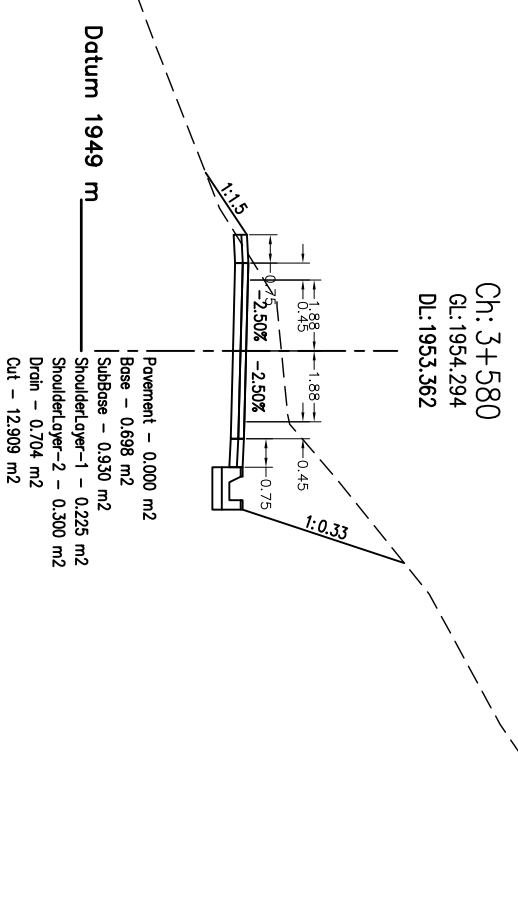
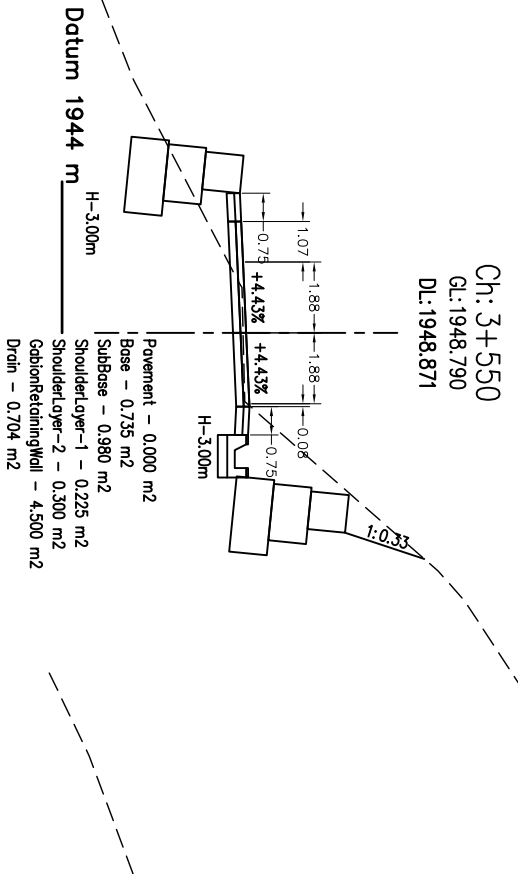
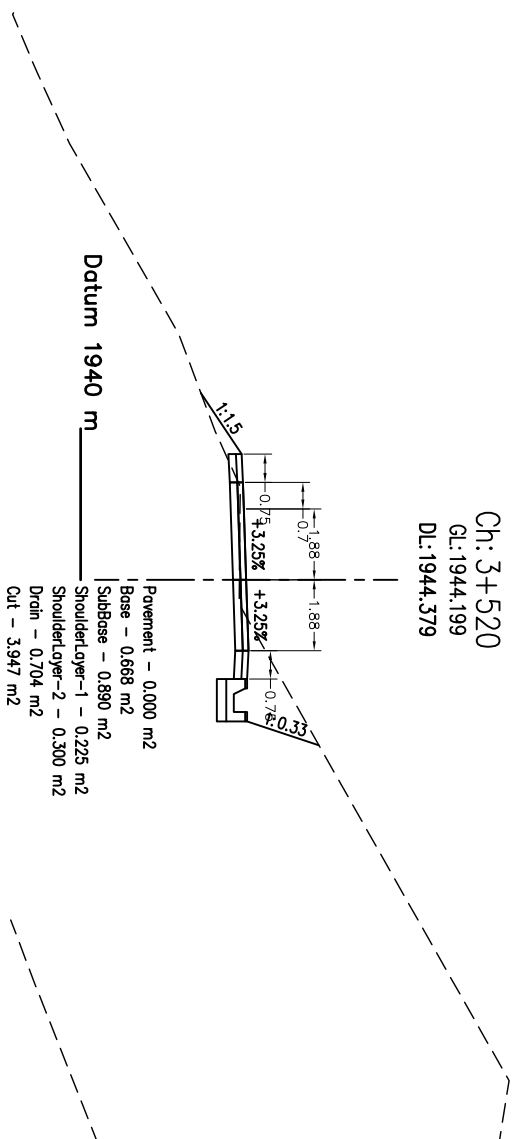
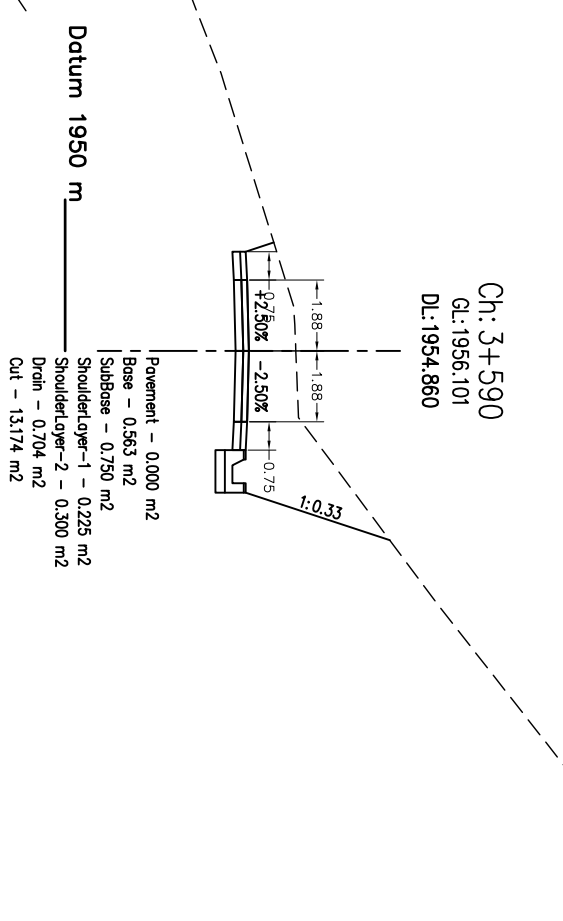
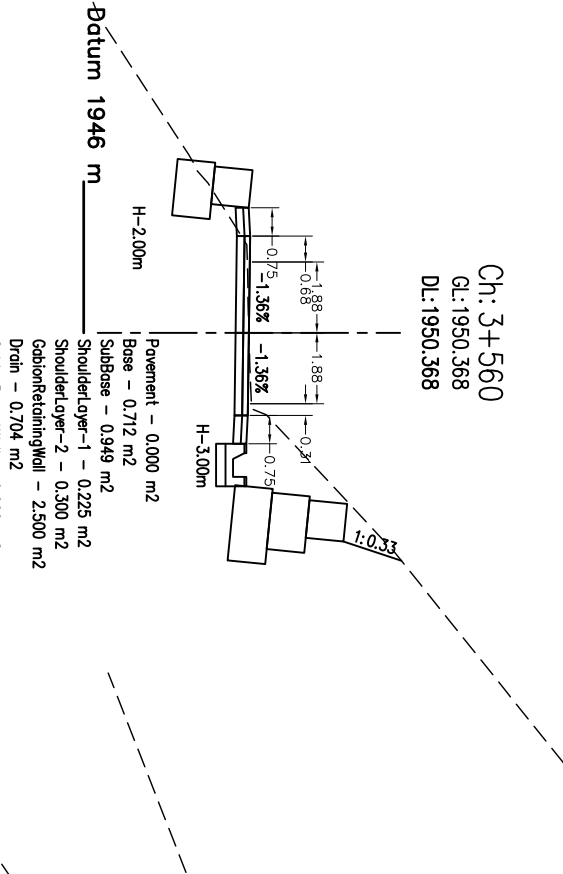
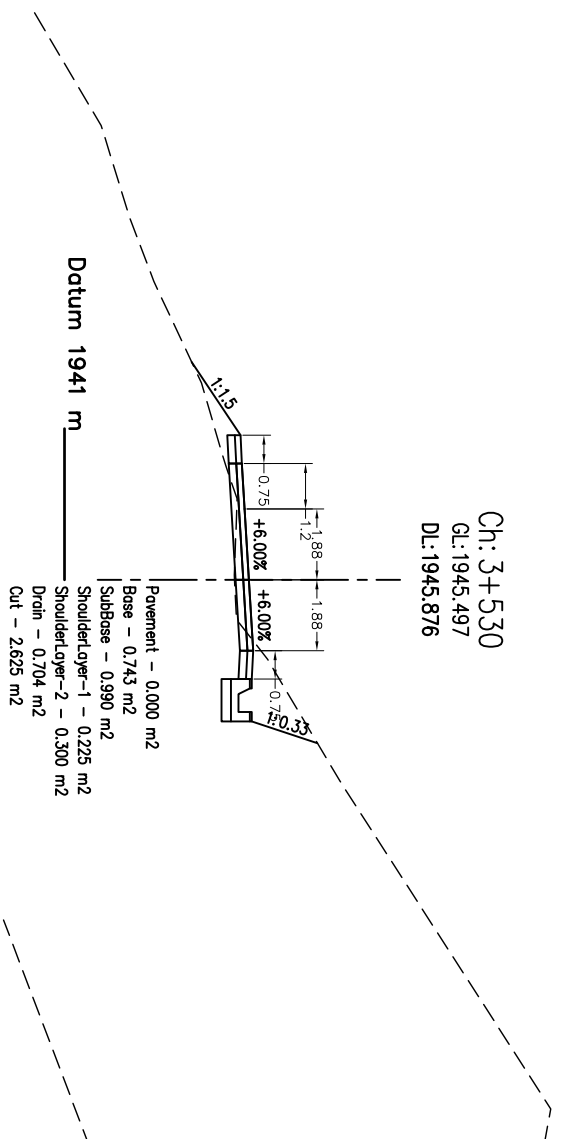
Government of Nepal Ministry of Federal Affairs and General Administration Department of Local Infrastructure (DoLI) Rural Connectivity Improvement Project-Phase 2 (DoLI/RICIP/DPR-04/2019)		CONSULTANT: ITECO - INCLUSIVE JV Sitapalla Chowk, Ring Road		ROAD NAME : Sisaghadhi-Jhumlabang-Ransi Road		DATE		REVISION		SIGNATURE		DESIGNED BY :		SCALE		Cross-Section 3+240-3+320		DATE: February 2022			
												DRAWN BY :		1:2000				DRG NO. : 1			
												CHECKED BY :		4m				APPROVED BY :		SHEET NO. : 37	



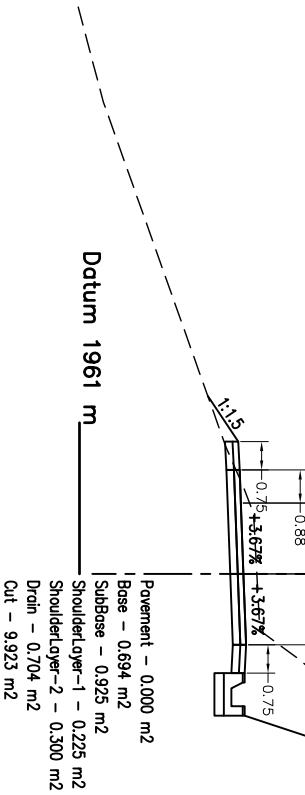
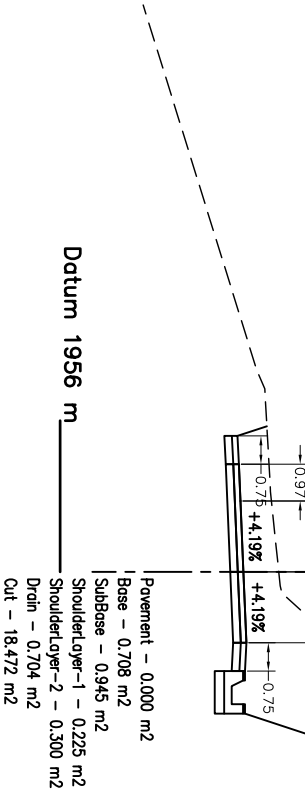
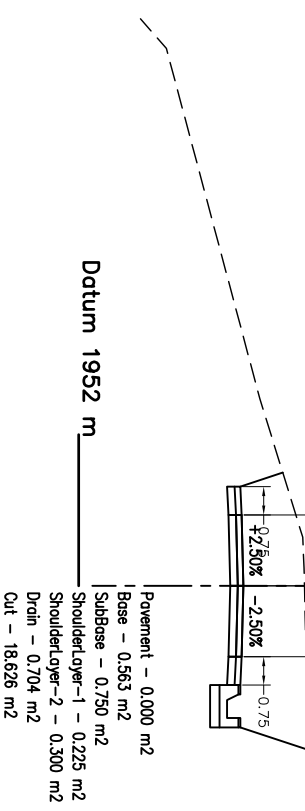
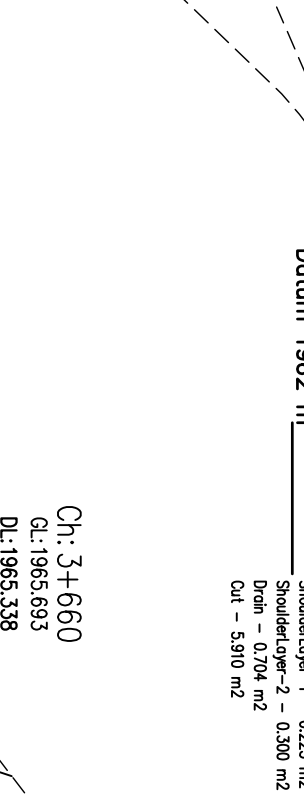
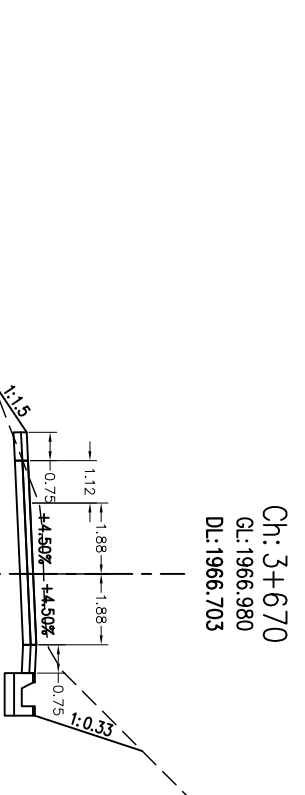
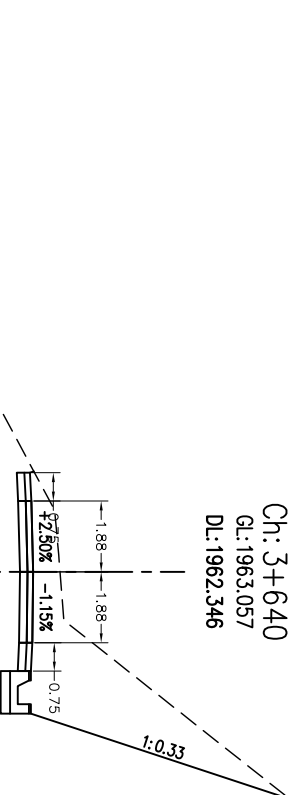
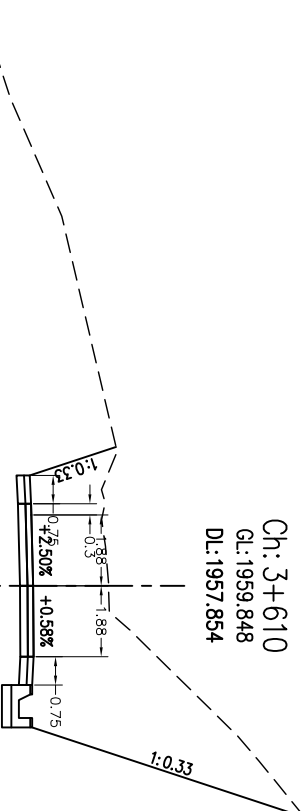
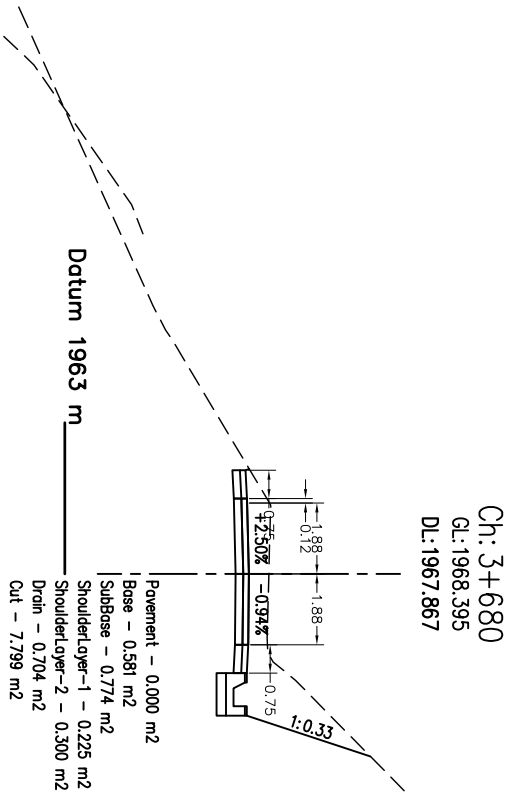
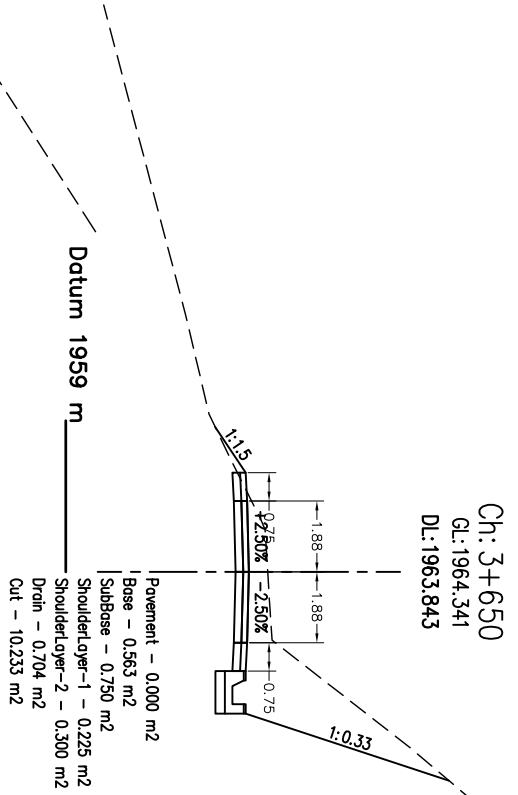
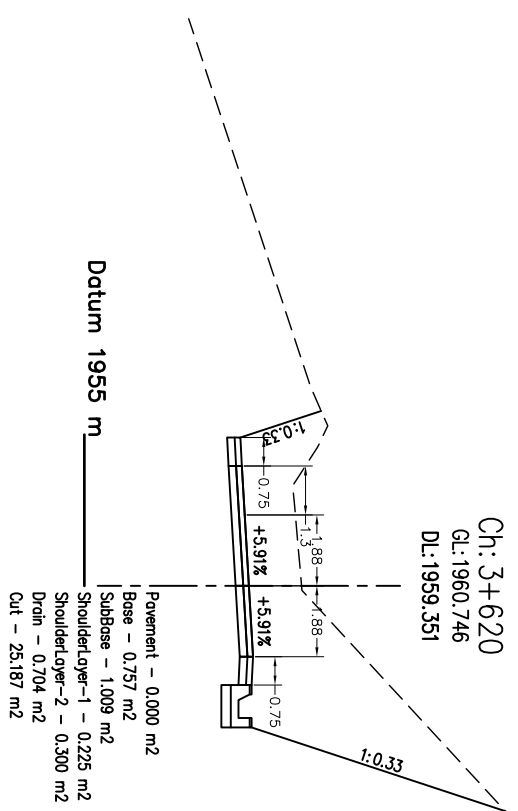
Government of Nepal Ministry of Federal Affairs and General Administration Department of Local Infrastructure (DoLI) Rural Connectivity Improvement Project-Phase 2 (DoLI/RCIP/DPR-04/2019)		CONSULTANT: ITECO - INCLUSIVE JV Sitapalla Chowk, Ring Road		ROAD NAME : Sisaghadhi-Jhumbhang-Ransi Road Rukum (East) District		DATE	REVISION	SIGNATURE	DESIGNED BY :	SCALE	Cross-Section	DATE: February 2022
									DRAWN BY :		3+330-3+410	DRG NO. :
									CHECKED BY :			1
									APPROVED BY :			38



Government of Nepal Ministry of Federal Affairs and General Administration Department of Local Infrastructure (DoLI) Rural Connectivity Improvement Project-Phase 2 (DoLI/RCP/IDPR-04/2019)		CONSULTANT: ITECO - INCLUSIVE JV Sitapalla Chowk, Ring Road		ROAD NAME : Sisaghadh-Jhunjhang-Ransi Road Rukum (East) District		DATE	REVISION	SIGNATURE	DESIGNED BY :	SCALE 	Cross-Section 3+420-3+500	DATE: February 2022
								CHECKED BY :	DRG NO. : 1			SHEET NO. : 39



Government of Nepal Ministry of Federal Affairs and General Administration Department of Local Infrastructure (DoLI) Rural Connectivity Improvement Project-Phase 2 (DoLI/RICIP/DPR-04/2019)		CONSULTANT: ITECO - INCLUSIVE JV Sitapalla Chowk, Ring Road		ROAD NAME: Sisaghad-Jhumlabang-Ransi Road Rukum (East) District		DATE		REVISION		SIGNATURE		DESIGNED BY:		SCALE 2m 0 1:200 4m		Cross-Section 3+510-3+590		DATE: February 2022	
												DRAWN BY:						DRG NO.: 1	
												CHECKED BY:						SHEET NO.: 40	
												APPROVED BY:							



Government of Nepal
 Ministry of Federal Affairs and General Administration
 Department of Local Infrastructure (DoLI)
 Rural Connectivity Improvement Project-phase 2
 (DoLI/RCIP/DPR-04/2019)

CONSULTANT:
ITECO - INCLUSIVE JV
 Sitapalla Chowk, Ring Road

ROAD NAME :
 Sisaghadhi-Jhumbhang-Ransi Road

Rukum (East) District

DATE

REVISION

SIGNATURE

DESIGNED BY :

DRAWN BY :

CHECKED BY :

APPROVED BY :

SCALE

Cross-Section

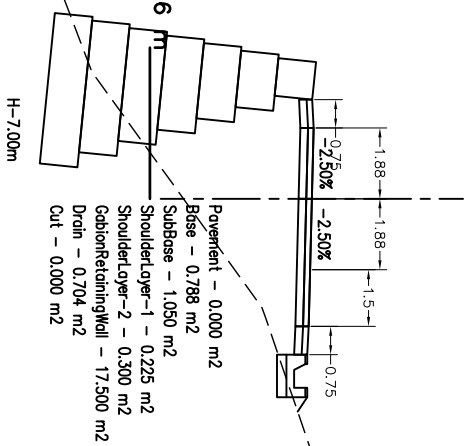
3+600-3+680

DATE: February 2022

DRG NO. : 1

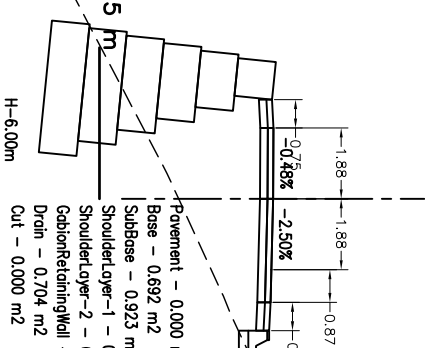
SHEET NO. : 41

Ch: 3+710
 G.L: 1966.888
 D.L: 1970.284



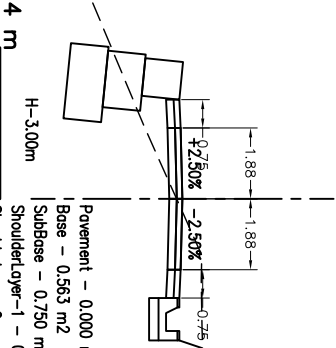
Pavement - 0.000 m²
 Base - 0.788 m²
 Subbase - 1.050 m²
 Shoulder Layer-1 - 0.225 m²
 Shoulder Layer-2 - 0.300 m²
 GabionRetainingWall - 17.500 m²
 Drain - 0.704 m²
 Cut - 0.000 m²

Ch: 3+700
 G.L: 1967.093
 D.L: 1969.593



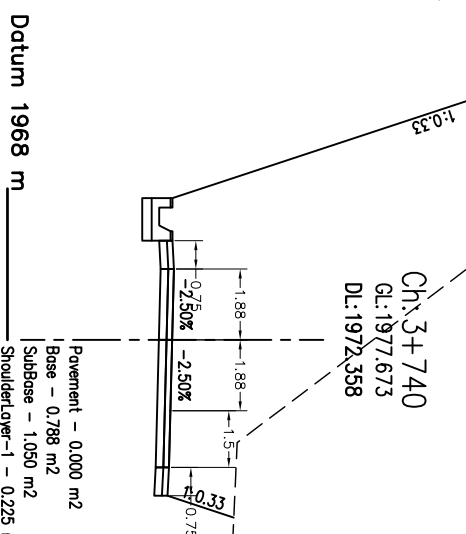
Pavement - 0.000 m²
 Base - 0.692 m²
 Subbase - 0.923 m²
 Shoulder Layer-1 - 0.225 m²
 Shoulder Layer-2 - 0.300 m²
 GabionRetainingWall - 13.500 m²
 Drain - 0.704 m²
 Cut - 0.000 m²

Ch: 3+690
 G.L: 1968.674
 D.L: 1968.829



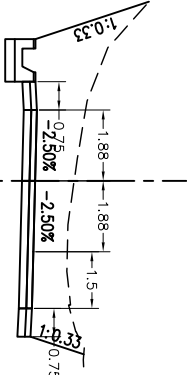
Pavement - 0.000 m²
 Base - 0.563 m²
 Subbase - 0.750 m²
 Shoulder Layer-1 - 0.225 m²
 Shoulder Layer-2 - 0.300 m²
 GabionRetainingWall - 4.500 m²
 Drain - 0.704 m²
 Cut - 2.628 m²

Ch: 3+740
 G.L: 1977.673
 D.L: 1972.358



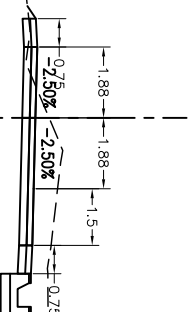
Pavement - 0.000 m²
 Base - 0.788 m²
 Subbase - 1.050 m²
 Shoulder Layer-1 - 0.225 m²
 Shoulder Layer-2 - 0.300 m²
 Drain - 0.704 m²
 Cut - 68.999 m²

Ch: 3+730
 G.L: 1972.697
 D.L: 1971.667



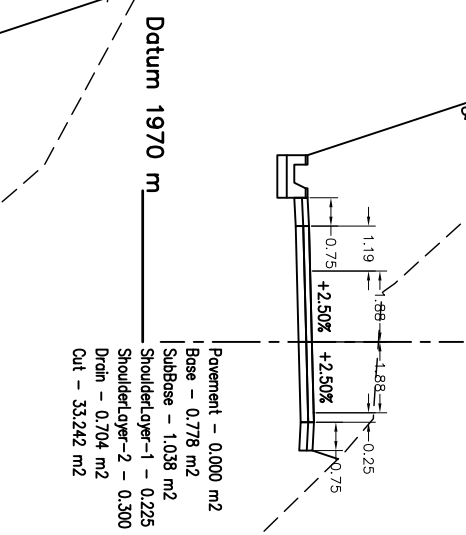
Pavement - 0.000 m²
 Base - 0.788 m²
 Subbase - 1.050 m²
 Shoulder Layer-1 - 0.225 m²
 Shoulder Layer-2 - 0.300 m²
 Drain - 0.704 m²
 Cut - 12.955 m²

Ch: 3+720
 G.L: 1971.335
 D.L: 1970.975



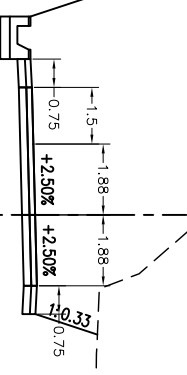
Pavement - 0.000 m²
 Base - 0.788 m²
 Subbase - 1.050 m²
 Shoulder Layer-1 - 0.225 m²
 Shoulder Layer-2 - 0.300 m²
 Drain - 0.704 m²
 Cut - 5.057 m²

Ch: 3+770
 G.L: 1976.237
 D.L: 1974.476



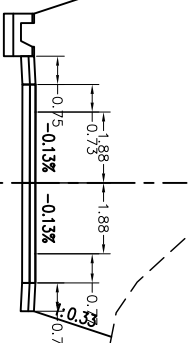
Pavement - 0.000 m²
 Base - 0.778 m²
 Subbase - 1.038 m²
 Shoulder Layer-1 - 0.225 m²
 Shoulder Layer-2 - 0.300 m²
 Drain - 0.704 m²
 Cut - 33.242 m²

Ch: 3+760
 G.L: 1978.281
 D.L: 1973.741

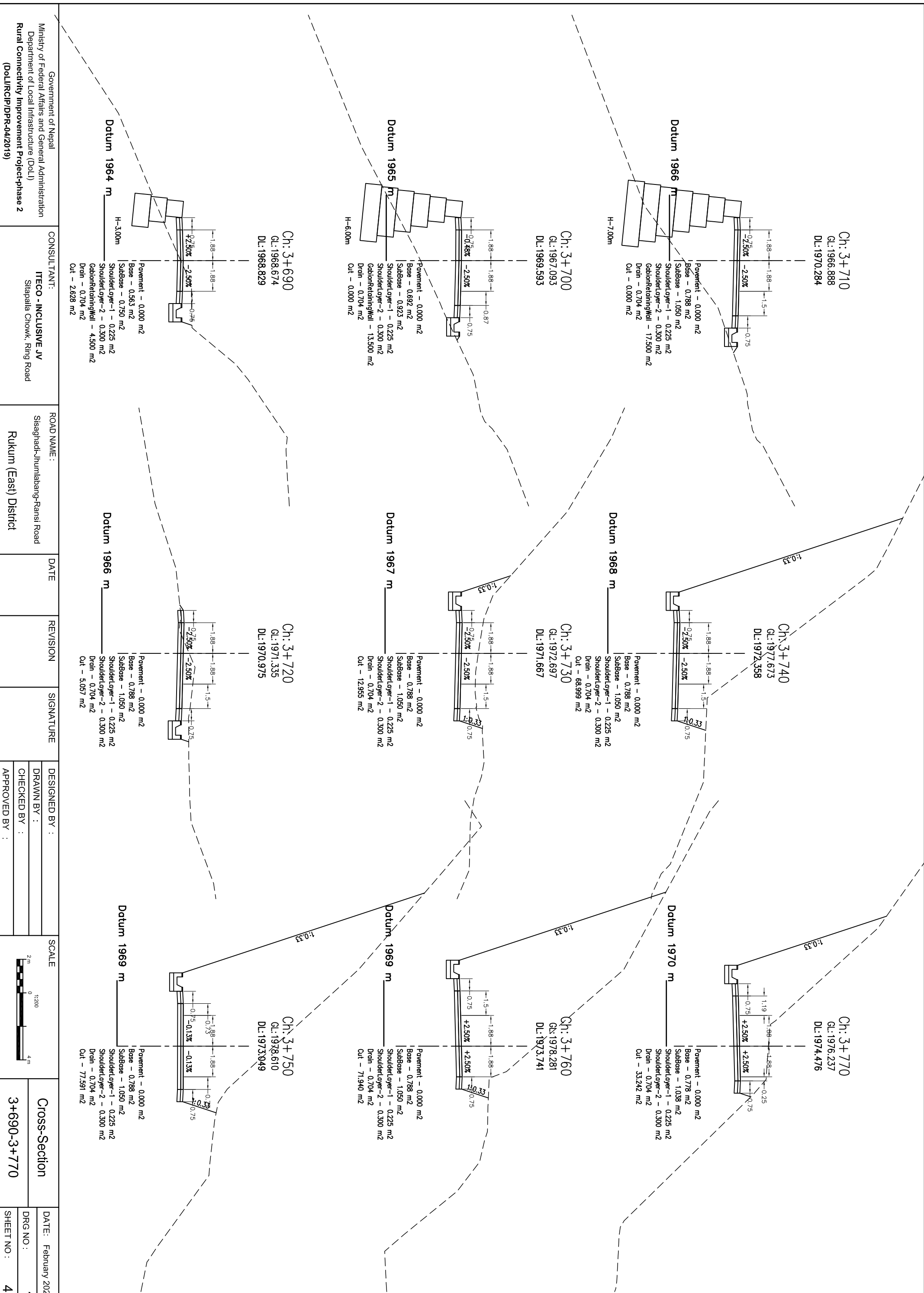


Pavement - 0.000 m²
 Base - 0.788 m²
 Subbase - 1.050 m²
 Shoulder Layer-1 - 0.225 m²
 Shoulder Layer-2 - 0.300 m²
 Drain - 0.704 m²
 Cut - 71.940 m²

Ch: 3+750
 G.L: 1978.610
 D.L: 1973.049



Pavement - 0.000 m²
 Base - 0.788 m²
 Subbase - 1.050 m²
 Shoulder Layer-1 - 0.225 m²
 Shoulder Layer-2 - 0.300 m²
 Drain - 0.704 m²
 Cut - 77.591 m²



Government of Nepal
 Ministry of Federal Affairs and General Administration
 Department of Local Infrastructure (DoLI)
 Rural Connectivity Improvement Project-Phase 2
 (DoLI/RCP/IDPR-04/2019)

CONSULTANT:
ITECO - INCLUSIVE JV
 Sitapalla Chowk, Ring Road

ROAD NAME :
 Sisaghad-Jhumlabang-Ransi Road

Rukum (East) District

DATE

REVISION

SIGNATURE

DESIGNED BY :

DRAWN BY :

CHECKED BY :

APPROVED BY :

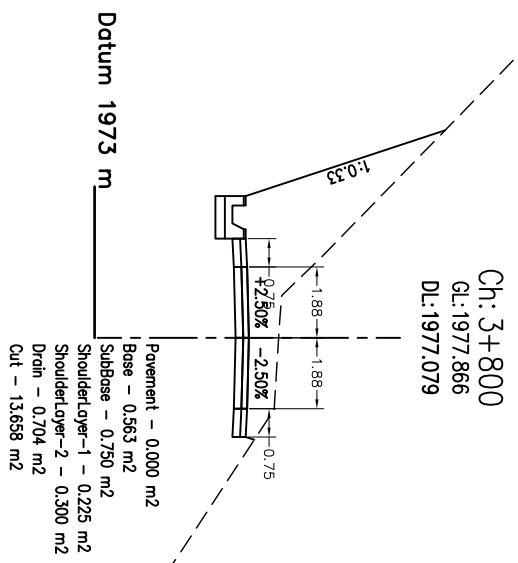
SCALE

Cross-Section
3+690-3+770

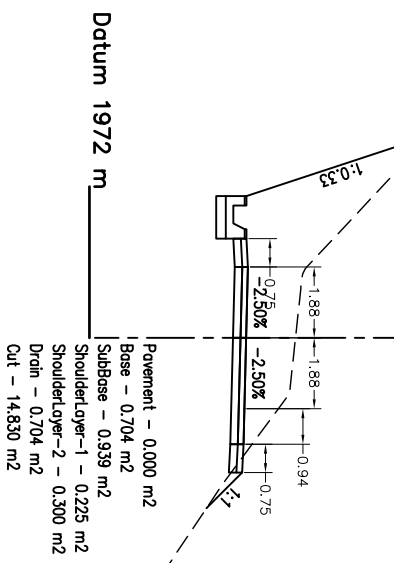
DATE: February 2022

DRG NO. : **1**

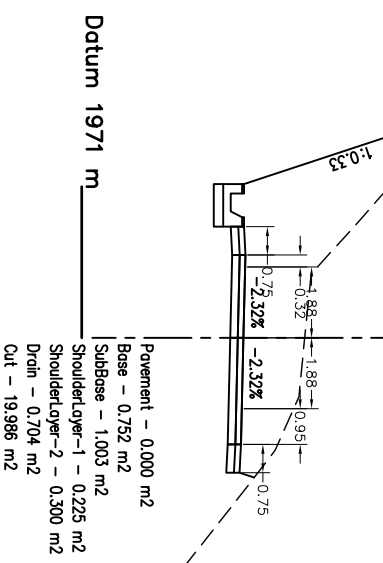
SHEET NO. : **42**



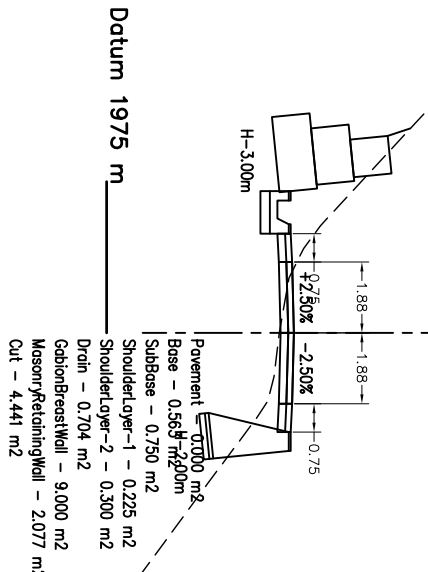
Ch: 3+790
 G.L: 1977.450
 D.L: 1976.145



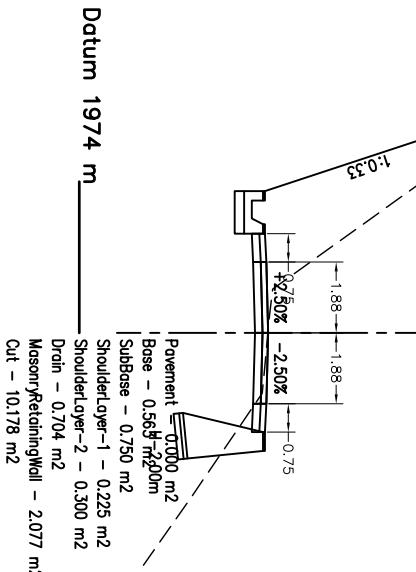
Ch: 3+780
 G.L: 1976.897
 D.L: 1975.277



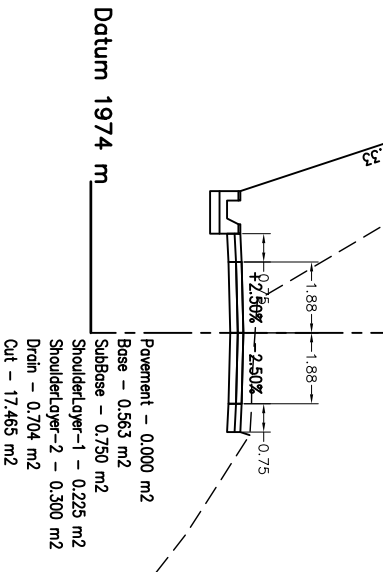
Ch: 3+830
 G.L: 1979.569
 D.L: 1979.955



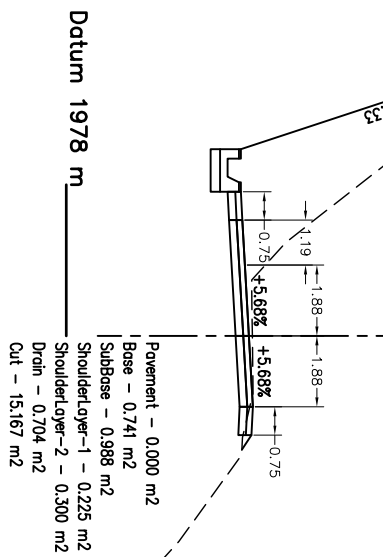
Ch: 3+820
 G.L: 1978.988
 D.L: 1978.996



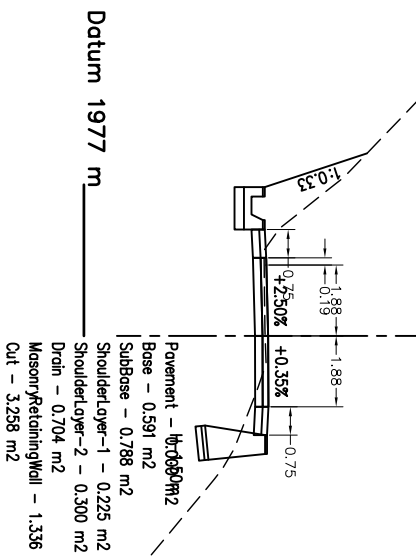
Ch: 3+810
 G.L: 1978.345
 D.L: 1978.038



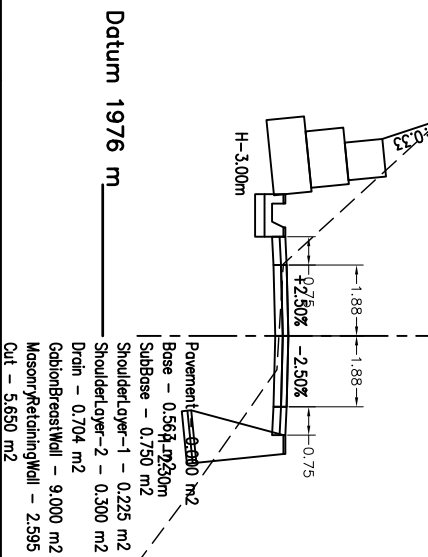
Ch: 3+860
 G.L: 1982.923
 D.L: 1982.831



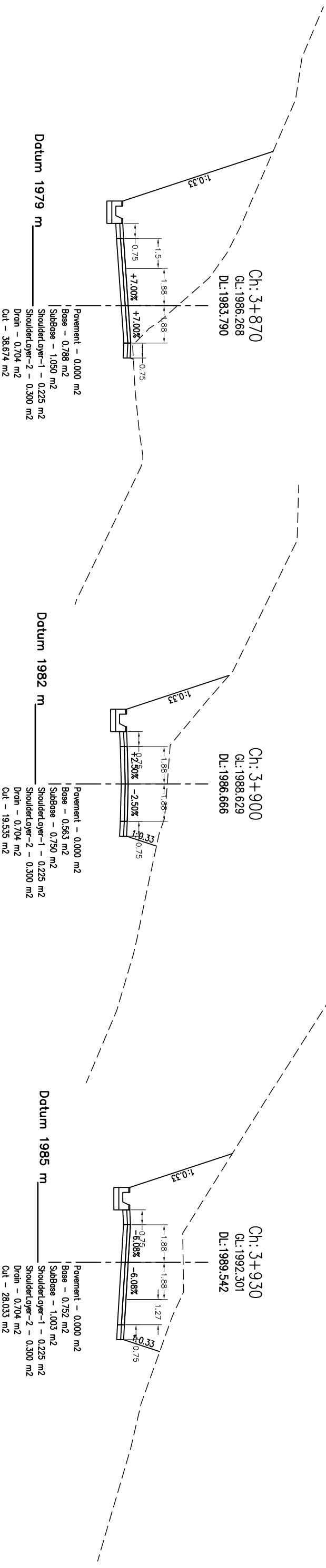
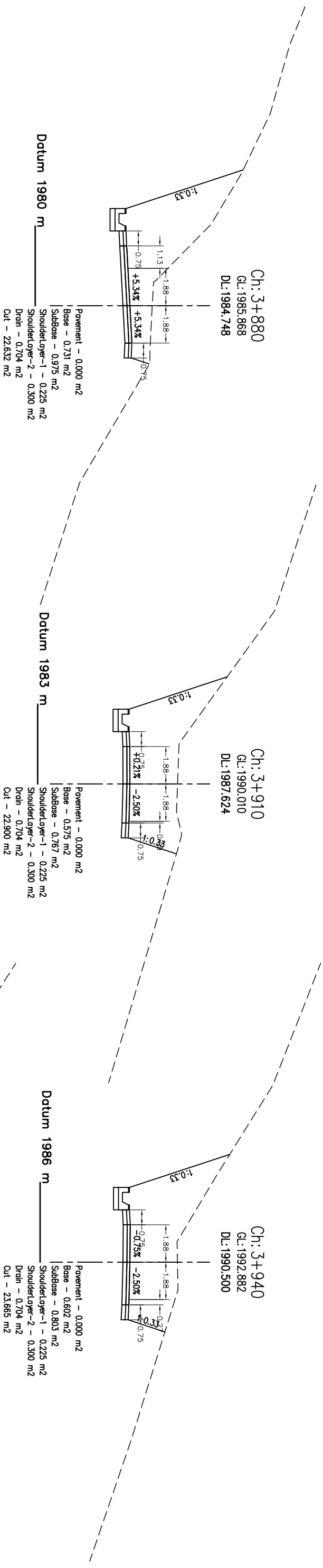
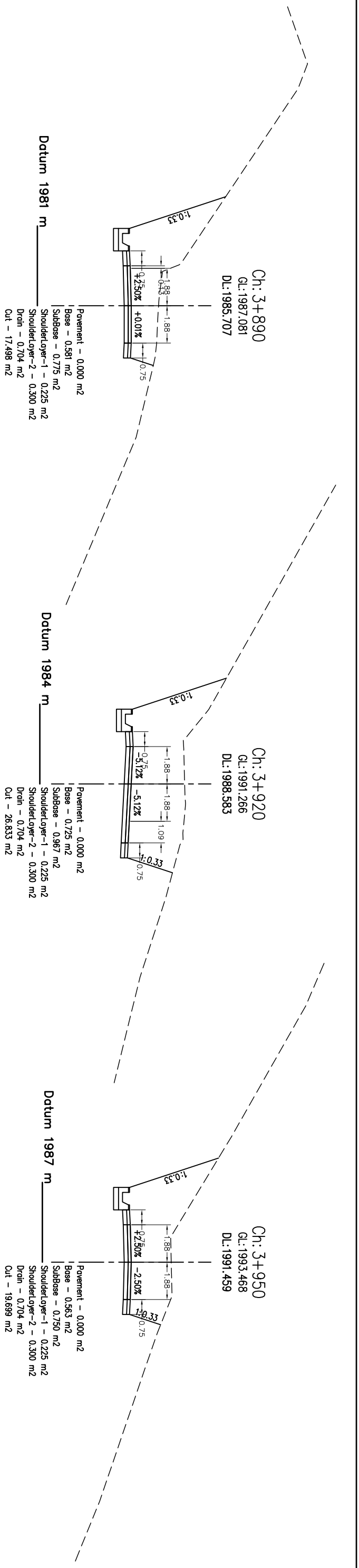
Ch: 3+850
 G.L: 1981.794
 D.L: 1981.872



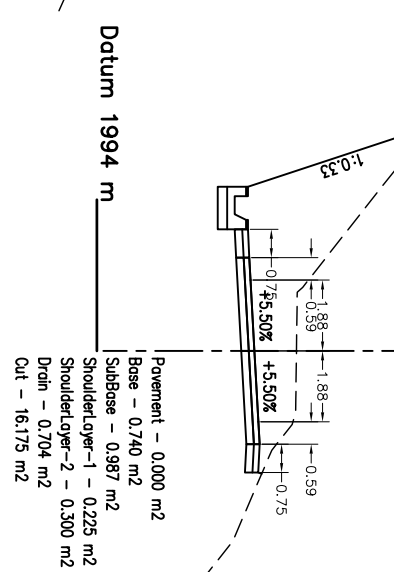
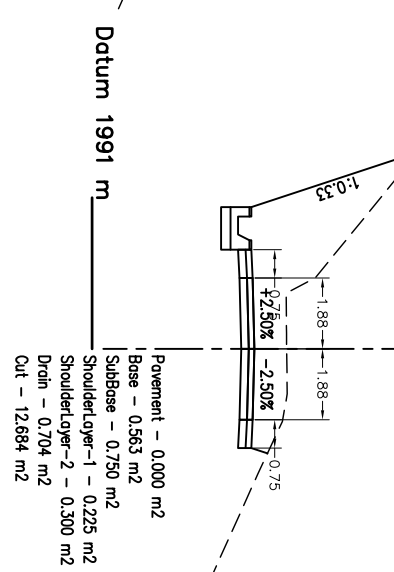
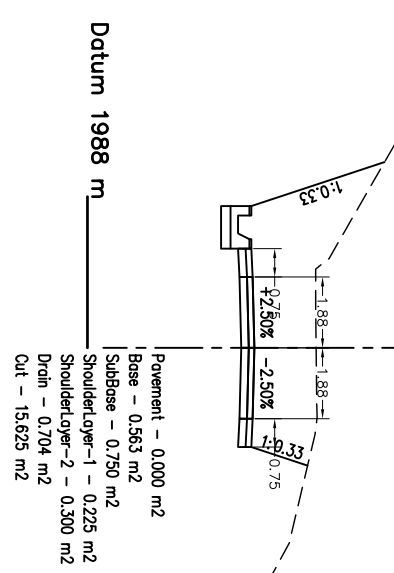
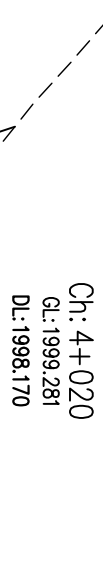
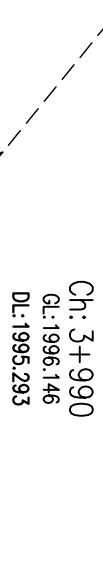
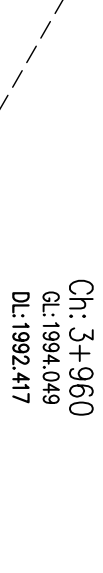
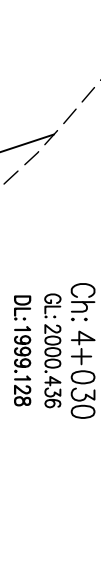
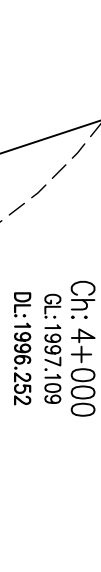
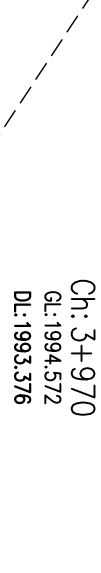
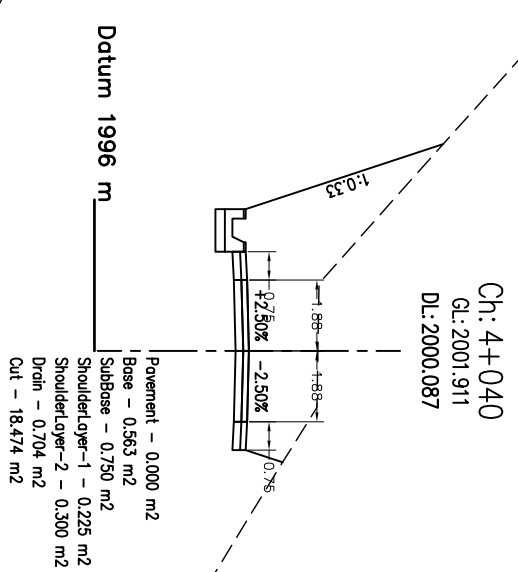
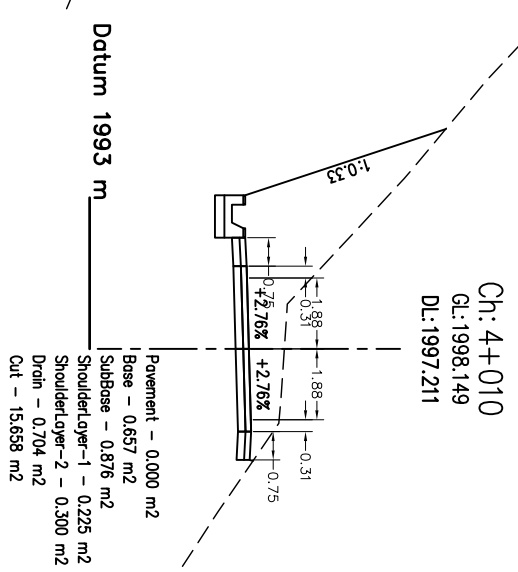
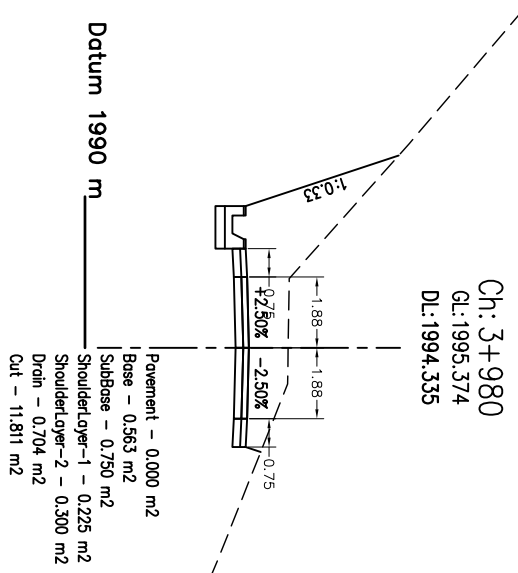
Ch: 3+840
 G.L: 1980.662
 D.L: 1980.914



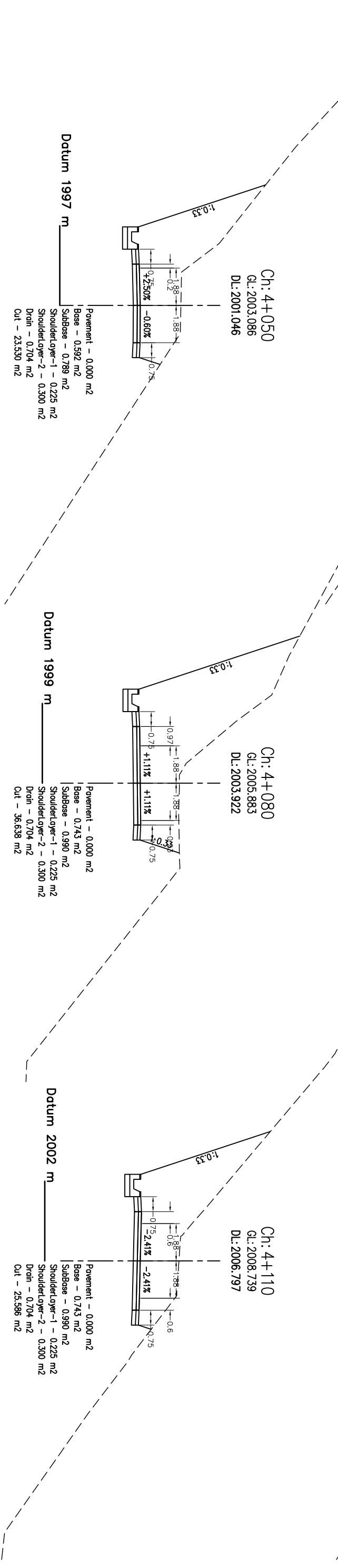
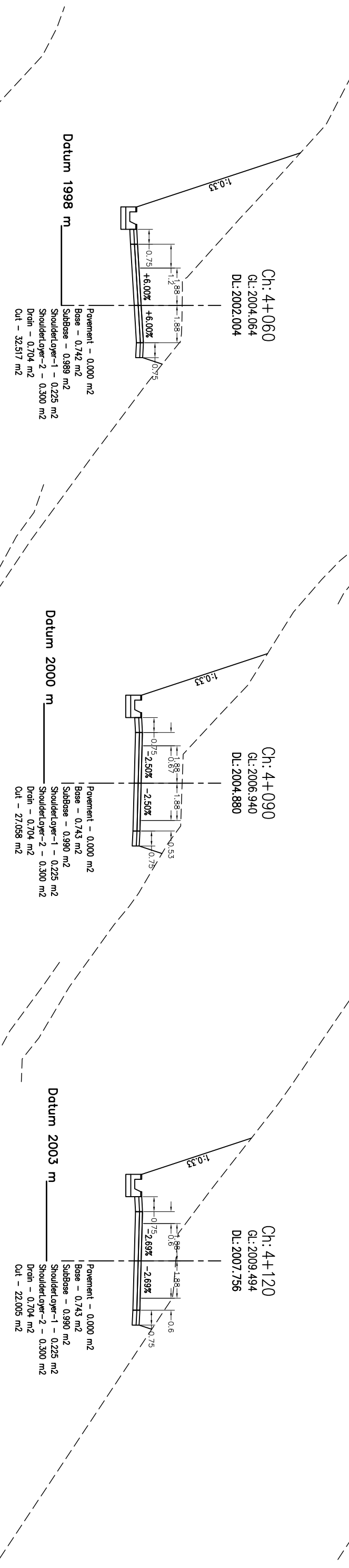
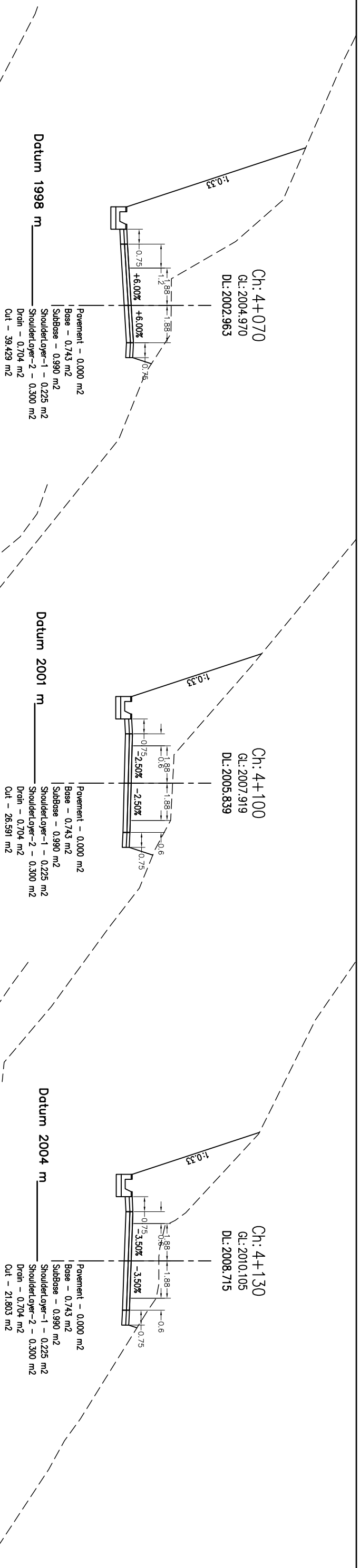
Government of Nepal Ministry of Federal Affairs and General Administration Department of Local Infrastructure (DoLI) Rural Connectivity Improvement Project-Phase 2 (DoLI/RCIP/IDPR-04/2019)		CONSULTANT: ITECO - INCLUSIVE JV Sitapalla Chowk, Ring Road		ROAD NAME : Sisaghadh-Jhumlabang-Ransi Road		Rukum (East) District	
DATE	REVISION	SIGNATURE	DESIGNED BY :	DRAWN BY :	CHECKED BY :	APPROVED BY :	
SCALE 2m 0 1:200 4m		Cross-Section 3+780-3+860		DATE: February 2022		DRG NO. : 1	
						SHEET NO. : 43	



Government of Nepal Ministry of Federal Affairs and General Administration Department of Local Infrastructure (DoLI) Rural Connectivity Improvement Project-phase 2 (DoLI/RCP/IDPR-04/2019)		CONSULTANT: ITECO - INCLUSIVE JV Sitapalla Chowk, Ring Road		ROAD NAME : Sisaghad-humlabang-Ransi Road Rukum (East) District		DATE	REVISION	SIGNATURE	DESIGNED BY :	SCALE	Cross-Section 3+870-3+950	DATE: February 2022
DRAWN BY : CHECKED BY : APPROVED BY :										DRG NO. : 1 SHEET NO. : 44		

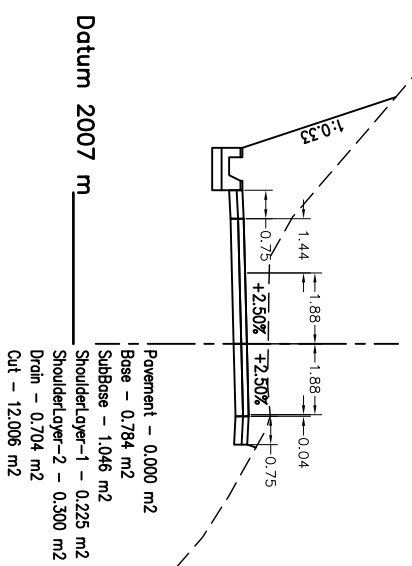


Government of Nepal Ministry of Federal Affairs and General Administration Department of Local Infrastructure (DoLI) Rural Connectivity Improvement Project-Phase 2 (DoLI/RCP/IDPR-04/2019)		CONSULTANT: ITECO - INCLUSIVE JV Sitapalla Chowk, Ring Road		ROAD NAME : Sisaghadhi-Jhumbhang-Ransi Road		DATE		REVISION		SIGNATURE		DESIGNED BY :		SCALE		Cross-Section		DATE: February 2022	
				Rukum (East) District								DRAWN BY :		1:200		3+960-4+040		DRG NO. : 1	
												CHECKED BY :		4m				SHEET NO. : 45	
												APPROVED BY :							

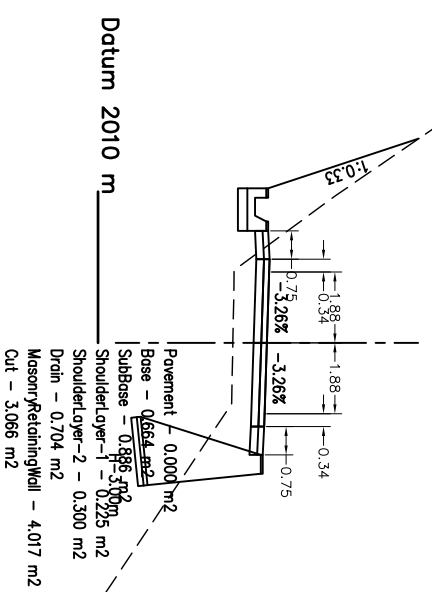


Government of Nepal Ministry of Federal Affairs and General Administration Department of Local Infrastructure (DoLI) Rural Connectivity Improvement Project-Phase 2 (DoLI/RCP/IDPR-04/2019)		CONSULTANT: ITECO - INCLUSIVE JV Sitapalla Chowk, Ring Road		ROAD NAME : Sisaghadh-Jhumbhang-Ransi Road Rukum (East) District		DATE	REVISION	SIGNATURE	DESIGNED BY :	SCALE	Cross-Section 4+050-4+130	DATE: February 2022
								DRAWN BY : CHECKED BY : APPROVED BY :		DRG NO. : 1 SHEET NO. : 46		

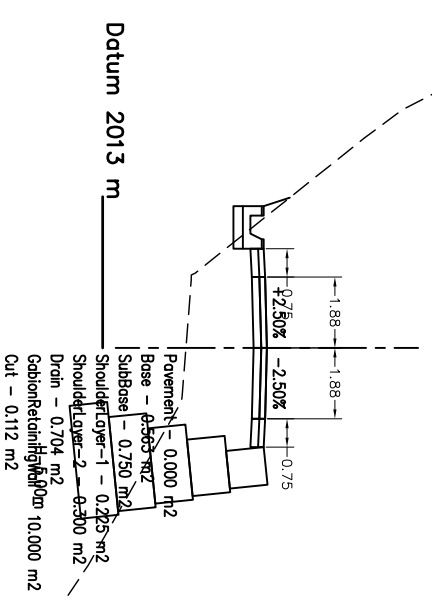
Ch: 4+160
 G.L: 2012.155
 D.L: 2011.591



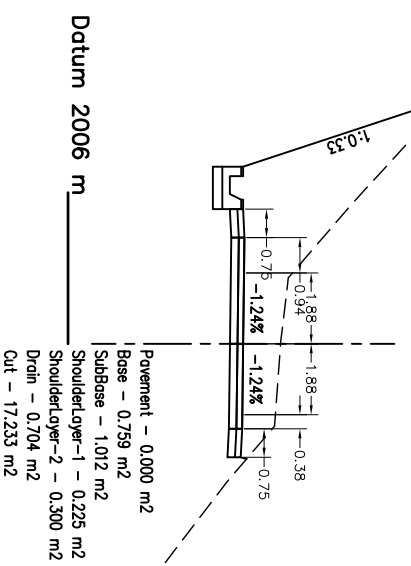
Ch: 4+190
 G.L: 2013.566
 D.L: 2014.467



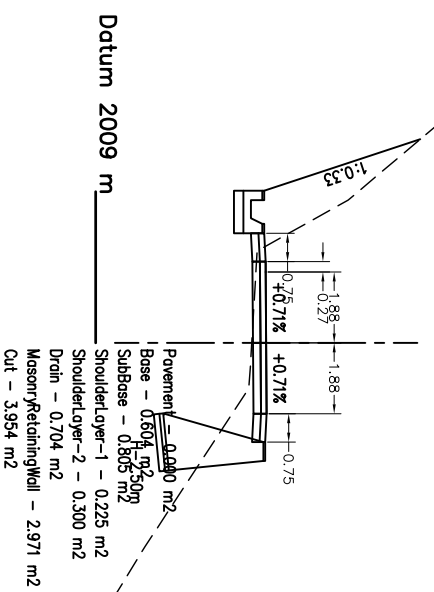
Ch: 4+220
 G.L: 2015.201
 D.L: 2017.343



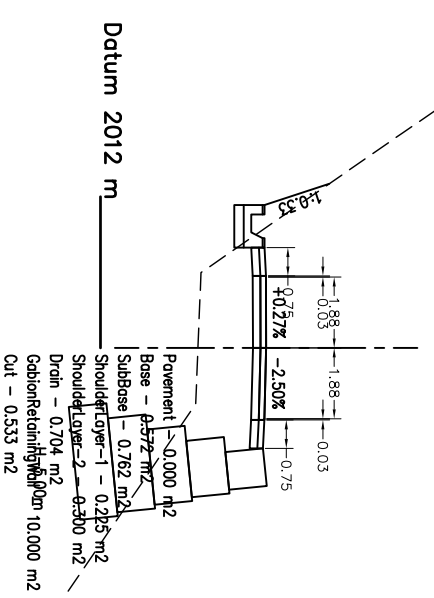
Ch: 4+150
 G.L: 2011.622
 D.L: 2010.632



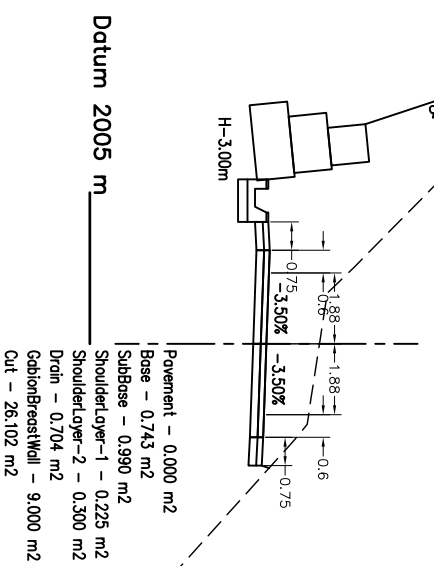
Ch: 4+180
 G.L: 2013.127
 D.L: 2013.508



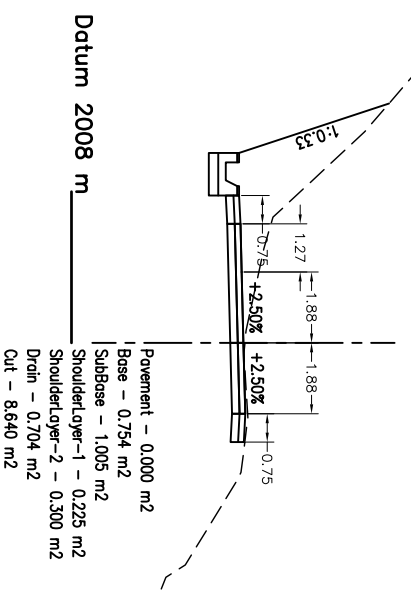
Ch: 4+210
 G.L: 2014.580
 D.L: 2016.384



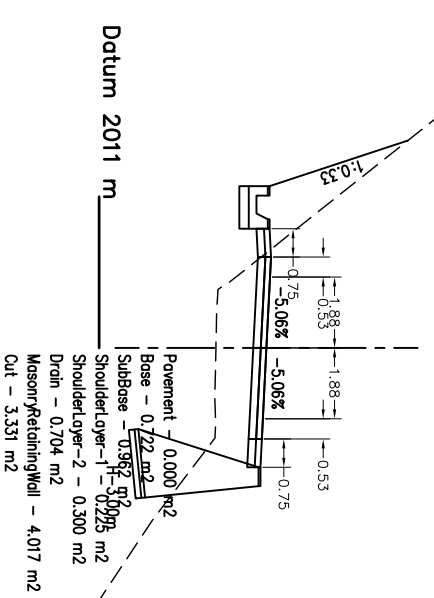
Ch: 4+140
 G.L: 2011.076
 D.L: 2009.673



Ch: 4+170
 G.L: 2012.588
 D.L: 2012.549

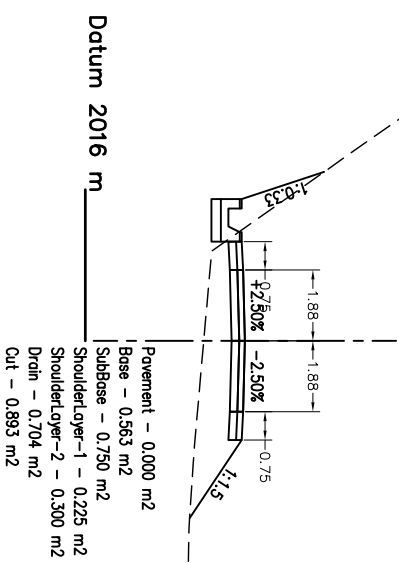


Ch: 4+200
 G.L: 2014.089
 D.L: 2015.425

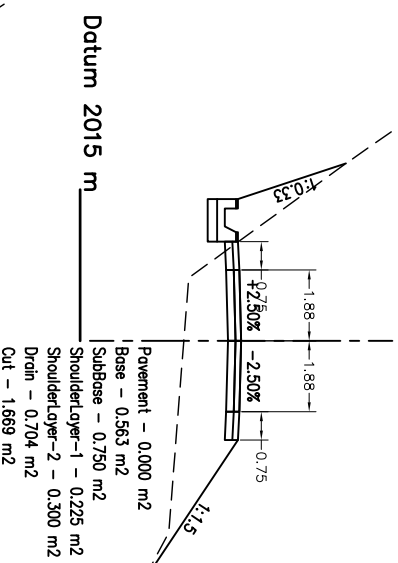


Government of Nepal Ministry of Federal Affairs and General Administration Department of Local Infrastructure (DoLI) Rural Connectivity Improvement Project-Phase 2 (DoLI/RCP/IDPR-04/2019)		CONSULTANT: ITECO - INCLUSIVE JV Sitapalla Chowk, Ring Road		ROAD NAME: Sisaghadhi-Jhumbang-Ransi Road		ROAD NAME: Rukum (East) District		DATE	REVISION	SIGNATURE	DESIGNED BY:	SCALE	Cross-Section	DATE: February 2022
											DRAWN BY:	4+140-4+220	DRG NO.:	
											CHECKED BY:		SHEET NO.:	
											APPROVED BY:		47	

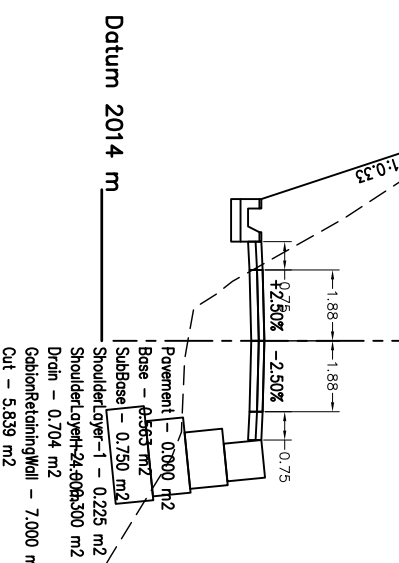
Ch: 4+250
 G.L: 2019.130
 D.L: 2020.219



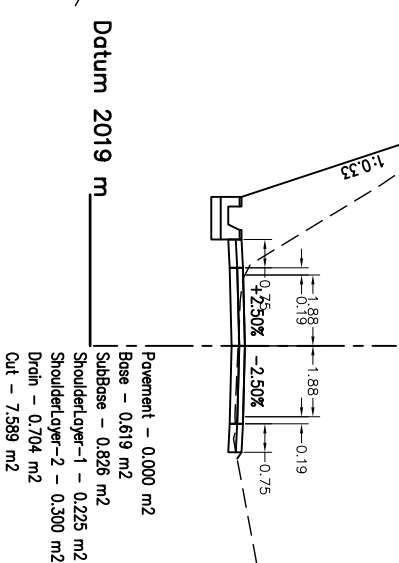
Ch: 4+240
 G.L: 2017.742
 D.L: 2019.260



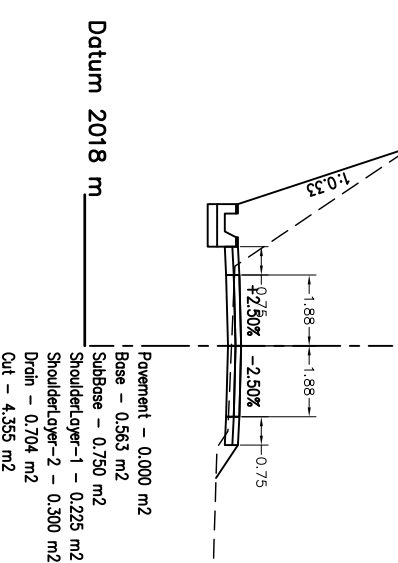
Ch: 4+230
 G.L: 2016.276
 D.L: 2018.302



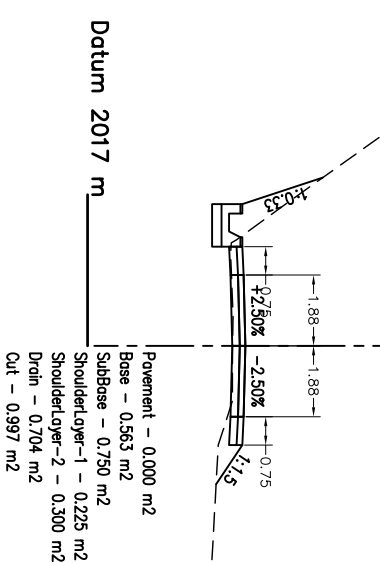
Ch: 4+280
 G.L: 2022.917
 D.L: 2023.095



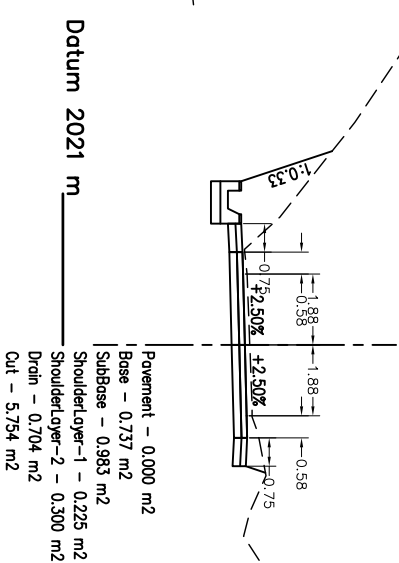
Ch: 4+270
 G.L: 2021.881
 D.L: 2022.136



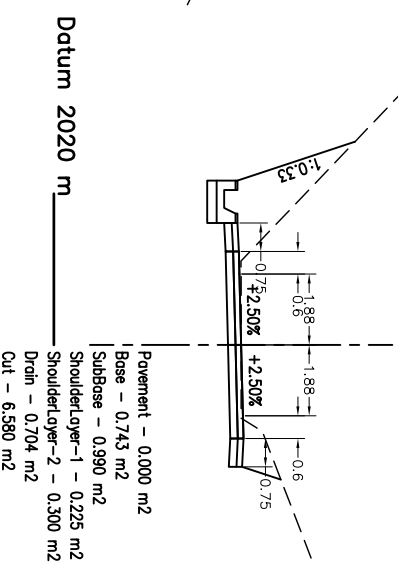
Ch: 4+260
 G.L: 2020.835
 D.L: 2021.177



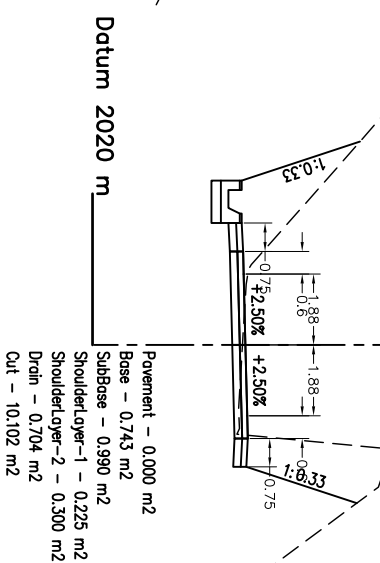
Ch: 4+310
 G.L: 2025.945
 D.L: 2025.815



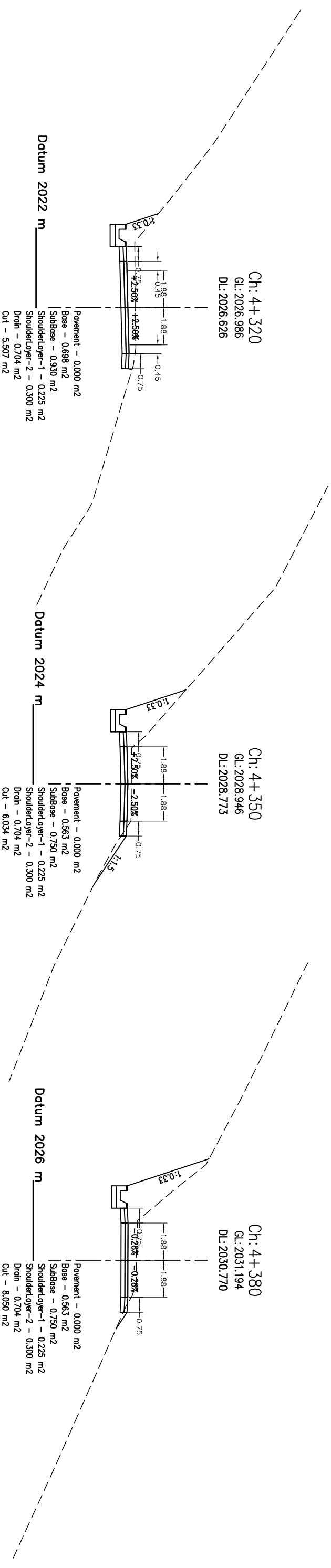
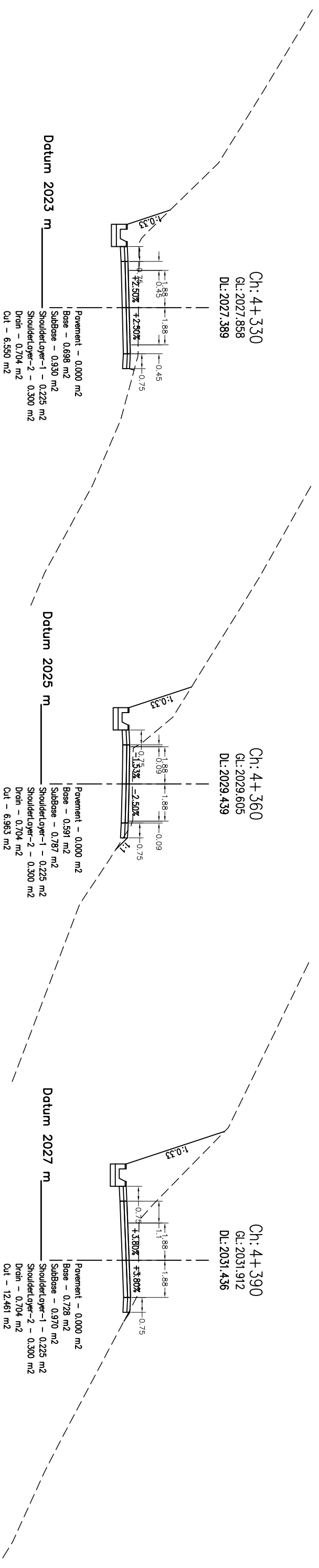
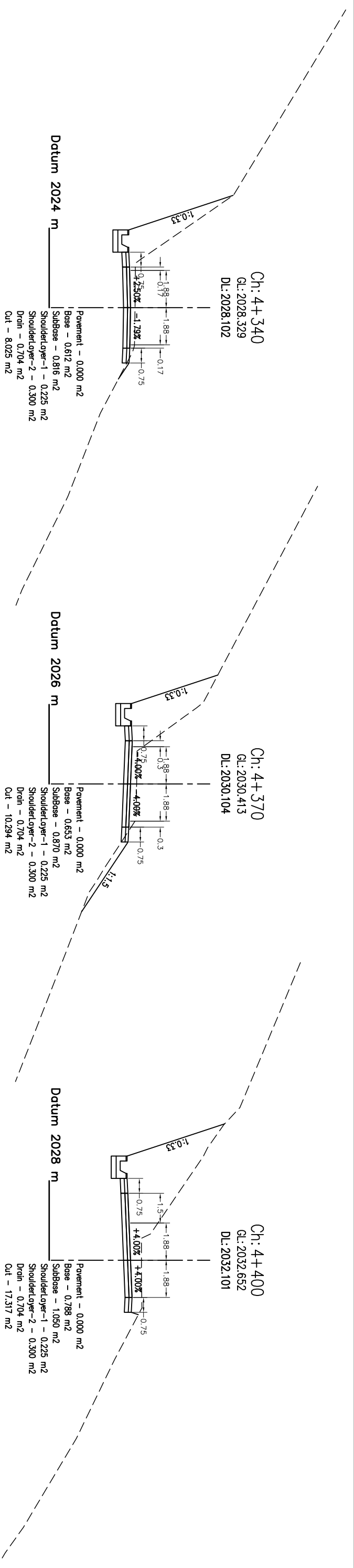
Ch: 4+300
 G.L: 2024.954
 D.L: 2024.955



Ch: 4+290
 G.L: 2023.968
 D.L: 2024.047

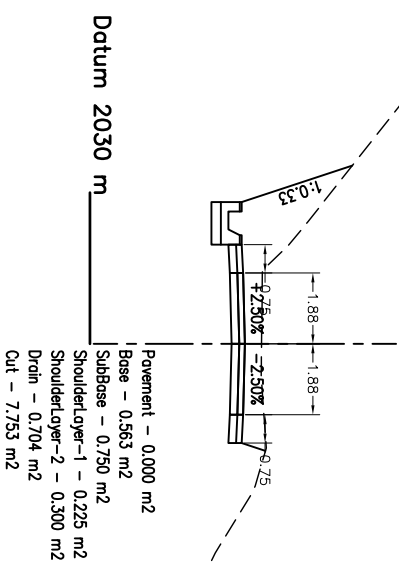


Government of Nepal Ministry of Federal Affairs and General Administration Department of Local Infrastructure (DoLI) Rural Connectivity Improvement Project-Phase 2 (DoLI/RCP/IDPR-04/2019)		CONSULTANT: ITECO - INCLUSIVE JV Sitapalla Chowk, Ring Road		ROAD NAME : Sisaghadh-Jhurnlabang-Ransil Road Rukum (East) District		DATE	REVISION	SIGNATURE	DESIGNED BY :	SCALE	Cross-Section 4+230-4+310		DATE: February 2022
											DRAWN BY : CHECKED BY : APPROVED BY :	DRG NO : 1 SHEET NO : 48	

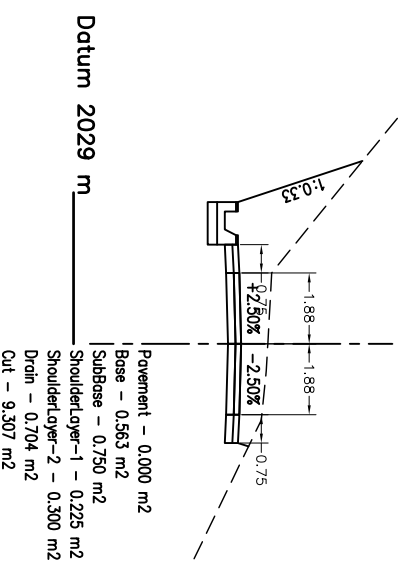


Government of Nepal Ministry of Federal Affairs and General Administration Department of Local Infrastructure (DoLI) Rural Connectivity Improvement Project-Phase 2 (DoLI/RICIP/DPR-04/2019)		CONSULTANT: ITECO - INCLUSIVE JV Sitapalla Chowk, Ring Road		ROAD NAME: Sisaghadh-Jhurnlabang-Ransil Road Rukum (East) District	
DATE	REVISION	SIGNATURE	DESIGNED BY :	SCALE	Cross-Section 4+320-4+400
			DRAWN BY :		
			CHECKED BY :		DATE: February 2022
			APPROVED BY :		DRG NO. : 1
					SHEET NO. : 49

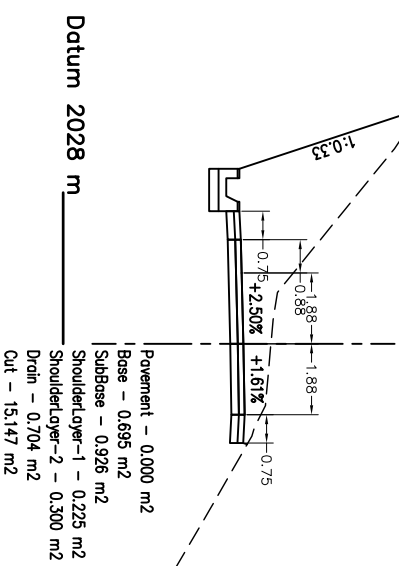
Ch: 4+430
 G.L: 2034.540
 D.L: 2034.098



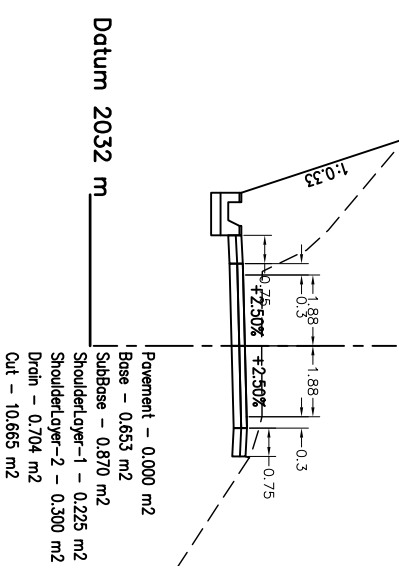
Ch: 4+420
 G.L: 2034.138
 D.L: 2033.432



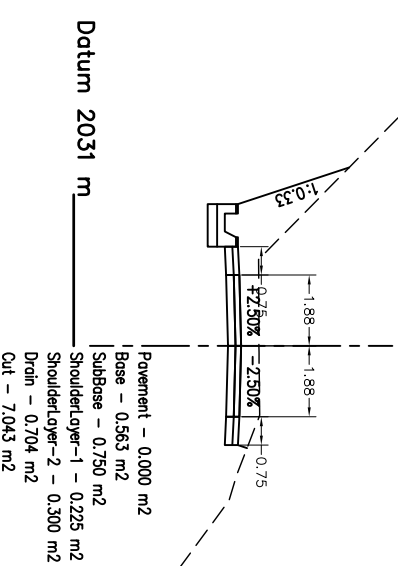
Ch: 4+410
 G.L: 2033.494
 D.L: 2032.767



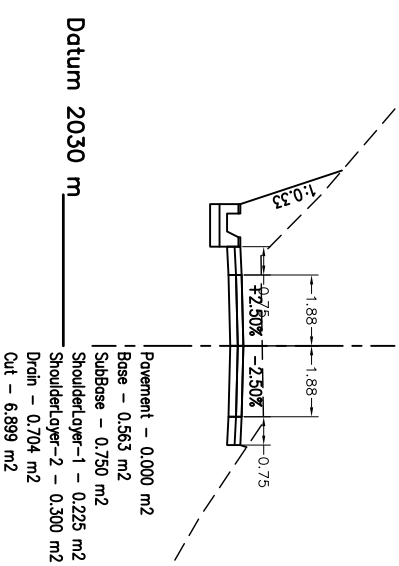
Ch: 4+460
 G.L: 2036.538
 D.L: 2036.095



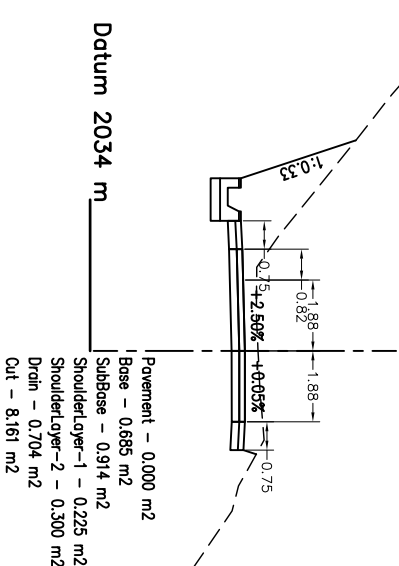
Ch: 4+450
 G.L: 2035.900
 D.L: 2035.429



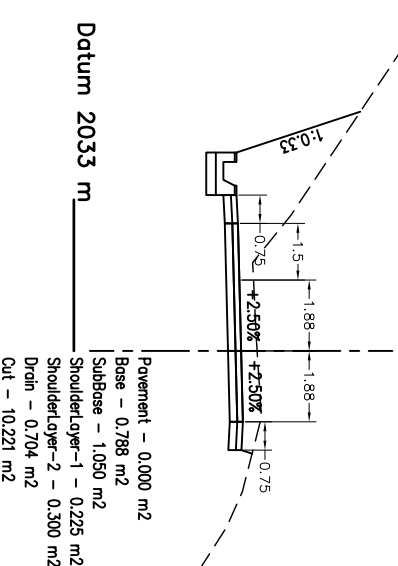
Ch: 4+440
 G.L: 2035.259
 D.L: 2034.764



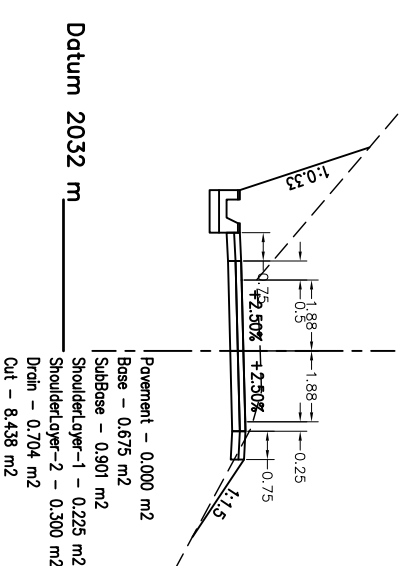
Ch: 4+490
 G.L: 2038.441
 D.L: 2038.092



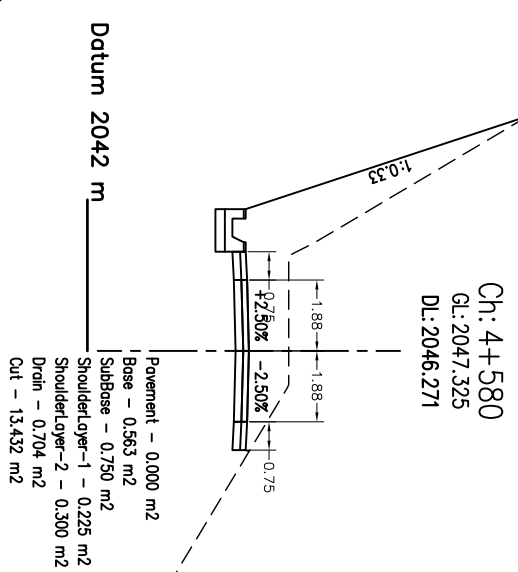
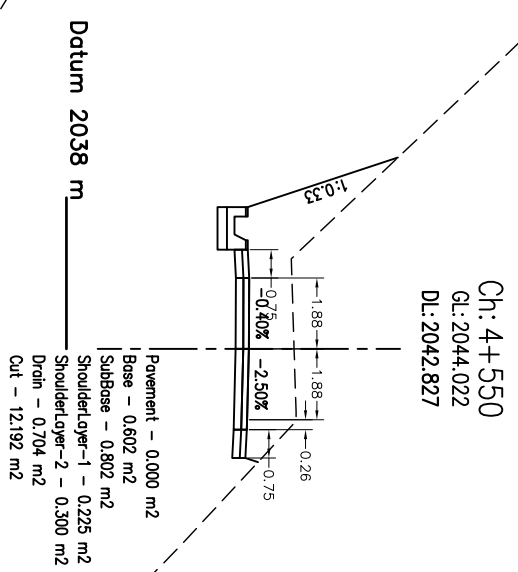
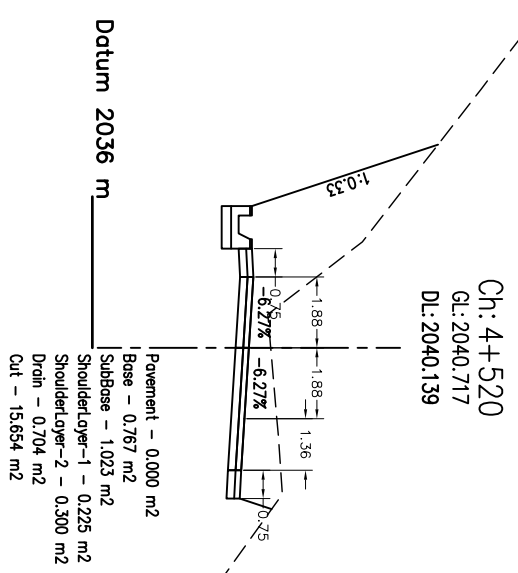
Ch: 4+480
 G.L: 2037.848
 D.L: 2037.426



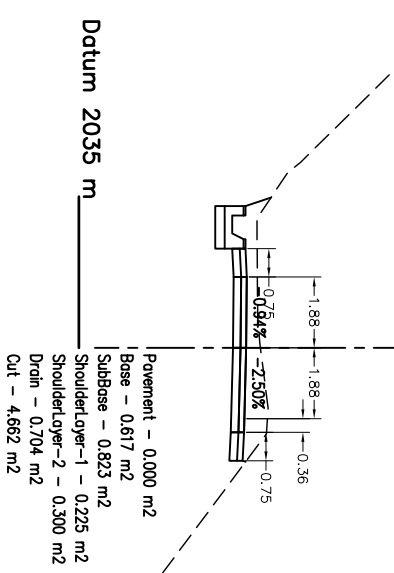
Ch: 4+470
 G.L: 2037.204
 D.L: 2036.760



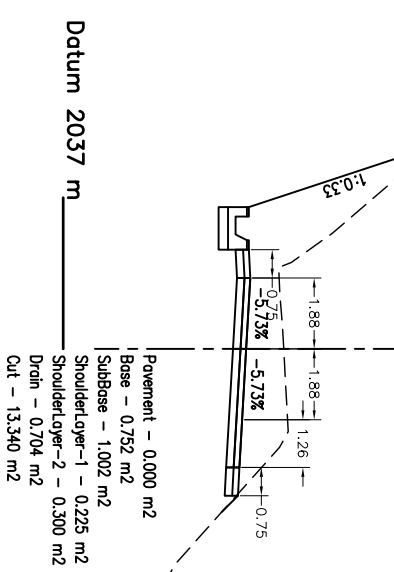
Government of Nepal Ministry of Federal Affairs and General Administration Department of Local Infrastructure (DoLI) Rural Connectivity Improvement Project-Phase 2 (DoLI/RCP/IDPR-04/2019)		CONSULTANT: ITECO - INCLUSIVE JV Sitapalla Chowk, Ring Road		ROAD NAME : Sisaghad-humlabang-Ransil Road Rukum (East) District		DATE	REVISION	SIGNATURE	DESIGNED BY :	SCALE	Cross-Section	DATE: February 2022
											DRAWN BY : CHECKED BY : APPROVED BY :	DRG NO : 1 SHEET NO : 50



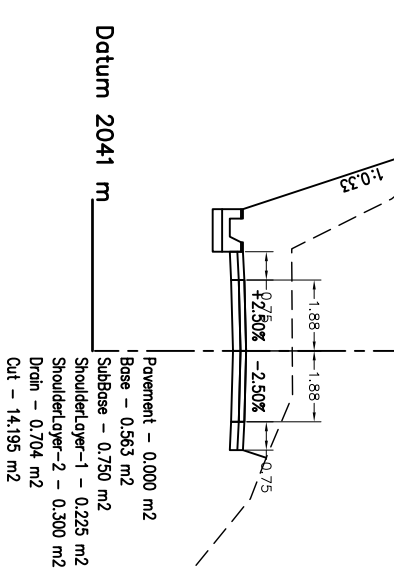
Ch: 4+510
 G.L: 2039.799
 D.L: 2039.423



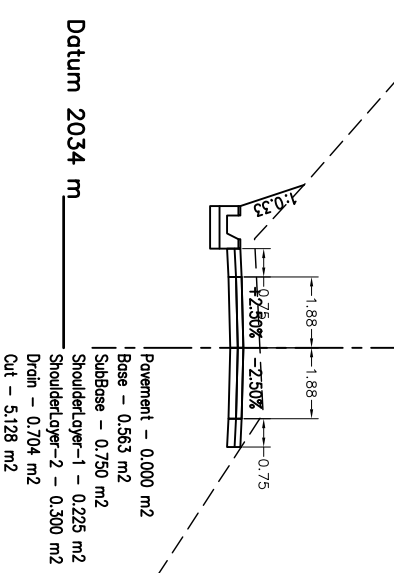
Ch: 4+540
 G.L: 2042.834
 D.L: 2041.841



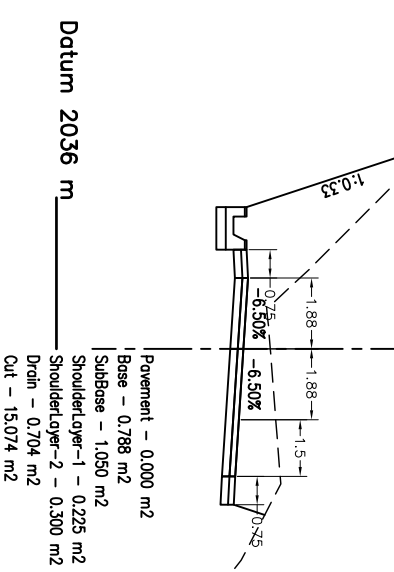
Ch: 4+570
 G.L: 2046.286
 D.L: 2045.067



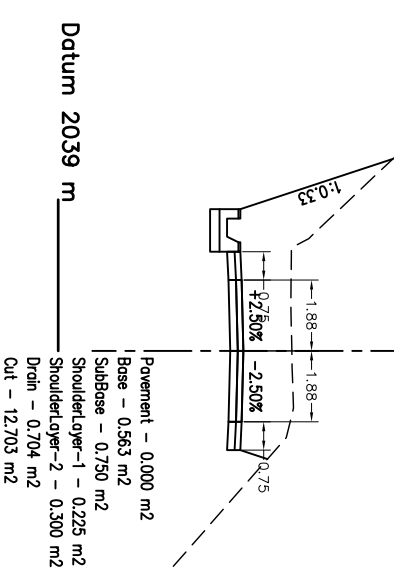
Ch: 4+500
 G.L: 2039.192
 D.L: 2038.757



Ch: 4+530
 G.L: 2041.655
 D.L: 2040.945

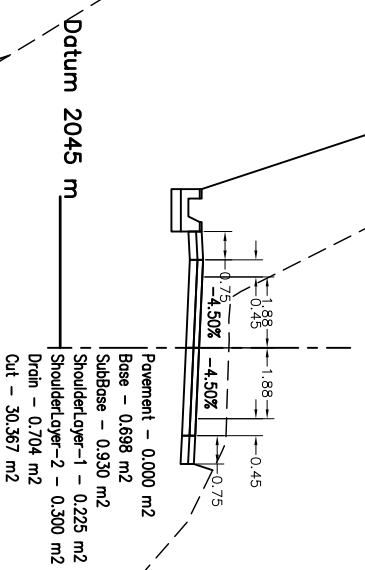


Ch: 4+560
 G.L: 2045.181
 D.L: 2043.902

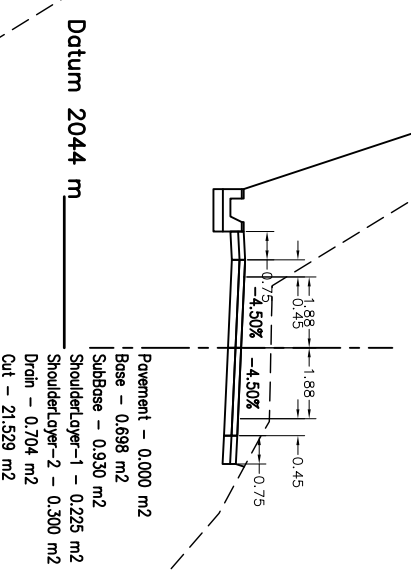


Government of Nepal Ministry of Federal Affairs and General Administration Department of Local Infrastructure (DoLI) Rural Connectivity Improvement Project-Phase 2 (DoLI/RCIP/DPR-04/2019)		CONSULTANT: ITECO - INCLUSIVE JV Sitapalla Chowk, Ring Road		ROAD NAME : Sisaghadh-Jhumbhang-Ransi Road Rukum (East) District		DATE	REVISION	SIGNATURE	DESIGNED BY :	SCALE	Cross-Section	DATE: February 2022
									DRAWN BY :	1:200	4+500-4+580	DRG NO. :
									CHECKED BY :	4m		SHEET NO. :
									APPROVED BY :		51	

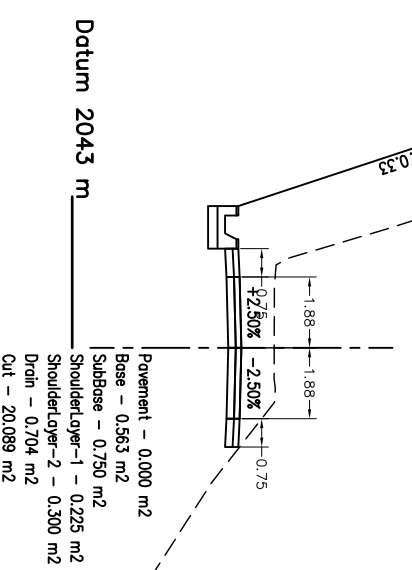
Ch: 4+610
 G.L: 2050.670
 D.L: 2049.883



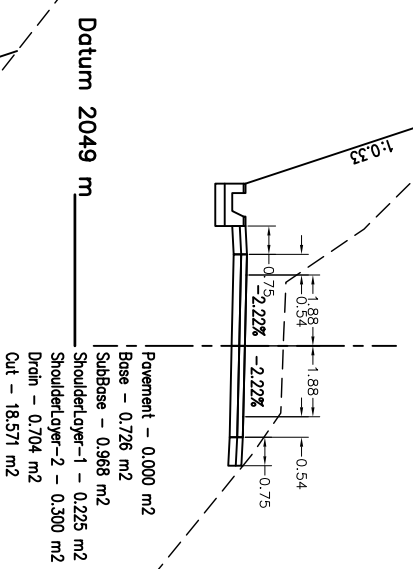
Ch: 4+600
 G.L: 2049.466
 D.L: 2048.679



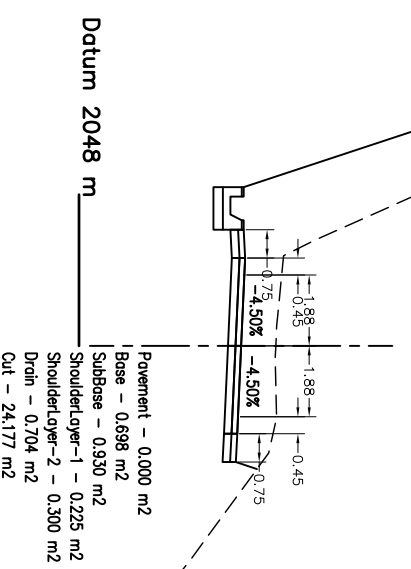
Ch: 4+590
 G.L: 2048.341
 D.L: 2047.475



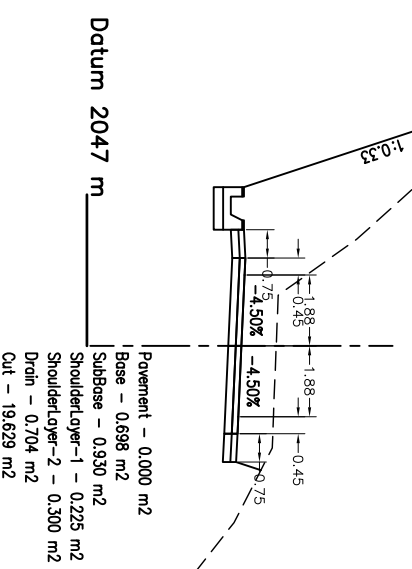
Ch: 4+640
 G.L: 2054.512
 D.L: 2053.495



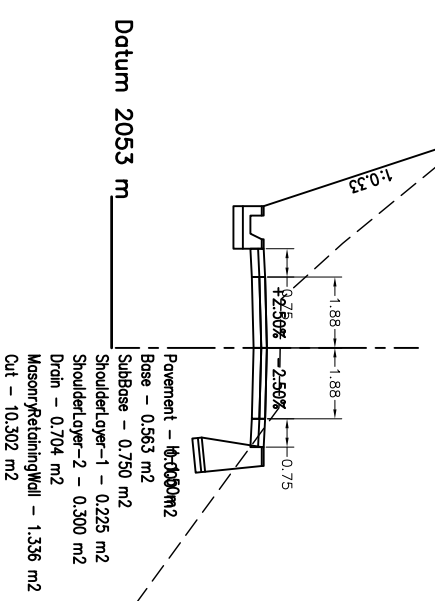
Ch: 4+630
 G.L: 2053.207
 D.L: 2052.291



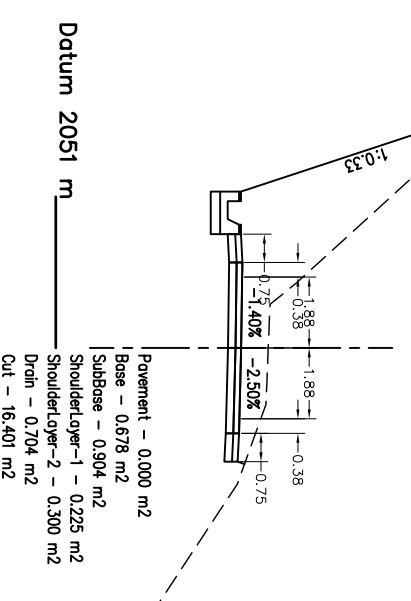
Ch: 4+620
 G.L: 2052.006
 D.L: 2051.087



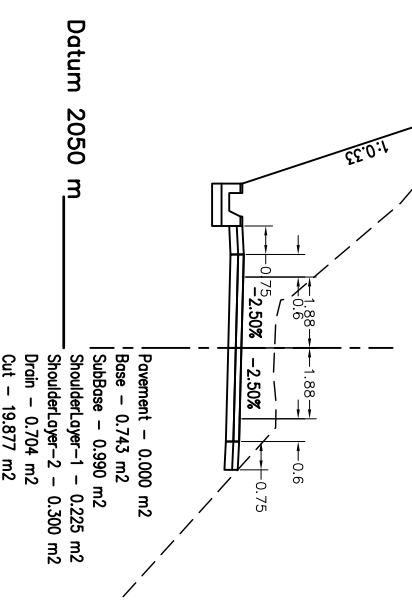
Ch: 4+670
 G.L: 2057.458
 D.L: 2057.108



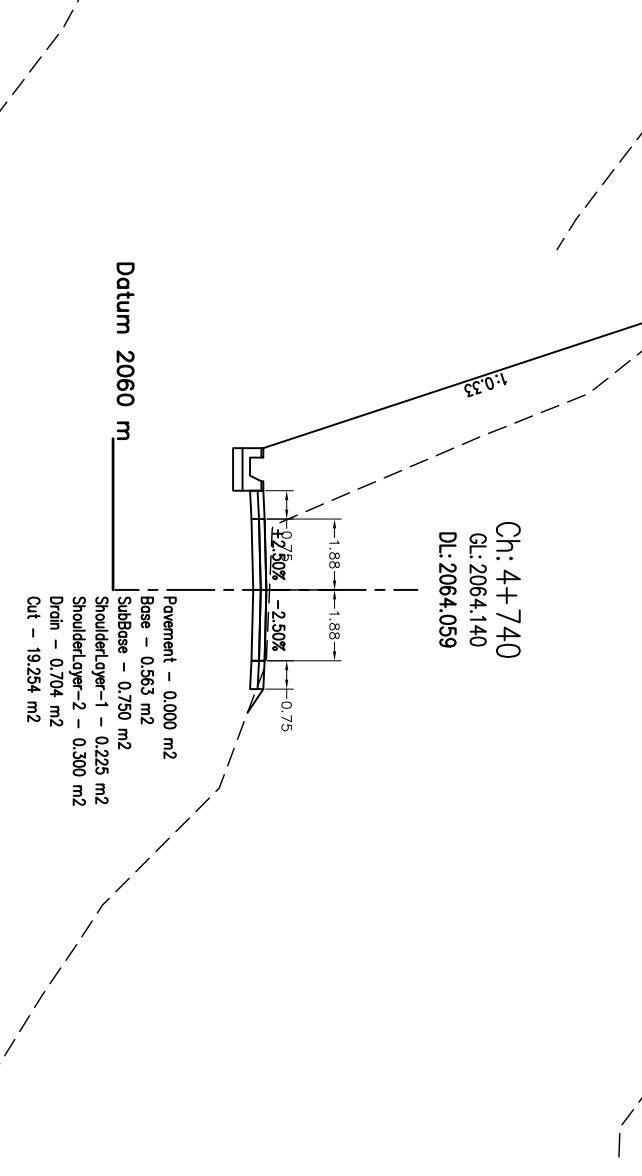
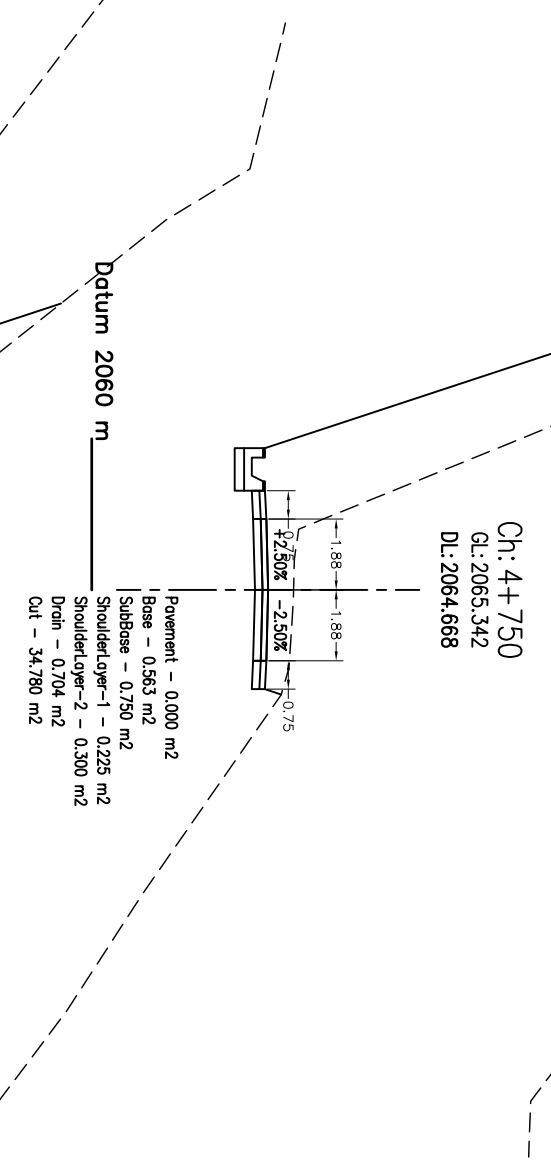
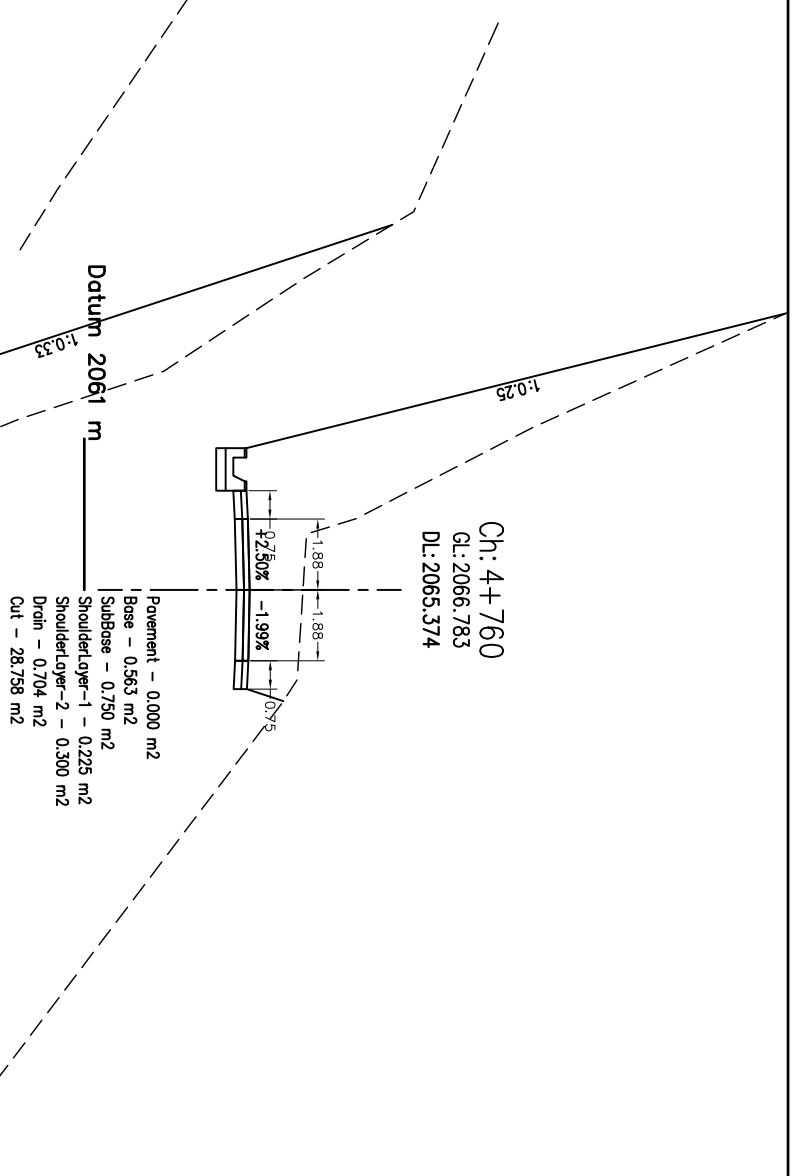
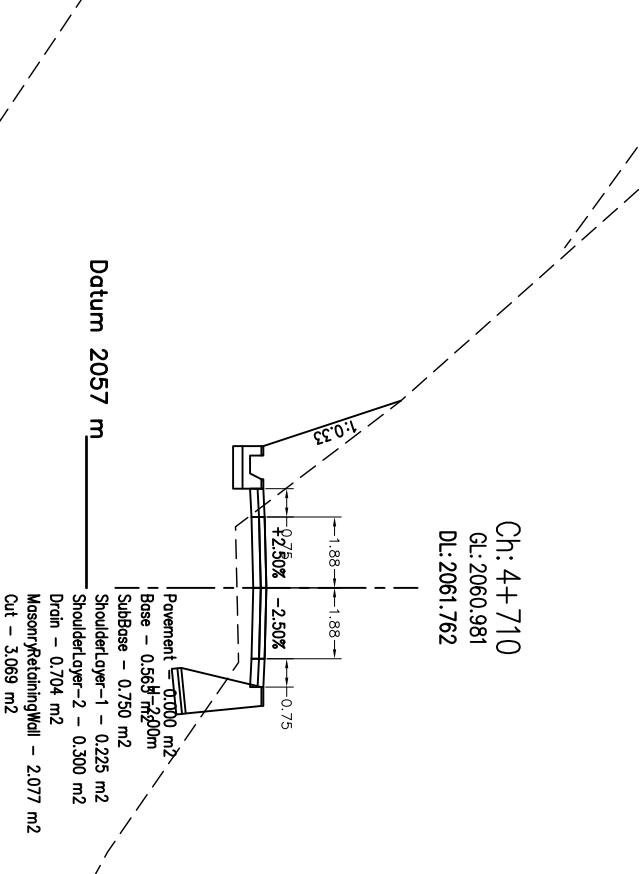
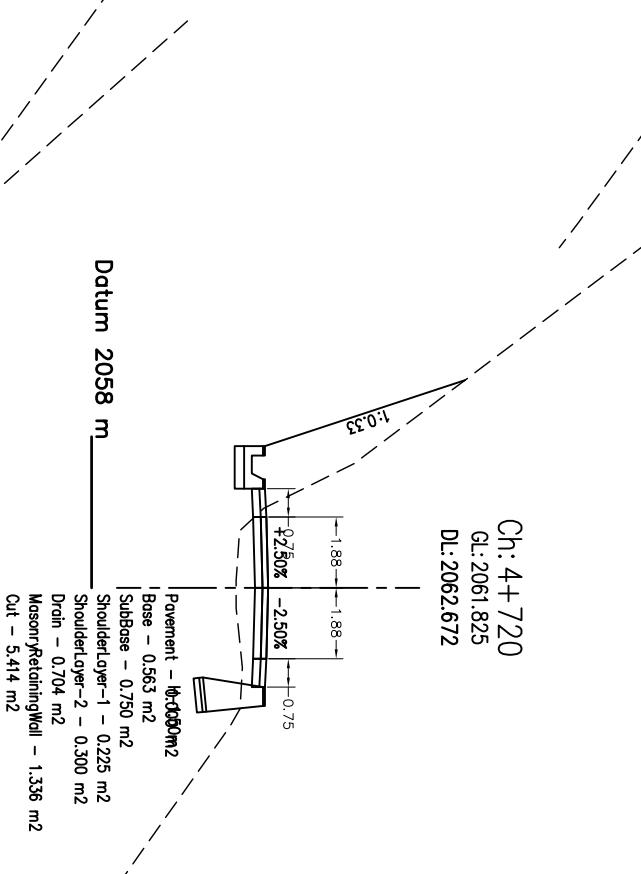
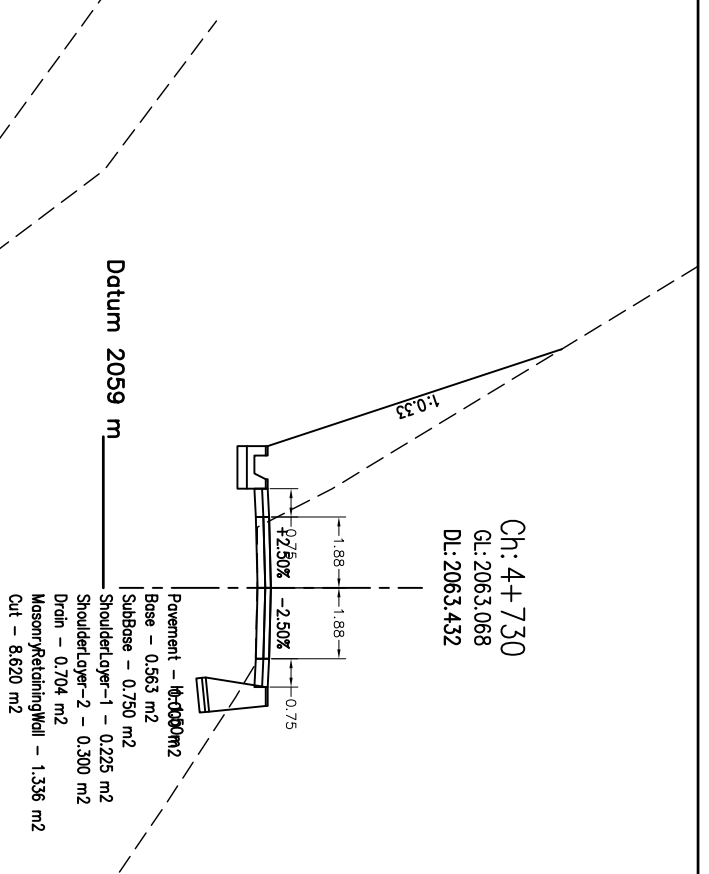
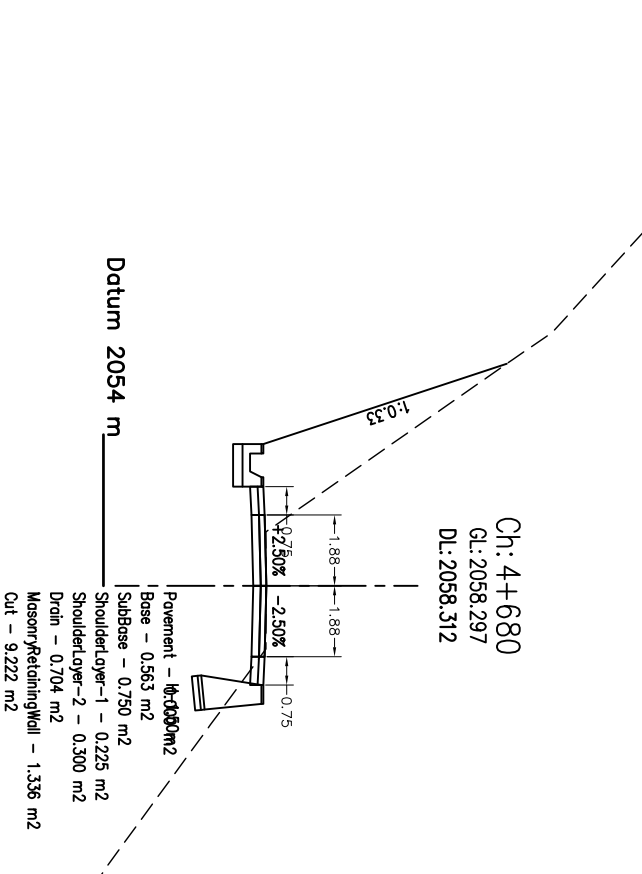
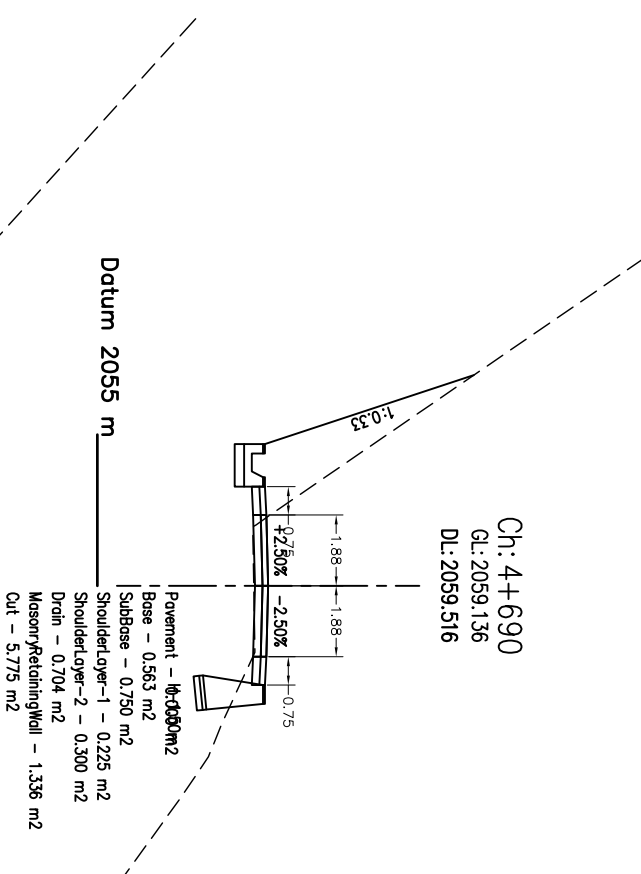
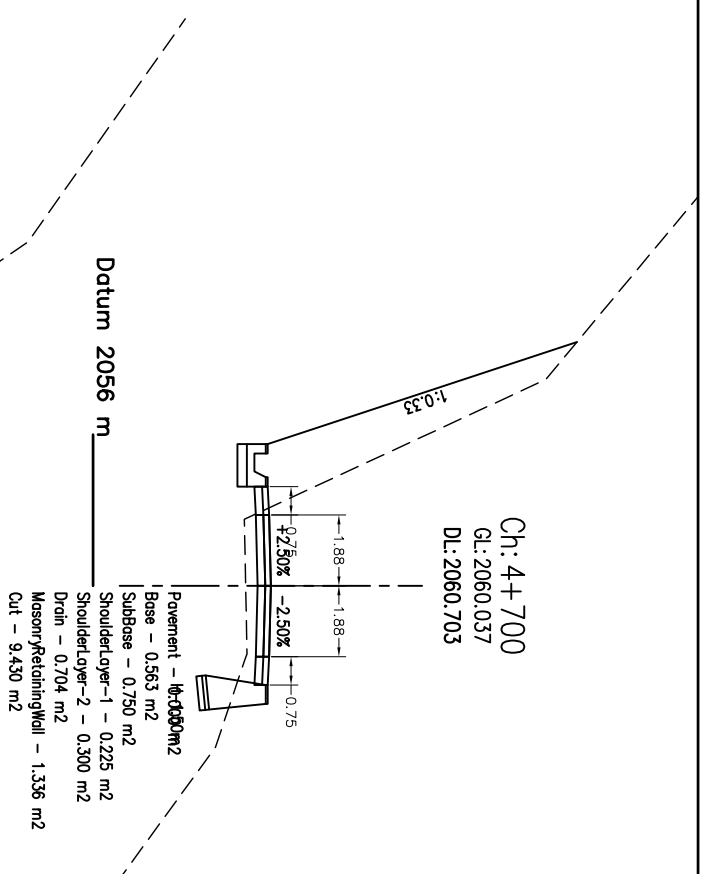
Ch: 4+660
 G.L: 2056.620
 D.L: 2055.904



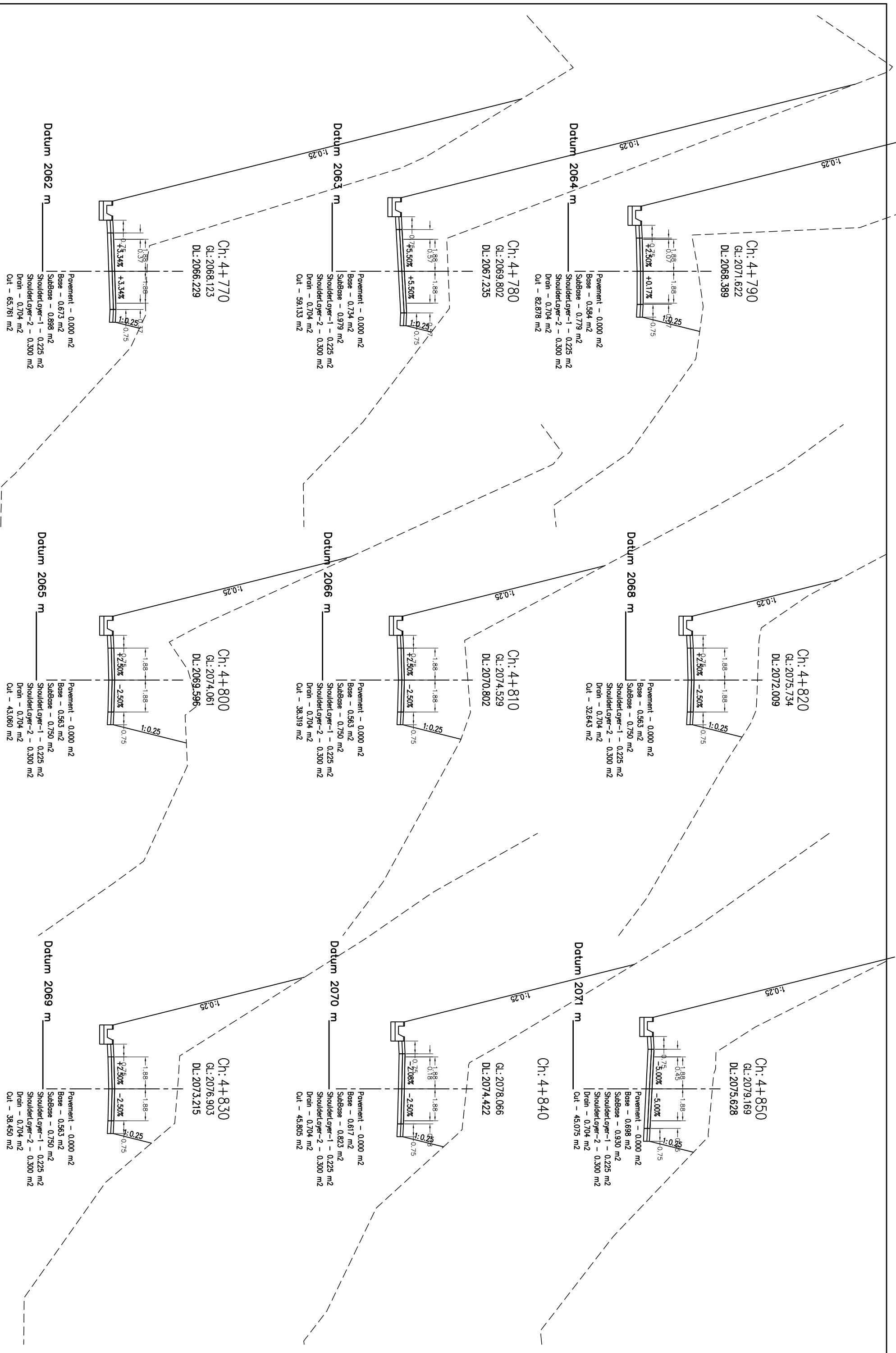
Ch: 4+650
 G.L: 2055.576
 D.L: 2054.699



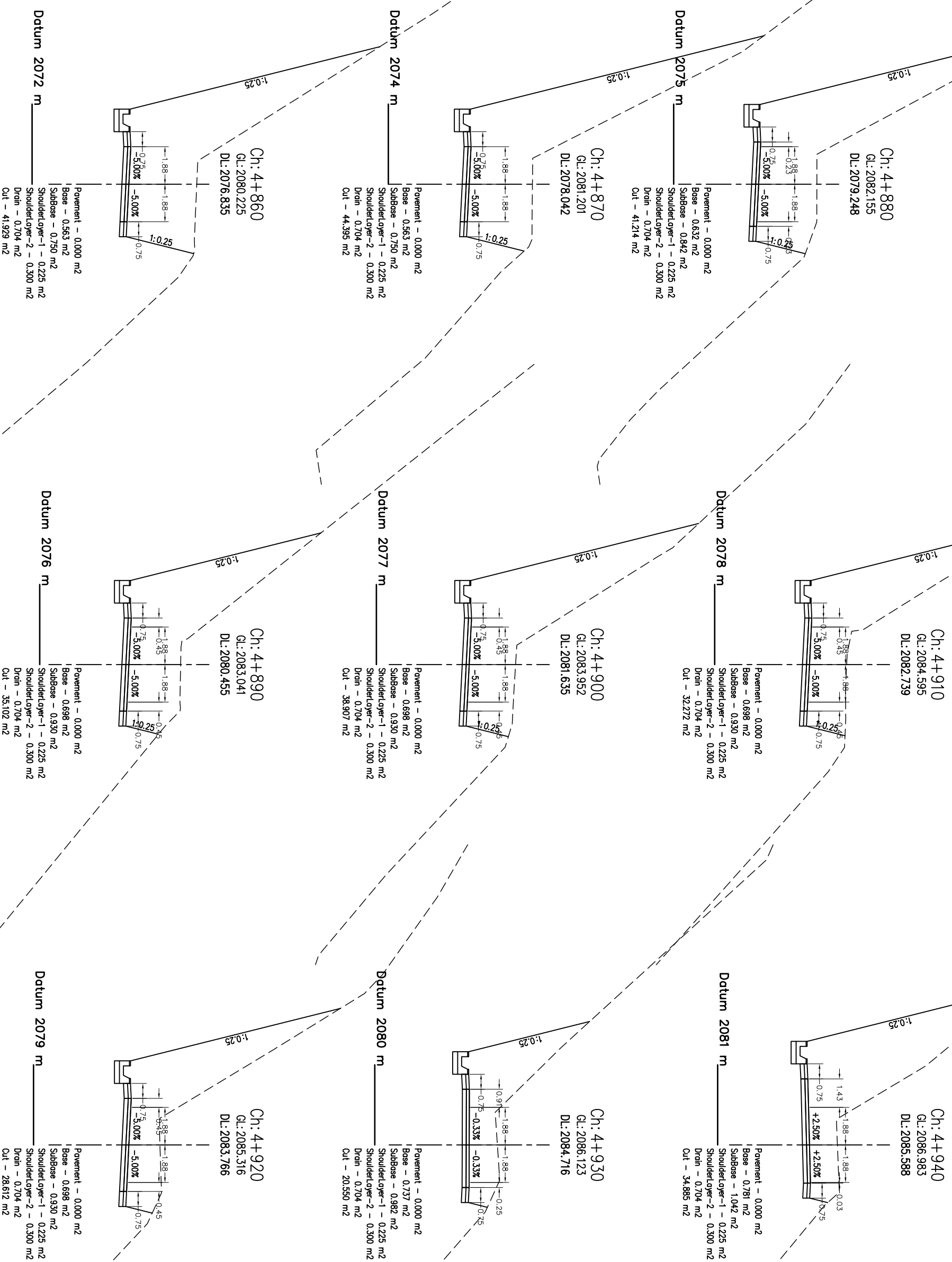
Government of Nepal Ministry of Federal Affairs and General Administration Department of Local Infrastructure (DoLI) Rural Connectivity Improvement Project-Phase 2 (DoLI/RCIP/DPR-04/2019)		CONSULTANT: ITECO - INCLUSIVE JV Sitapalla Chowk, Ring Road		ROAD NAME : Sisaghad-humlabang-Ransi Road Rukum (East) District		DATE	REVISION	SIGNATURE	DESIGNED BY :	SCALE	Cross-Section 4+590-4+670	DATE: February 2022
DRAWN BY : CHECKED BY : APPROVED BY :									1:200 	DRG NO : 1 SHEET NO : 52		



Government of Nepal Ministry of Federal Affairs and General Administration Department of Local Infrastructure (DoLI) Rural Connectivity Improvement Project-Phase 2 (DoLI/RCIP/DPR-04/2019)		CONSULTANT: ITECO - INCLUSIVE JV Sitapalla Chowk, Ring Road		ROAD NAME : Sisaghadhi-Jhumbhang-Ransi Road		DATE		REVISION		SIGNATURE		DESIGNED BY :		SCALE		Cross-Section		DATE: February 2022	
				Rukum (East) District								DRAWN BY :		1:200		4+680-4+760		DRG NO. : 1	
												CHECKED BY :		0				SHEET NO. : 53	
												APPROVED BY :		4m					



Government of Nepal Ministry of Federal Affairs and General Administration Department of Local Infrastructure (DoLI) Rural Connectivity Improvement Project-Phase 2 (DoLI/RCP/IDPR-04/2019)		CONSULTANT: ITECO - INCLUSIVE JV Sitapalla Chowk, Ring Road		ROAD NAME : Sisaghadh-Jhumbhang-Ransil Road Rukum (East) District		DATE	REVISION	SIGNATURE	DESIGNED BY :	SCALE	Cross-Section 4+770-4+850	DATE: February 2022
								DRAWN BY : CHECKED BY : APPROVED BY :		DRG NO. : 1 SHEET NO. : 54		



Ch: 4+860
 G.L: 2080.225
 D.L: 2076.835

Pavement - 0.000 m²
 Base - 0.563 m²
 Subbase - 0.750 m²
 Shoulder Layer-1 - 0.225 m²
 Shoulder Layer-2 - 0.300 m²
 Drain - 0.704 m²
 Cut - 41.929 m²

Ch: 4+890
 G.L: 2083.041
 D.L: 2080.455

Pavement - 0.000 m²
 Base - 0.698 m²
 Subbase - 0.930 m²
 Shoulder Layer-1 - 0.225 m²
 Shoulder Layer-2 - 0.300 m²
 Drain - 0.704 m²
 Cut - 35.102 m²

Ch: 4+920
 G.L: 2085.316
 D.L: 2083.766

Pavement - 0.000 m²
 Base - 0.698 m²
 Subbase - 0.930 m²
 Shoulder Layer-1 - 0.225 m²
 Shoulder Layer-2 - 0.300 m²
 Drain - 0.704 m²
 Cut - 28.612 m²

Government of Nepal
 Ministry of Federal Affairs and General Administration
 Department of Local Infrastructure (DoLI)
 Rural Connectivity Improvement Project-Phase 2
 (DoLI/RCP/IDPR-04/2019)

CONSULTANT:
ITECO - INCLUSIVE JV
 Sitapalla Chowk, Ring Road

ROAD NAME :
 Sisaghadh-Jhumbhang-Ransil Road

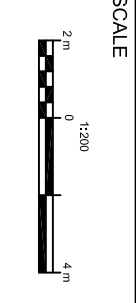
Rukum (East) District

DATE

REVISION

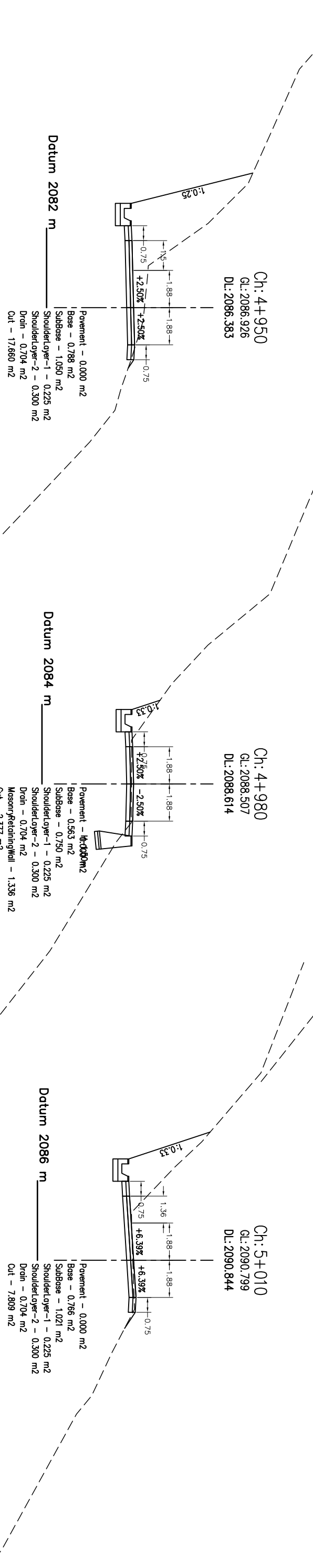
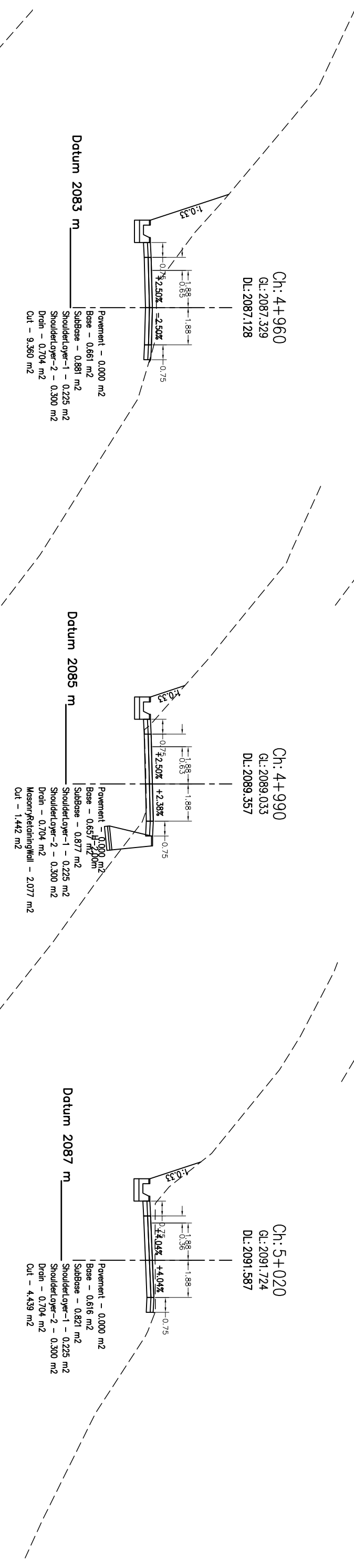
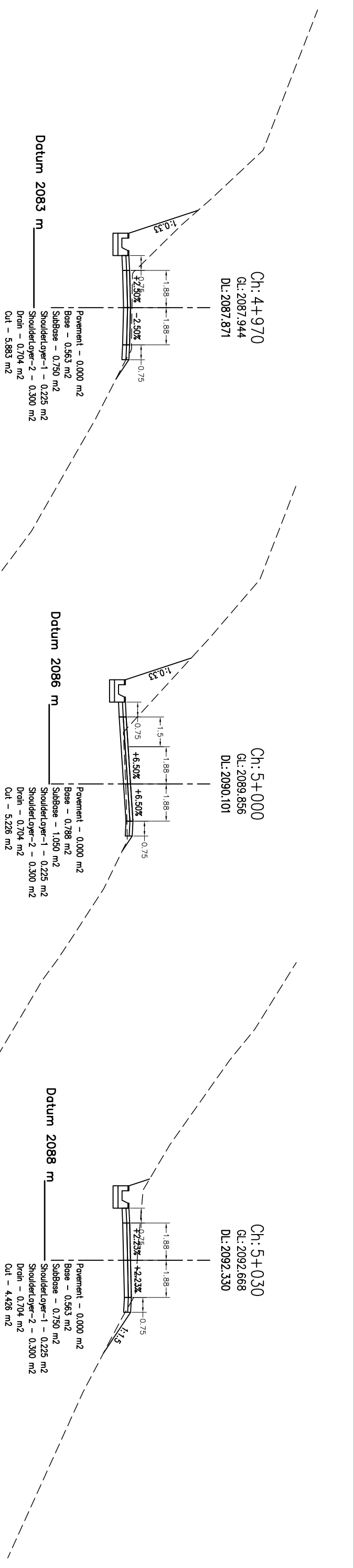
SIGNATURE

DESIGNED BY :
 DRAWN BY :
 CHECKED BY :
 APPROVED BY :



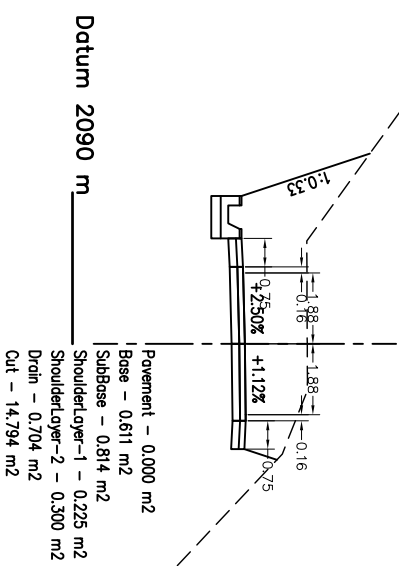
Cross-Section
 4+860-4+940

DATE: February 2022
 DRG NO : **1**
 SHEET NO : **55**

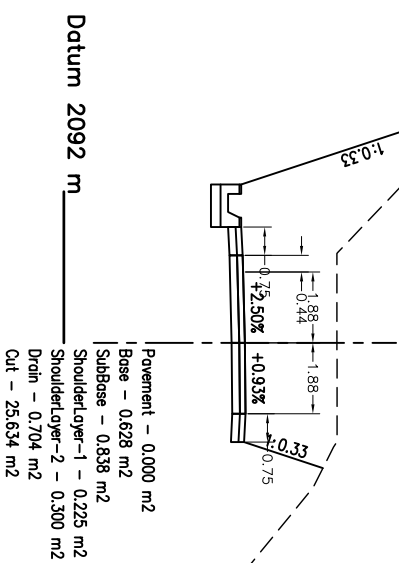


Government of Nepal Ministry of Federal Affairs and General Administration Department of Local Infrastructure (DoLI) Rural Connectivity Improvement Project-Phase 2 (DoLI/RCP/IDPR-04/2019)		CONSULTANT: ITECO - INCLUSIVE JV Sitapalla Chowk, Ring Road		ROAD NAME : Sisaghadh-Jhumbhang-Ransil Road Rukum (East) District		DATE	REVISION	SIGNATURE	DESIGNED BY :	SCALE	Cross-Section 4+950-5+030	DATE: February 2022
								DRAWN BY : CHECKED BY : APPROVED BY :		DRG NO. : 1 SHEET NO. : 56		

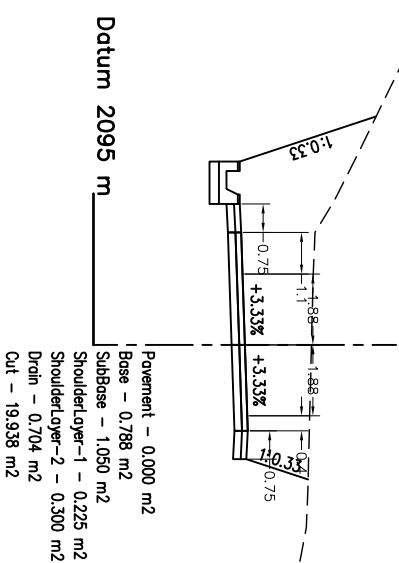
Ch: 5+060
 G.L: 2096.209
 D.L: 2094.560



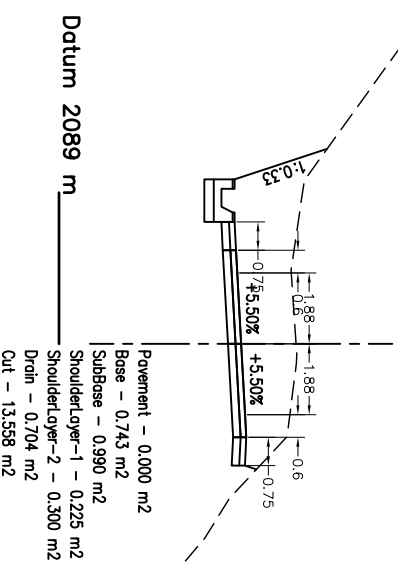
Ch: 5+090
 G.L: 2099.226
 D.L: 2096.790



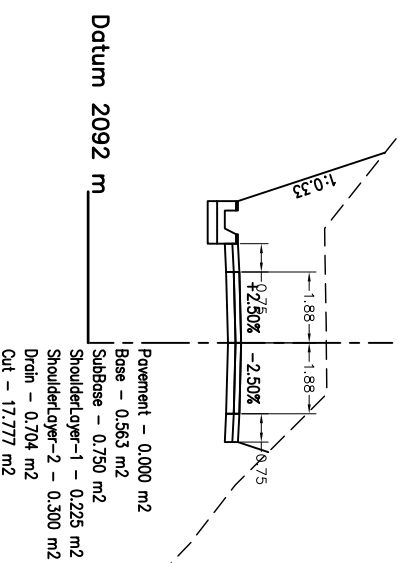
Ch: 5+120
 G.L: 2100.766
 D.L: 2099.006



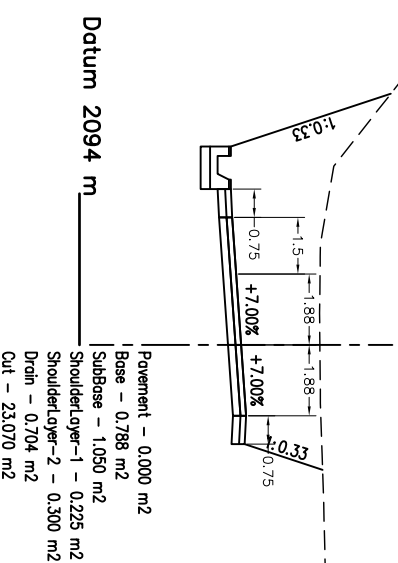
Ch: 5+050
 G.L: 2095.270
 D.L: 2093.817



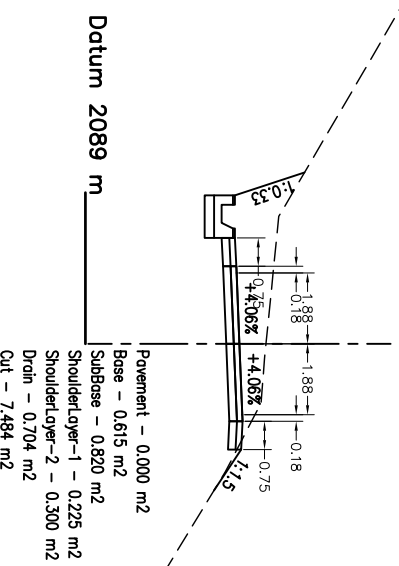
Ch: 5+080
 G.L: 2098.299
 D.L: 2096.047



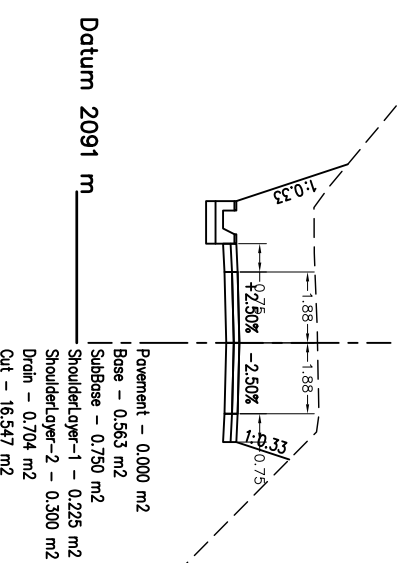
Ch: 5+110
 G.L: 2100.359
 D.L: 2098.276



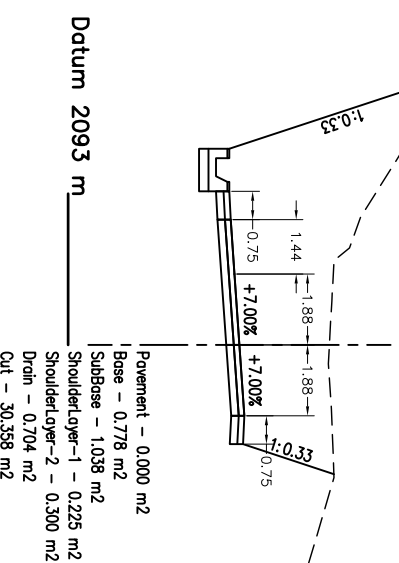
Ch: 5+040
 G.L: 2093.776
 D.L: 2093.074



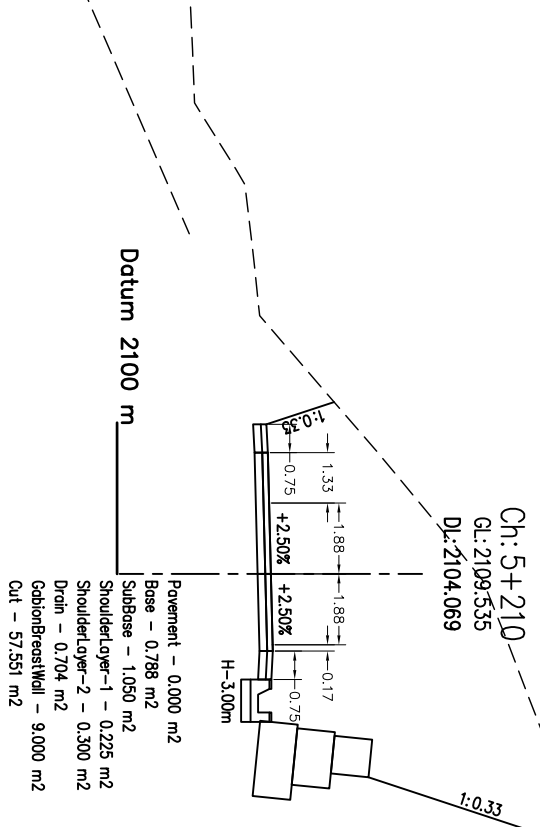
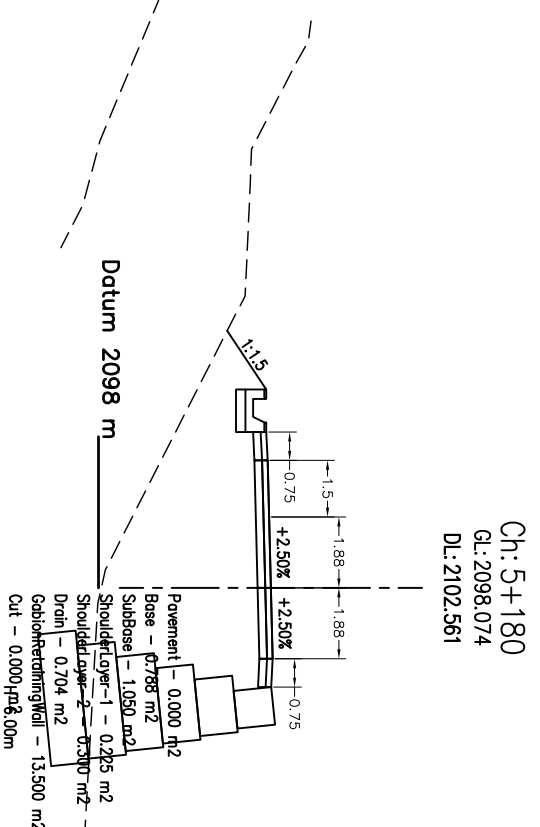
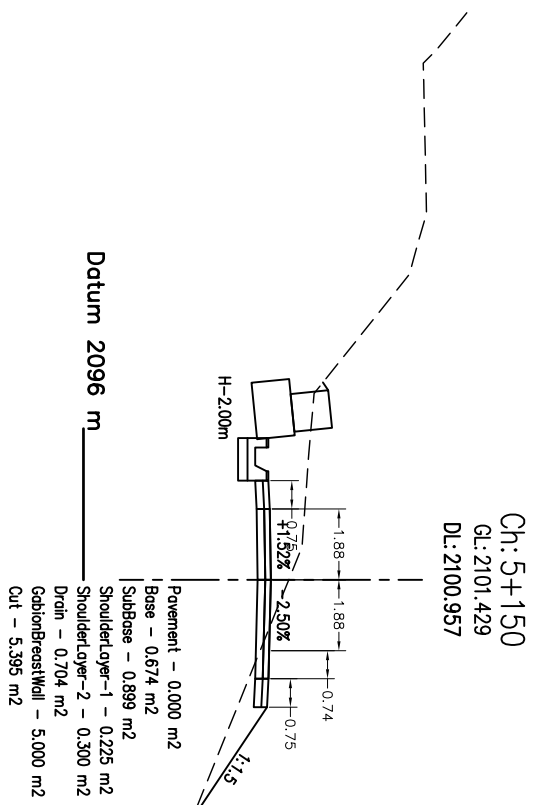
Ch: 5+070
 G.L: 2097.367
 D.L: 2095.303



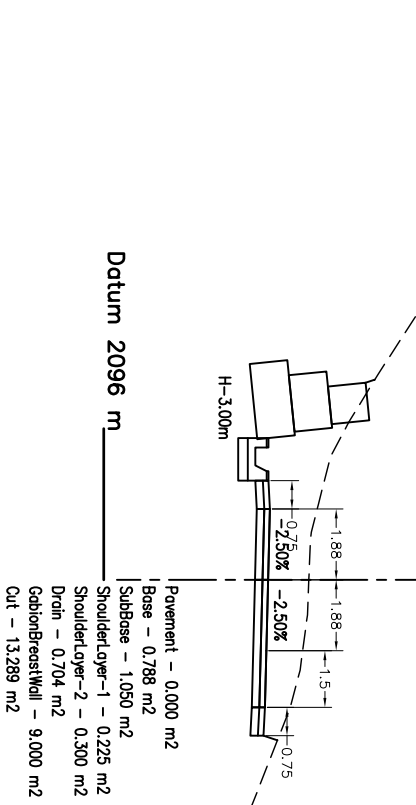
Ch: 5+100
 G.L: 2099.911
 D.L: 2097.533



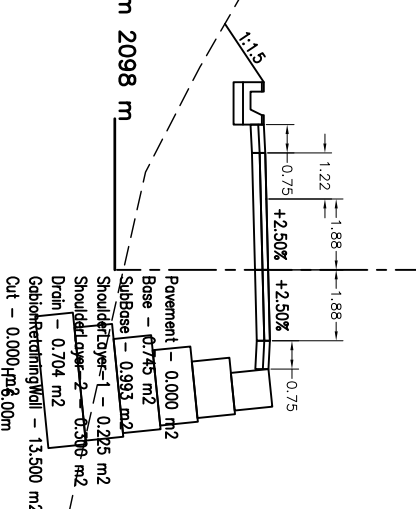
Government of Nepal Ministry of Federal Affairs and General Administration Department of Local Infrastructure (DoLI) Rural Connectivity Improvement Project-phase 2 (DoLI/RCI/IDPR-04/2019)		CONSULTANT: ITECO - INCLUSIVE JV Sitapalla Chowk, Ring Road		ROAD NAME : Sisaghadhi-Jhumlabang-Ransi Road		DATE		REVISION		SIGNATURE		DESIGNED BY :		SCALE		Cross-Section		DATE: February 2022	
				Rukum (East) District								DRAWN BY :		1:200		5+040-5+120		DRG NO. : 1	
												CHECKED BY :		4m				SHEET NO. : 57	
												APPROVED BY :							



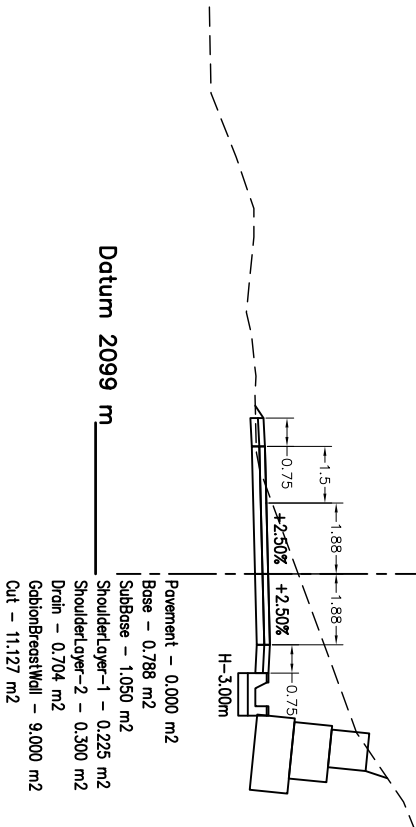
Ch: 5+140
 G.L: 2101.423
 D.L: 2100.347



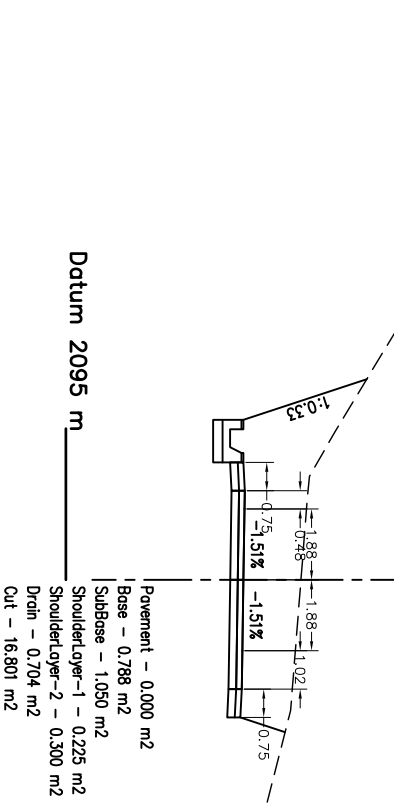
Ch: 5+170
 G.L: 2098.227
 D.L: 2102.057



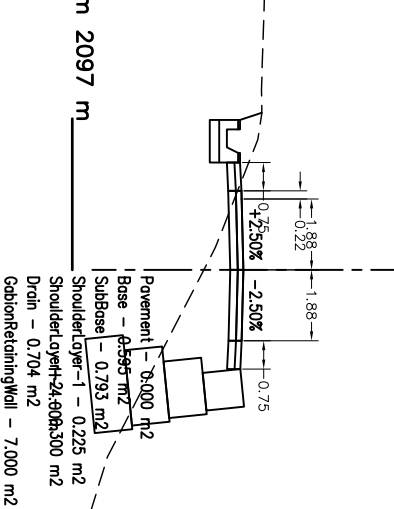
Ch: 5+200
 G.L: 2104.362
 D.L: 2103.566



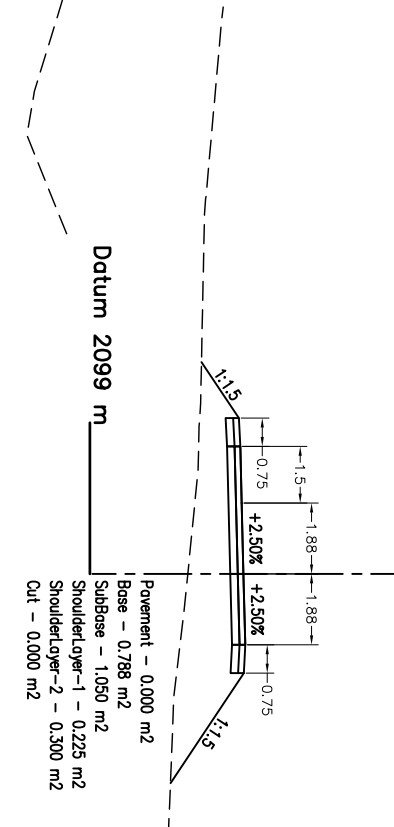
Ch: 5+130
 G.L: 2101.217
 D.L: 2099.696



Ch: 5+160
 G.L: 2100.478
 D.L: 2101.527



Ch: 5+190
 G.L: 2101.591
 D.L: 2103.063



Government of Nepal
 Ministry of Federal Affairs and General Administration
 Department of Local Infrastructure (DoLI)
 Rural Connectivity Improvement Project-Phase 2
 (DoLI/RCIP/DPR-04/2019)

CONSULTANT:
ITECO - INCLUSIVE JV
 Sitapalla Chowk, Ring Road

ROAD NAME:
 Sisaghadh-Jhumlabang-Ransi Road

Rukum (East) District

DATE

REVISION

SIGNATURE

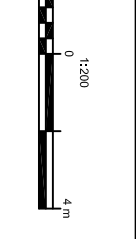
DESIGNED BY:

DRAWN BY:

CHECKED BY:

APPROVED BY:

SCALE



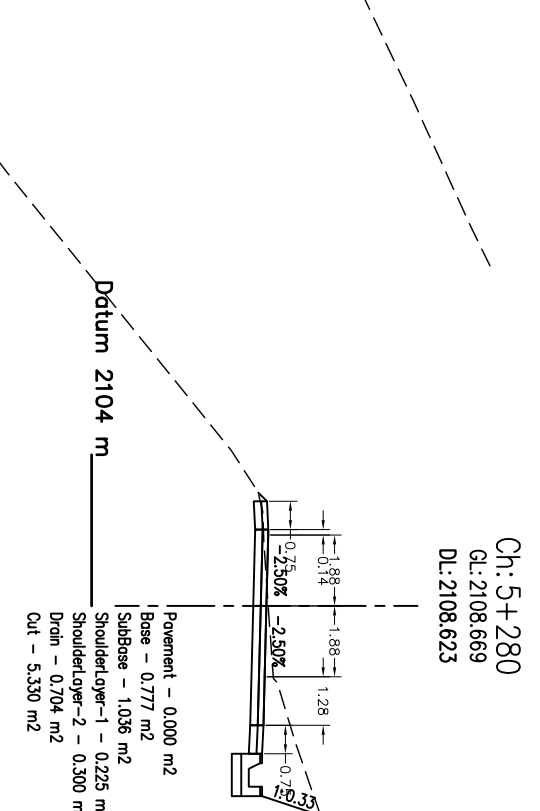
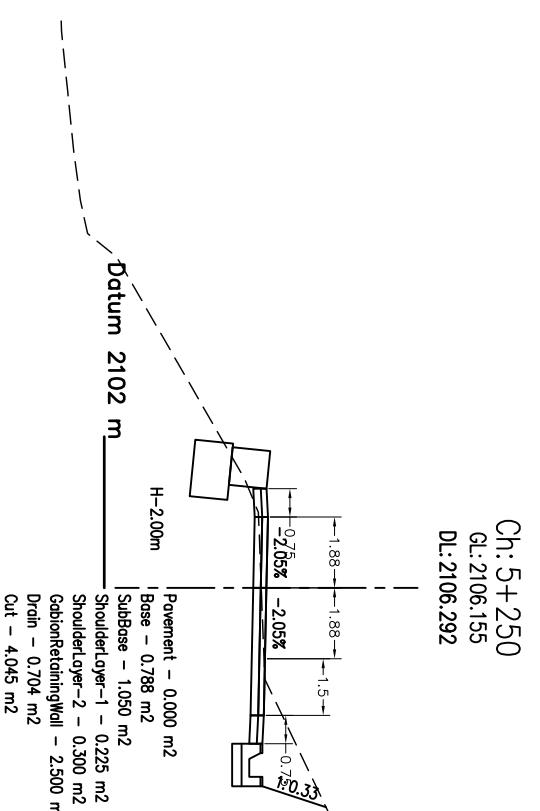
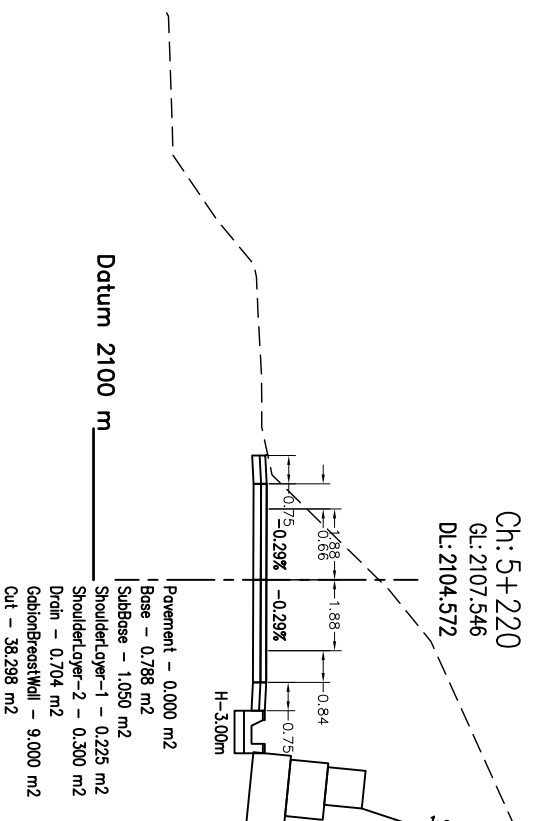
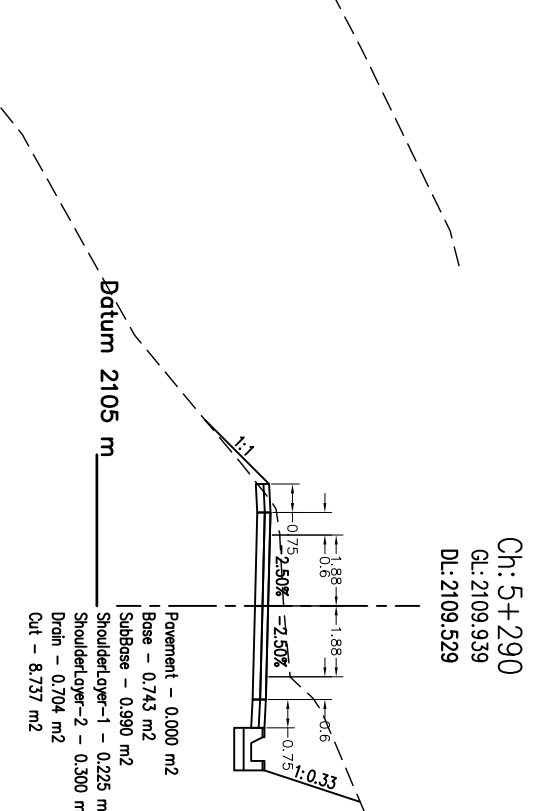
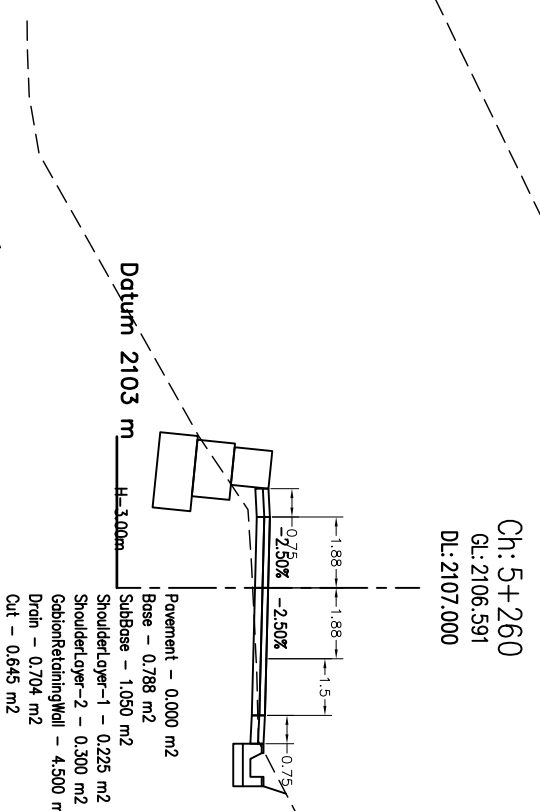
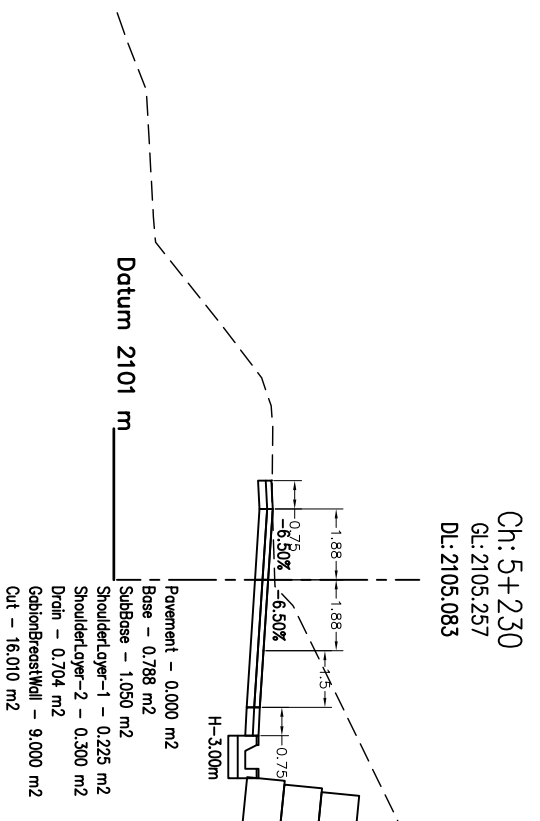
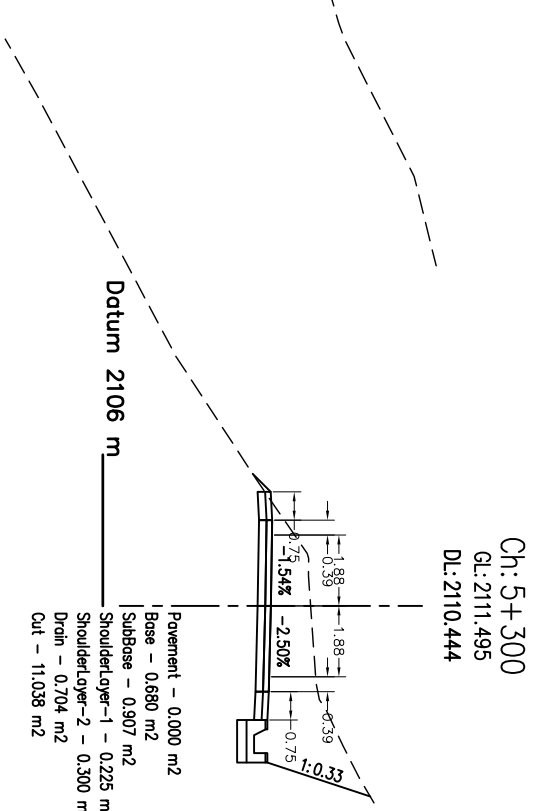
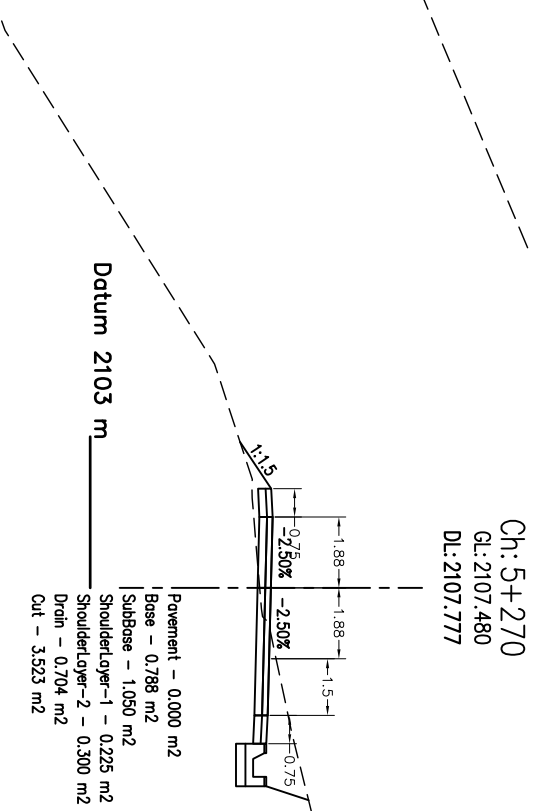
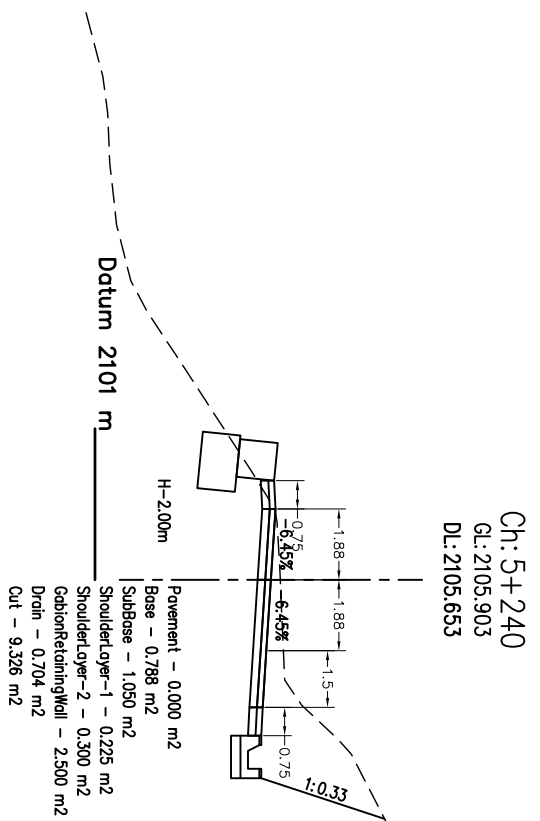
Cross-Section
 5+130-5+210

DATE: February 2022

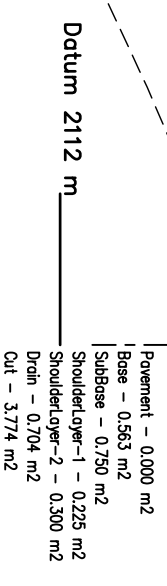
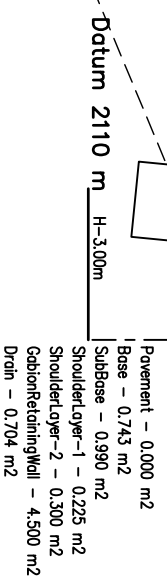
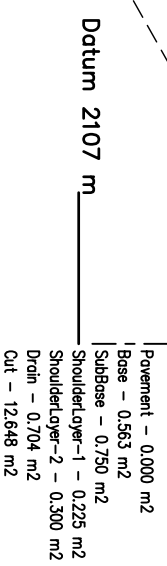
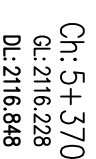
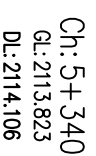
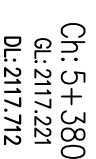
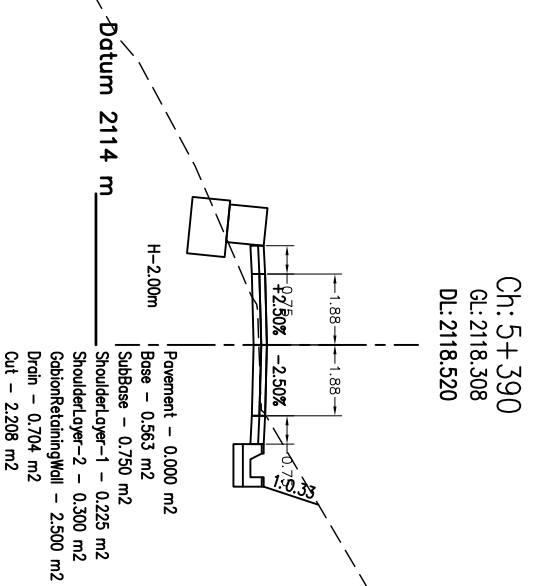
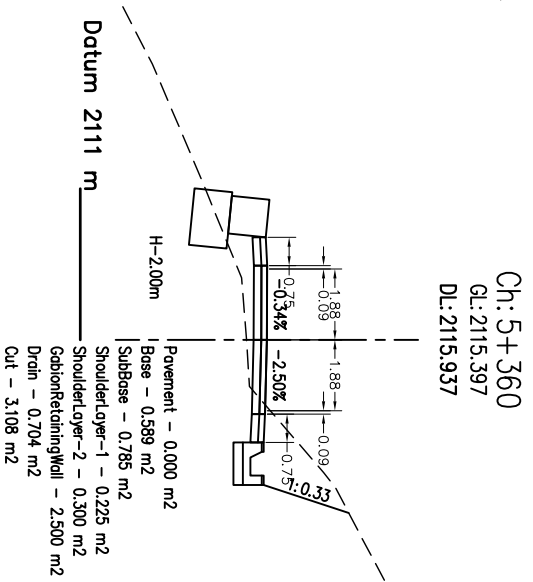
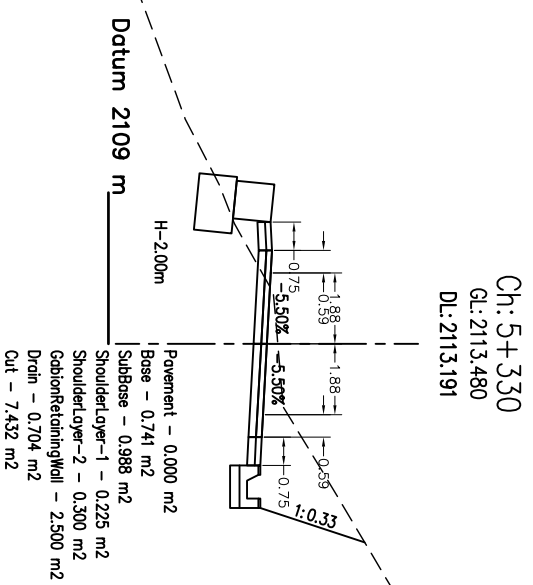
DRG NO.:

SHEET NO.:

1
 58

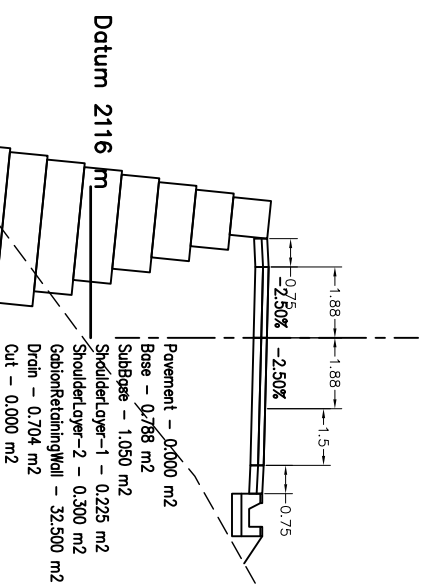


Government of Nepal Ministry of Federal Affairs and General Administration Department of Local Infrastructure (DoLI) Rural Connectivity Improvement Project-Phase 2 (DoLI/RCP/IDPR-04/2019)		CONSULTANT: ITECO - INCLUSIVE JV Sitapalla Chowk, Ring Road		ROAD NAME : Sisaghadh-Jhumbhang-Ransil Road Rukum (East) District		DATE	REVISION	SIGNATURE	DESIGNED BY :	SCALE	Cross-Section 5+220-5+300	DATE: February 2022
								DRAWN BY : CHECKED BY : APPROVED BY :		DRG NO. : 1 SHEET NO. : 59		

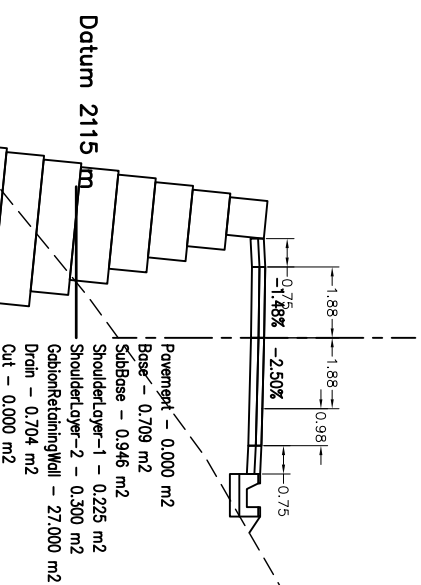


Government of Nepal Ministry of Federal Affairs and General Administration Department of Local Infrastructure (DoLI) Rural Connectivity Improvement Project-Phase 2 (DoLI/RCP/IDPR-04/2019)		CONSULTANT: ITECO - INCLUSIVE JV Sitapalla Chowk, Ring Road		ROAD NAME : Sisaghad-Jhumbang-Ransi Road Rukum (East) District		DATE	REVISION	SIGNATURE	DESIGNED BY :	SCALE	Cross-Section		DATE: February 2022
									DRAWN BY :		5+310-5+390		DRG NO. : 1
									CHECKED BY :				SHEET NO. : 60

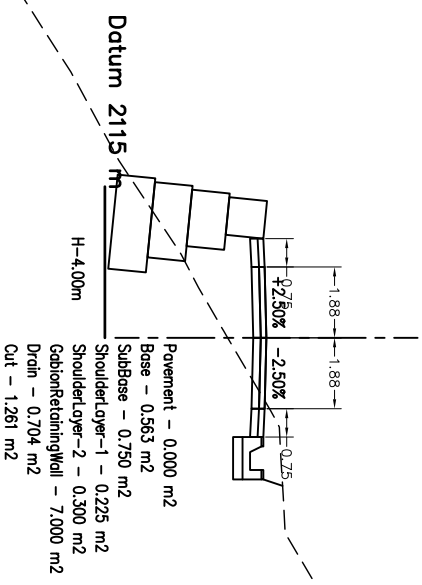
Ch: 5+420
 G.L: 2115.802
 D.L: 2120.662



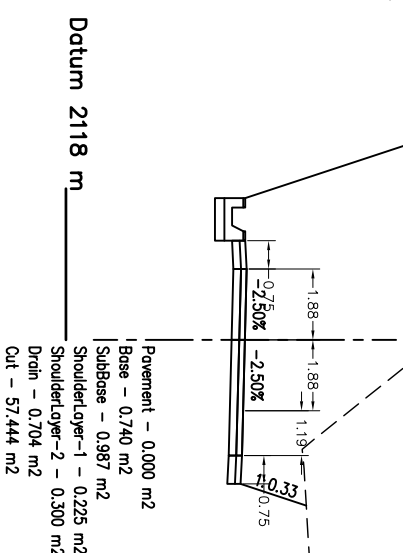
Ch: 5+410
 G.L: 2116.109
 D.L: 2119.972



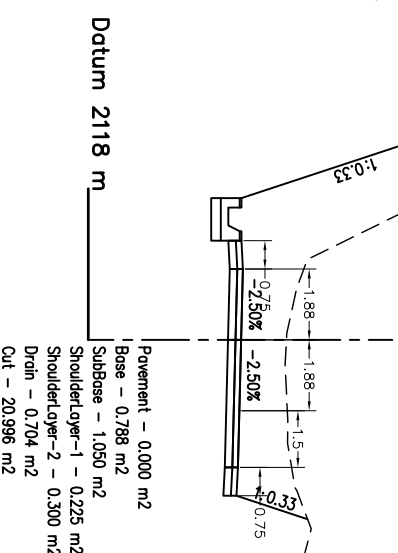
Ch: 5+400
 G.L: 2118.247
 D.L: 2119.272



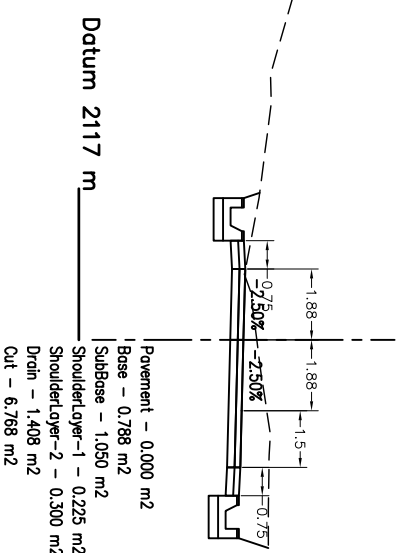
Ch: 5+450
 G.L: 2127.860
 D.L: 2122.732



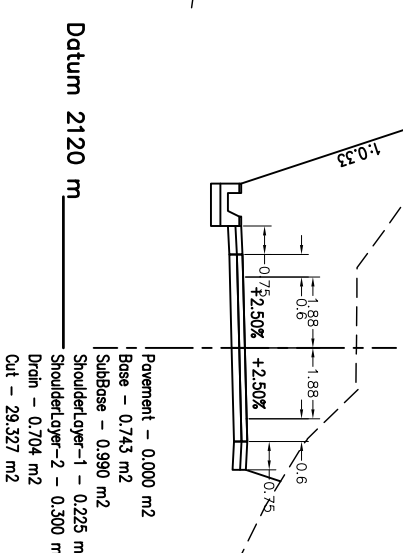
Ch: 5+440
 G.L: 2123.240
 D.L: 2122.042



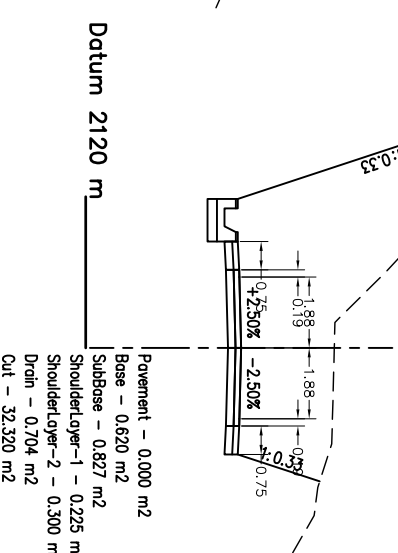
Ch: 5+430
 G.L: 2121.704
 D.L: 2121.352



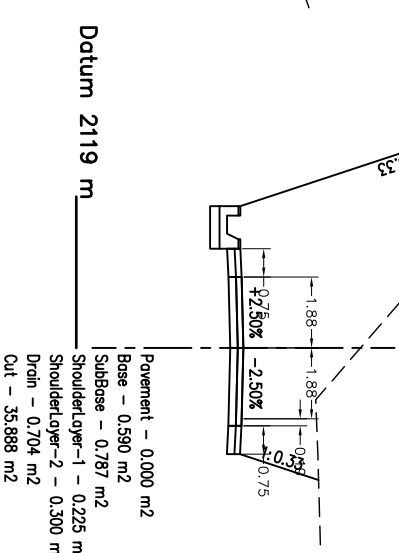
Ch: 5+480
 G.L: 2127.752
 D.L: 2124.802



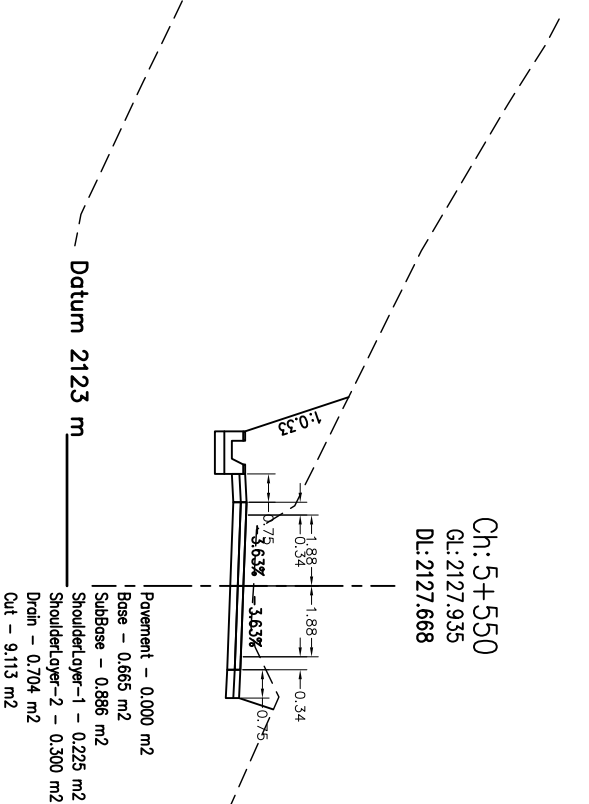
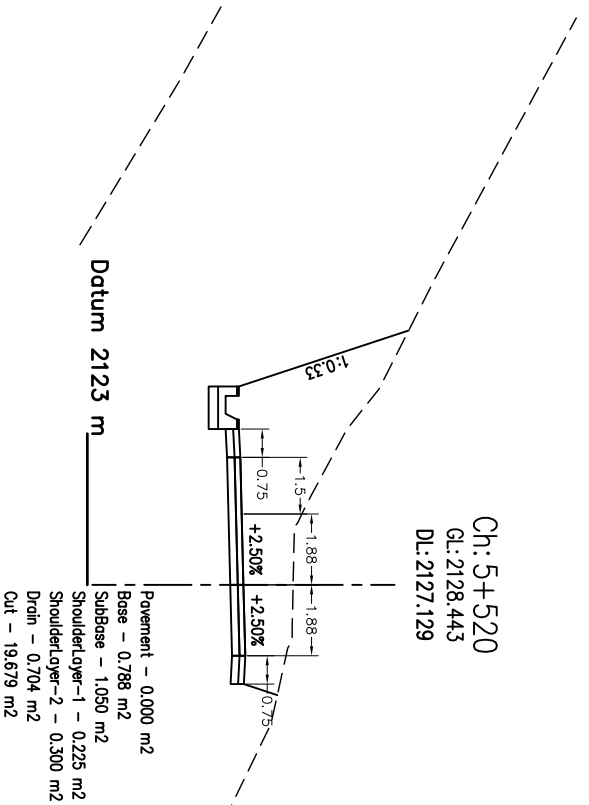
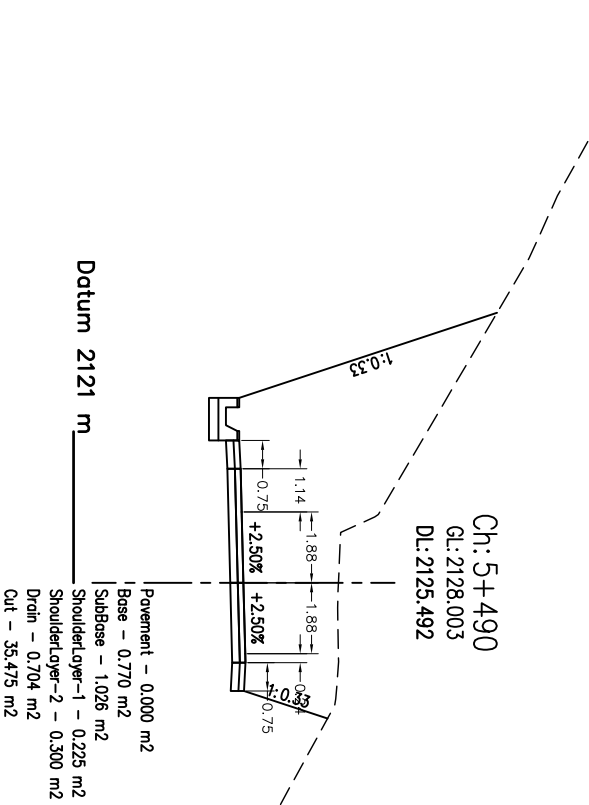
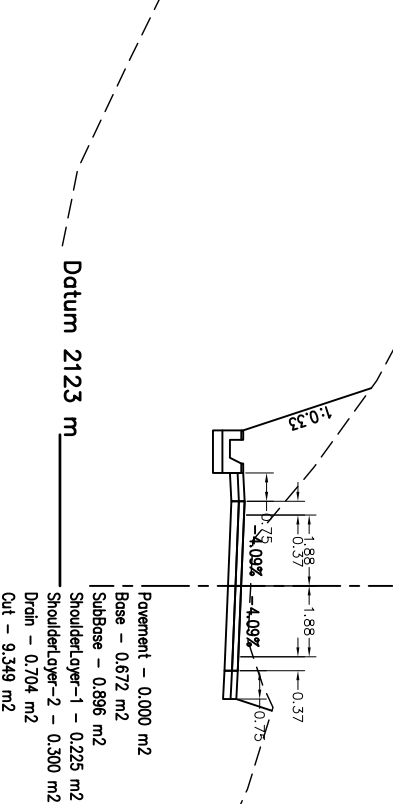
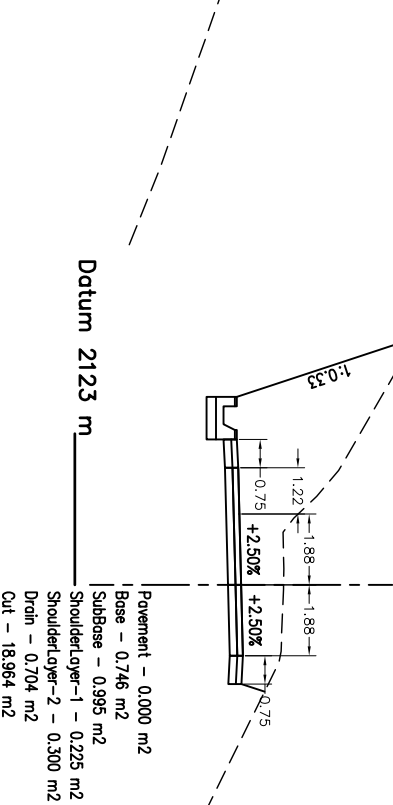
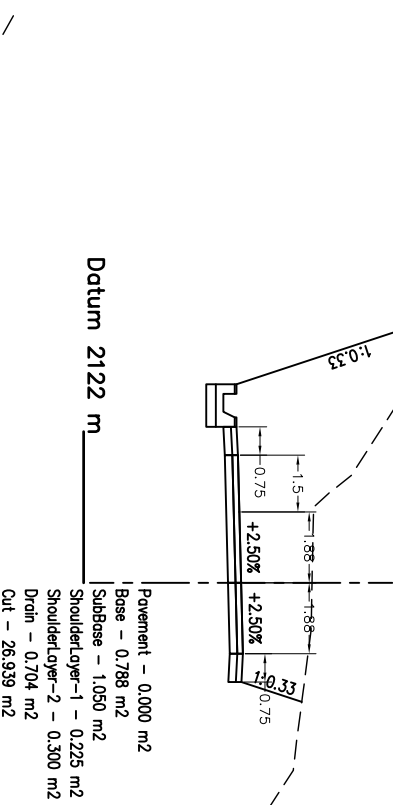
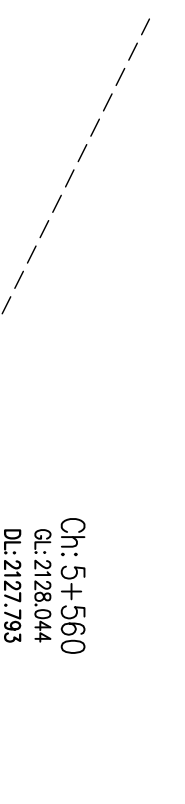
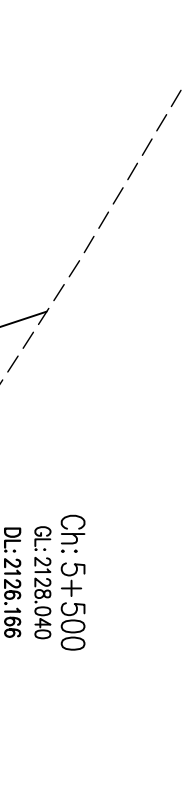
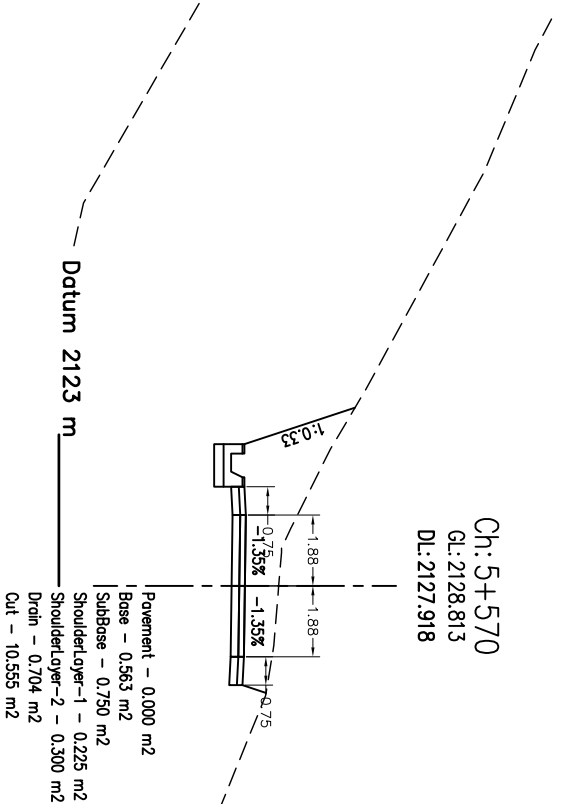
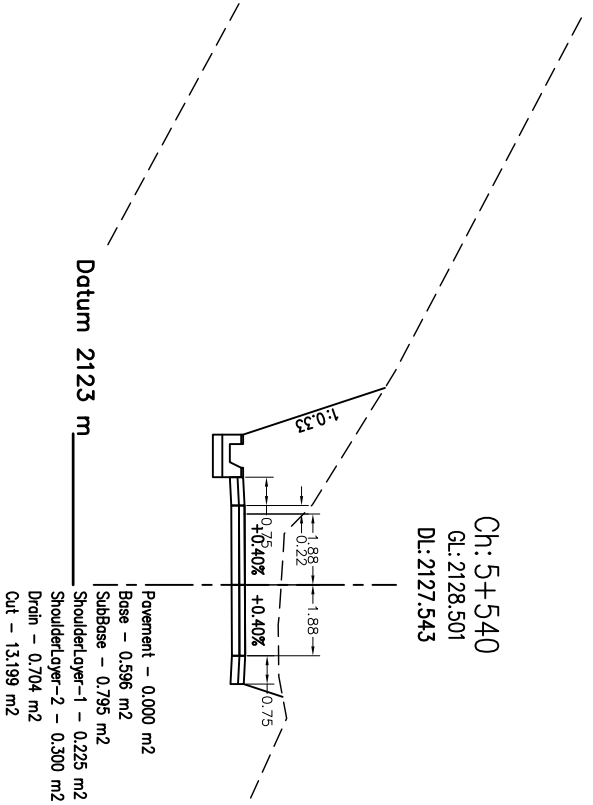
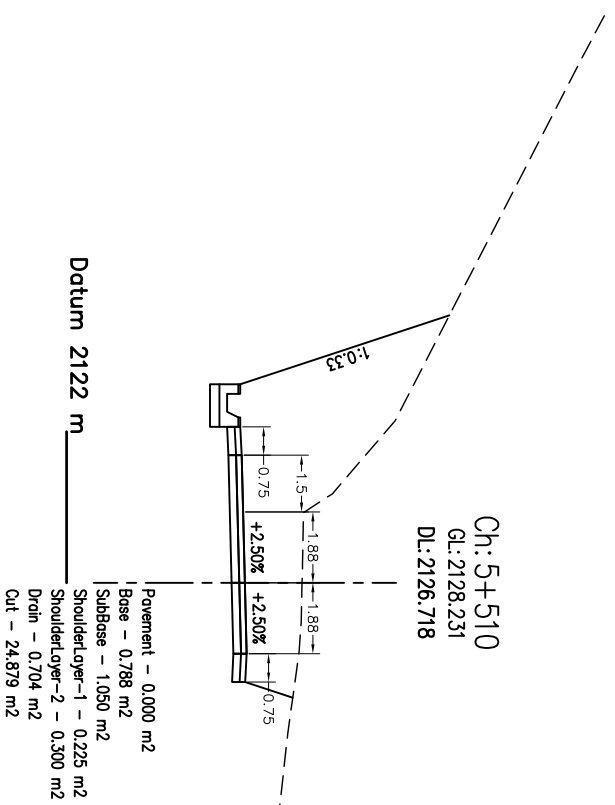
Ch: 5+470
 G.L: 2126.574
 D.L: 2124.112



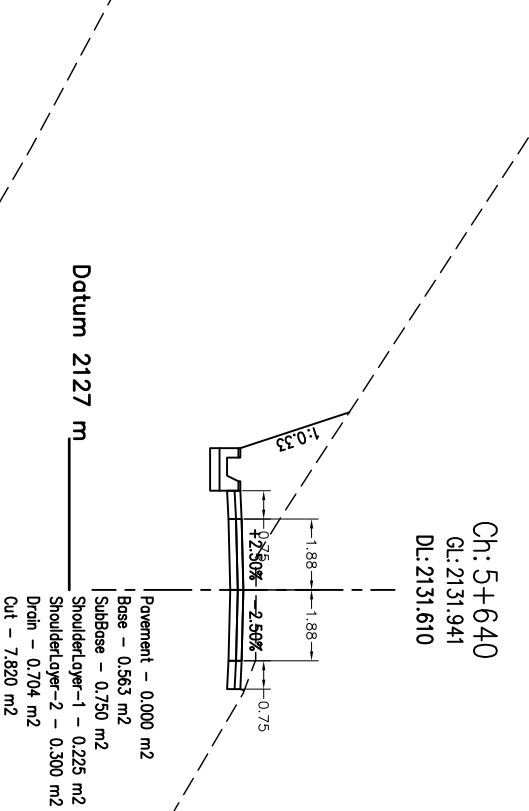
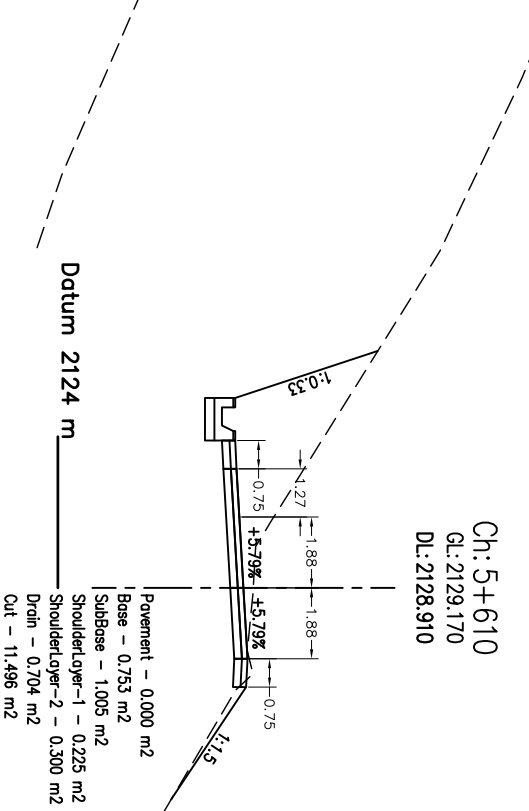
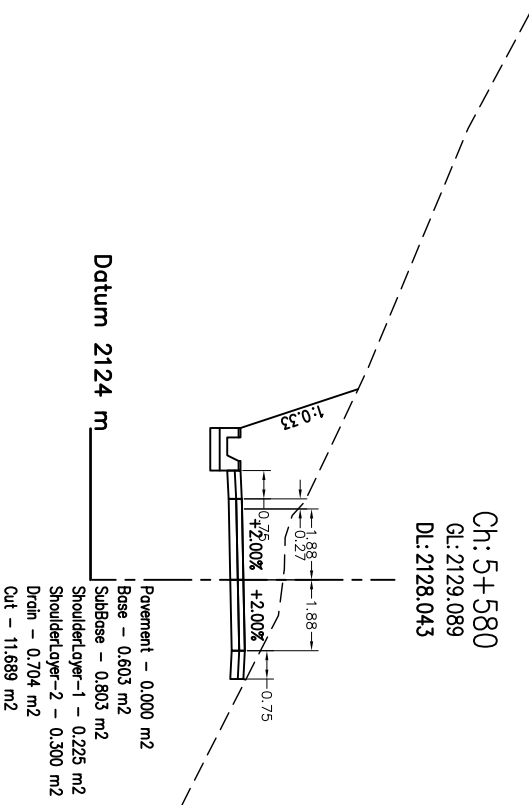
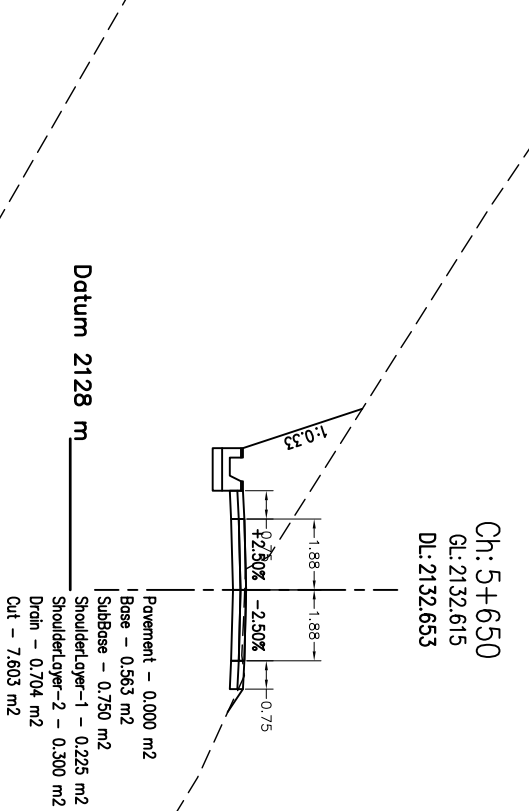
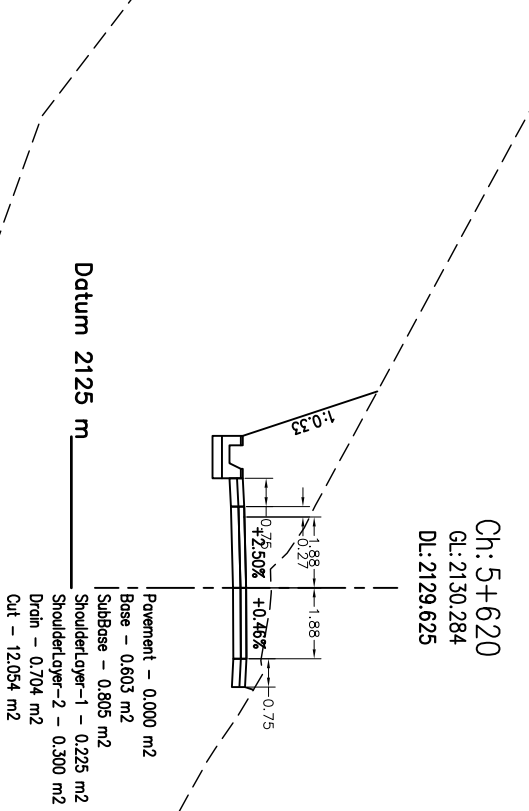
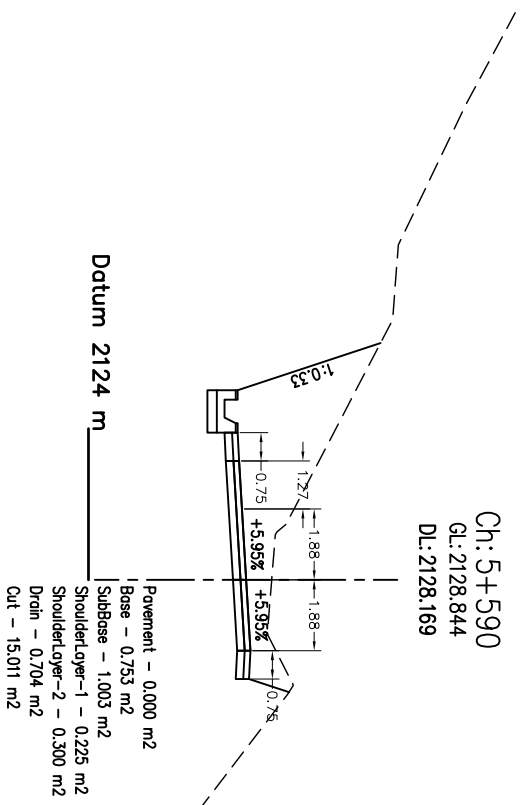
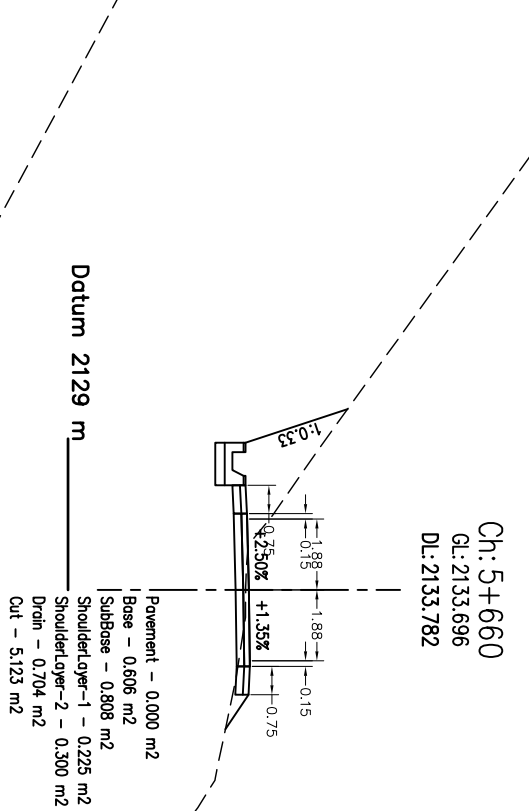
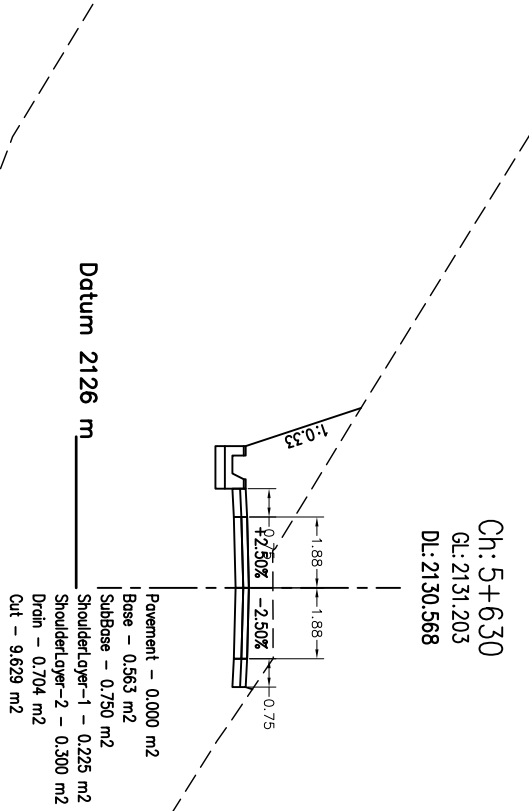
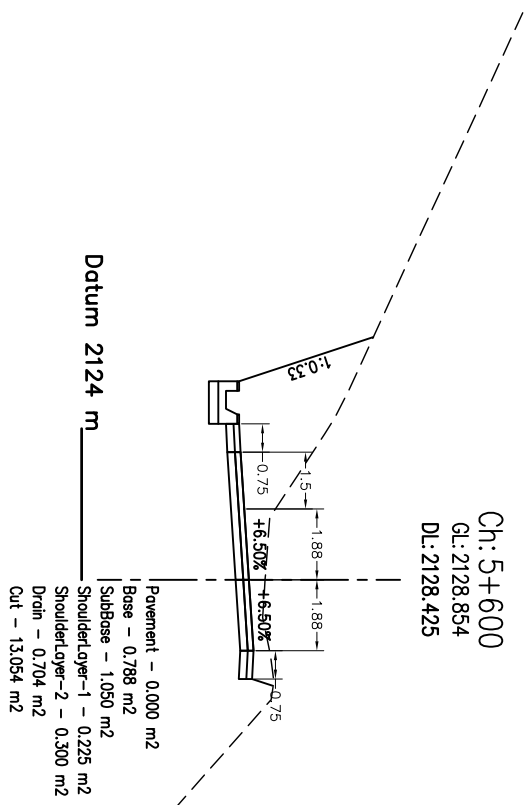
Ch: 5+460
 G.L: 2126.518
 D.L: 2123.422



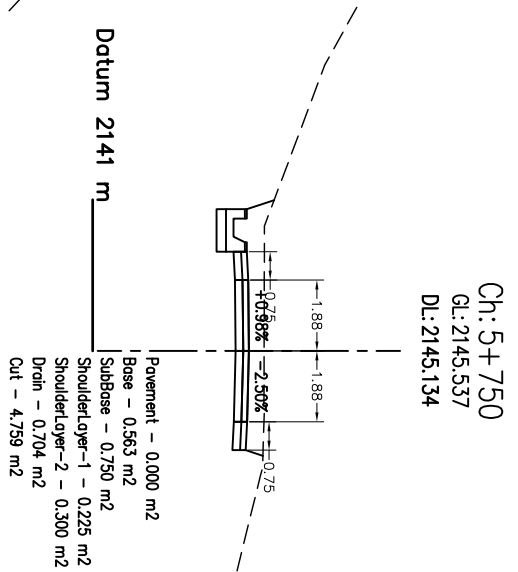
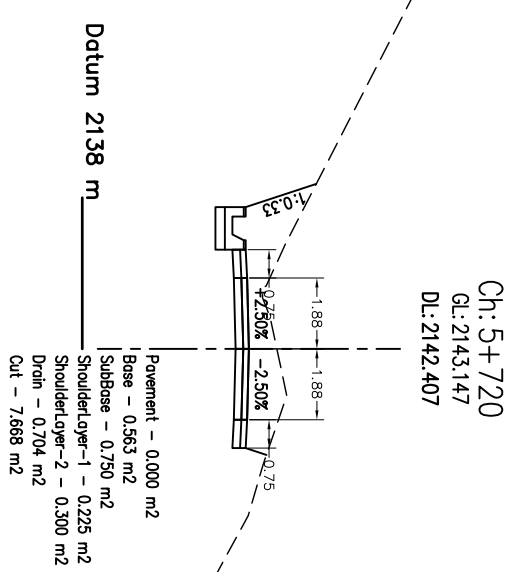
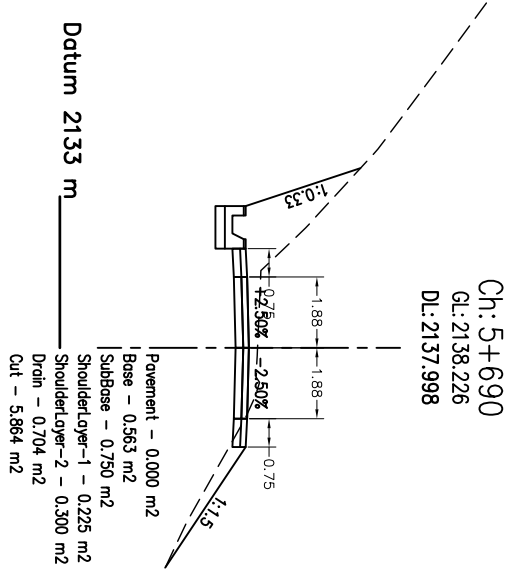
Government of Nepal Ministry of Federal Affairs and General Administration Department of Local Infrastructure (DoLI) Rural Connectivity Improvement Project-Phase 2 (DoLI/RCIP/IDPR-04/2019)		CONSULTANT: ITECO - INCLUSIVE JV Sitapalla Chowk, Ring Road		ROAD NAME: Sisaghadh-Jhumbang-Ransil Road Rukum (East) District		DATE	REVISION	SIGNATURE	DESIGNED BY:	SCALE	Cross-Section	DATE: February 2022
									DRAWN BY:		5+400-5+480	DRG NO.:
								CHECKED BY:	1			SHEET NO.:
									APPROVED BY:			61



Government of Nepal Ministry of Federal Affairs and General Administration Department of Local Infrastructure (DoLI) Rural Connectivity Improvement Project-Phase 2 (DoLI/RCIP/DPR-04/2019)		CONSULTANT: ITECO - INCLUSIVE JV Sitapalla Chowk, Ring Road		ROAD NAME : Sisaghad-humlabang-Ransi Road Rukum (East) District		DATE	REVISION	SIGNATURE	DESIGNED BY :	SCALE	Cross-Section 5+490-5+570		DATE: February 2022
											DRG NO. : 1 SHEET NO. : 62		



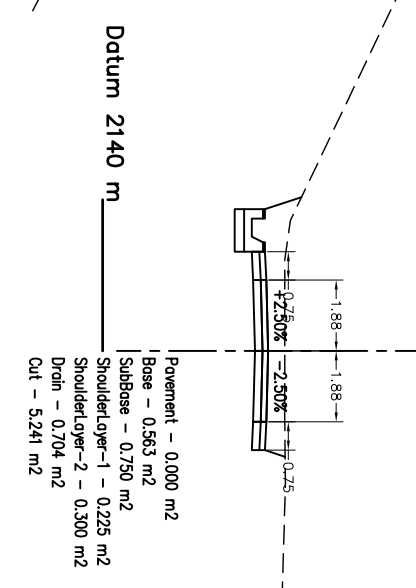
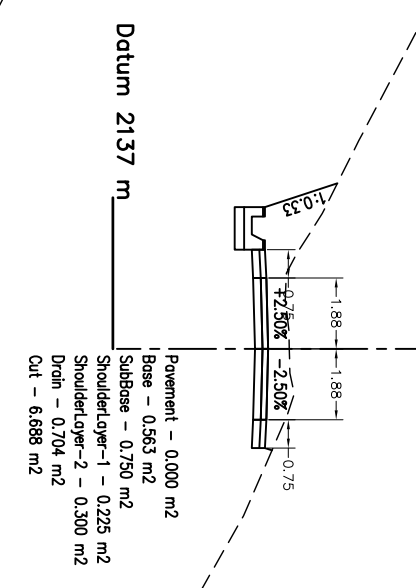
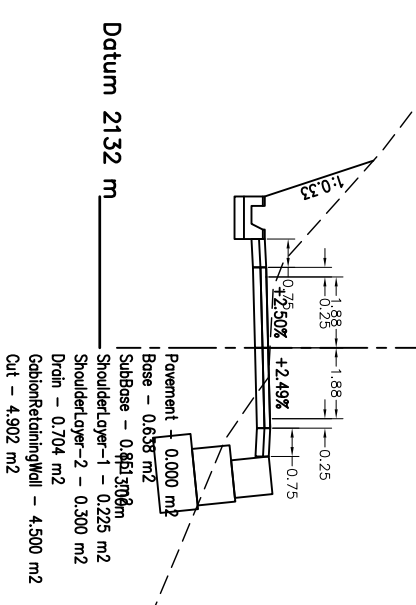
Government of Nepal Ministry of Federal Affairs and General Administration Department of Local Infrastructure (DoLI) Rural Connectivity Improvement Project-Phase 2 (DoLI/RCIP/DPR-04/2019)		CONSULTANT: ITECO - INCLUSIVE JV Sitapalla Chowk, Ring Road		ROAD NAME : Sisaghadh-Jhumbhang-Ransil Road Rukum (East) District		DATE	REVISION	SIGNATURE	DESIGNED BY :	SCALE	Cross-Section		DATE: February 2022
												DRG NO. : 1	SHEET NO. : 63



Ch: 5+680
 G.L: 2136.504
 D.L: 2136.455

Ch: 5+710
 G.L: 2141.664
 D.L: 2141.106

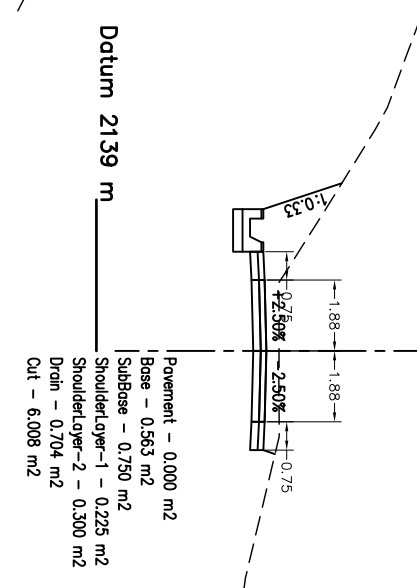
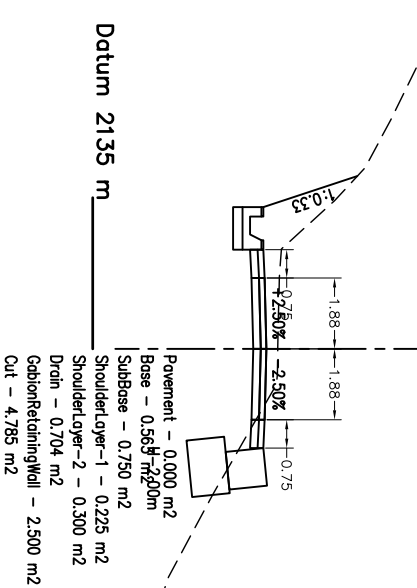
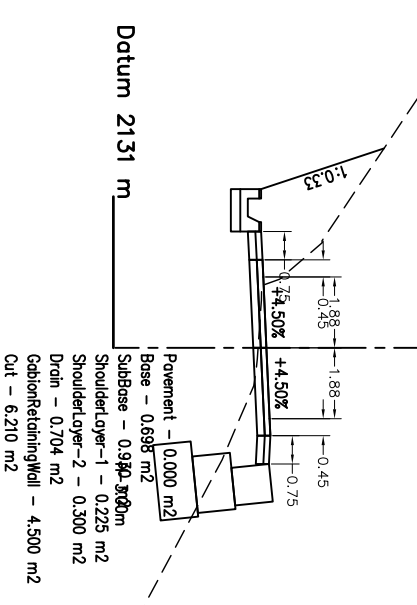
Ch: 5+740
 G.L: 2144.818
 D.L: 2144.378



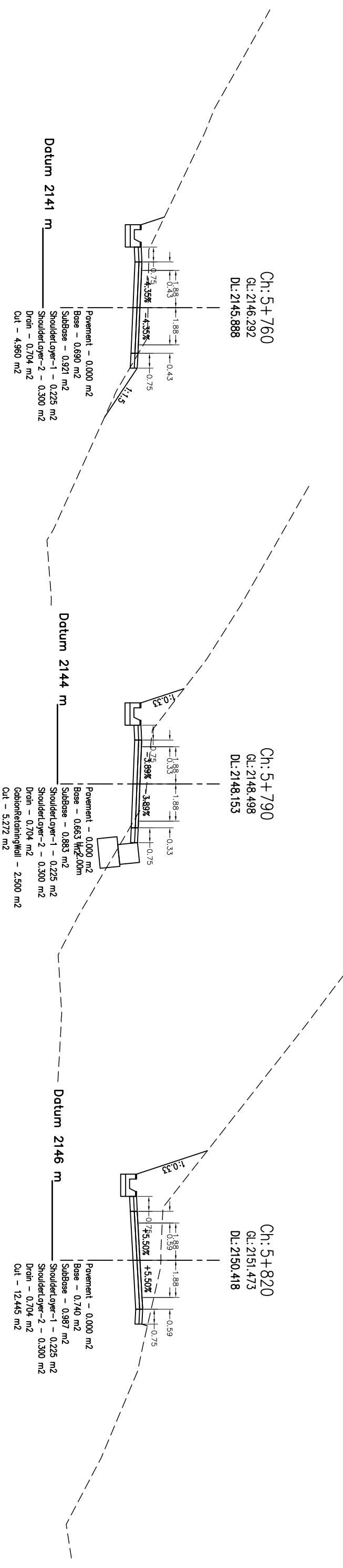
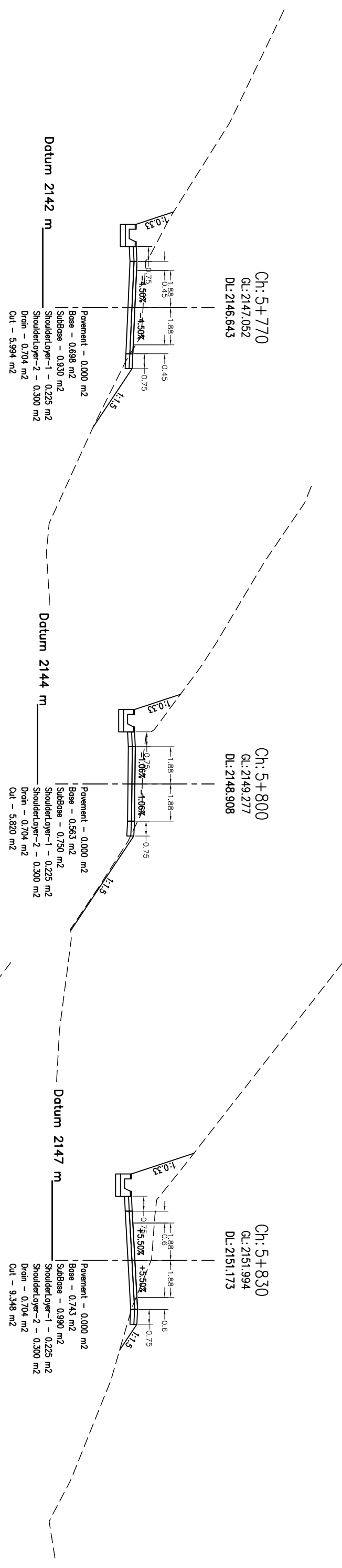
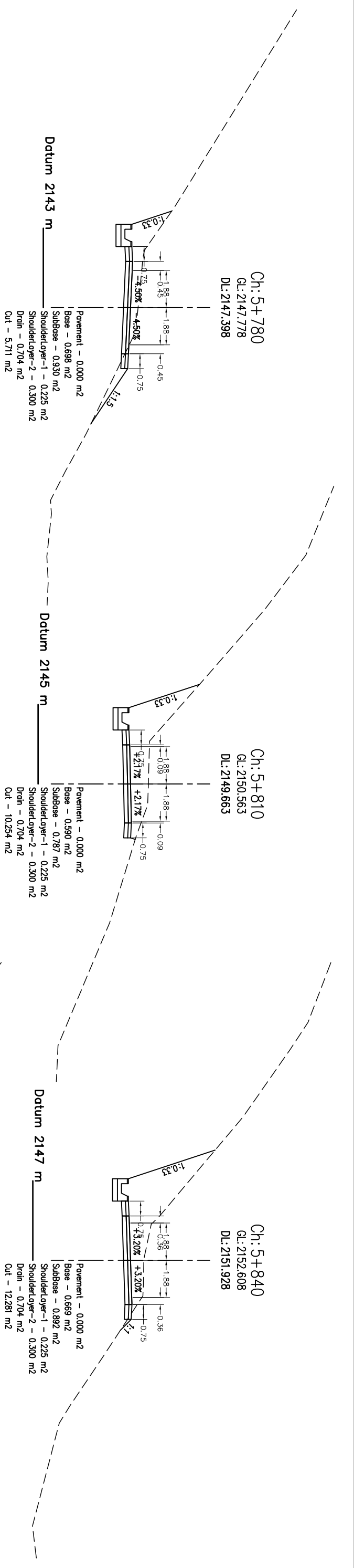
Ch: 5+670
 G.L: 2134.828
 D.L: 2135.049

Ch: 5+700
 G.L: 2139.893
 D.L: 2139.595

Ch: 5+730
 G.L: 2143.829
 D.L: 2143.498

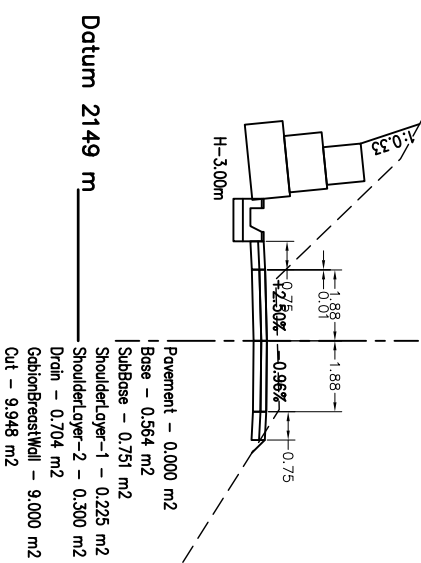


Government of Nepal Ministry of Federal Affairs and General Administration Department of Local Infrastructure (DoLI) Rural Connectivity Improvement Project-Phase 2 (DoLI/RCI/IDPR-04/2019)		CONSULTANT: ITECO - INCLUSIVE JV Sitapalla Chowk, Ring Road		ROAD NAME : Sisaghadhi-Jhumbhang-Ransi Road		ROAD NAME : Rukum (East) District		DATE	REVISION	SIGNATURE	DESIGNED BY :	SCALE	Cross-Section	DATE: February 2022
											DRAWN BY :	1	DRG NO. :	
											CHECKED BY :		5+670-5+750	SHEET NO. :
											APPROVED BY :	64		

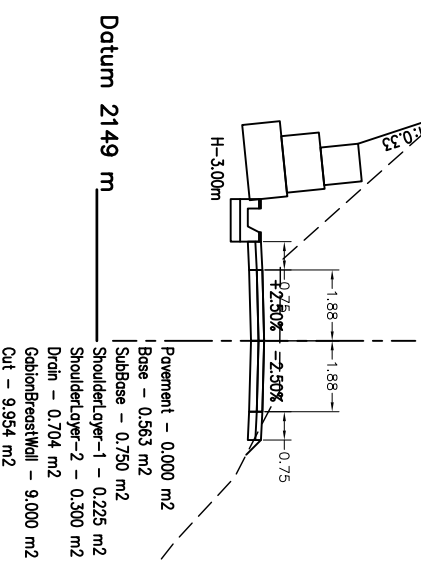


Government of Nepal Ministry of Federal Affairs and General Administration Department of Local Infrastructure (DoLI) Rural Connectivity Improvement Project-Phase 2 (DoLI/RCI/IDPR-04/2019)		CONSULTANT: ITECO - INCLUSIVE JV Sitapalla Chowk, Ring Road		ROAD NAME : Sisaghadh-Jhumlabang-Ransil Road Rukum (East) District		DATE	REVISION	SIGNATURE	DESIGNED BY :	SCALE	Cross-Section 5+760-5+840	DATE: February 2022
								DRAWN BY : CHECKED BY : APPROVED BY :		DRG NO : 1 SHEET NO : 65		

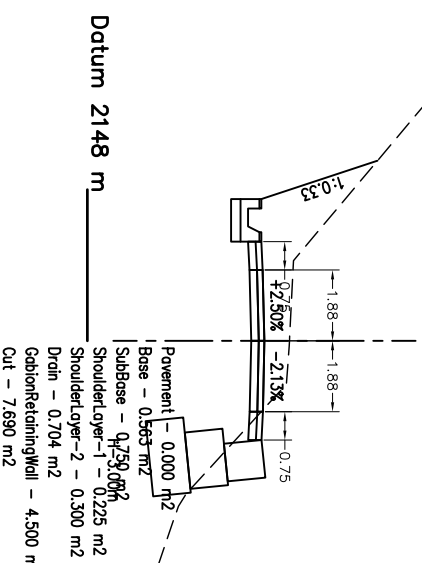
Ch: 5+870
 G.L: 2154.269
 D.L: 2153.990



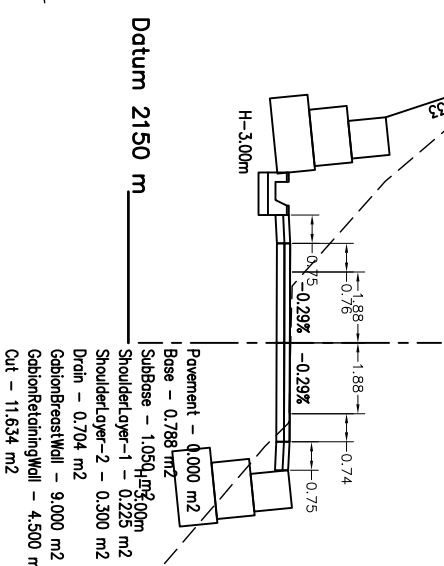
Ch: 5+860
 G.L: 2153.842
 D.L: 2153.427



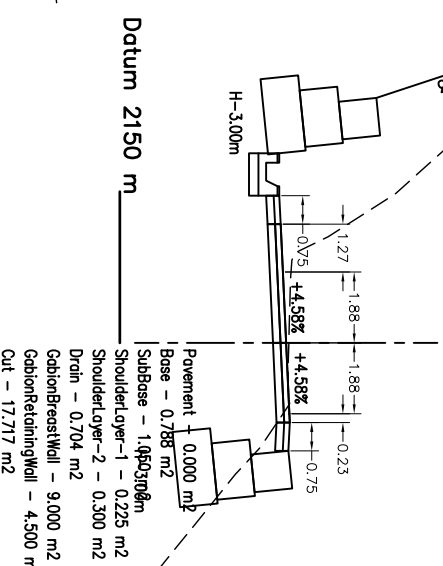
Ch: 5+850
 G.L: 2153.344
 D.L: 2152.683



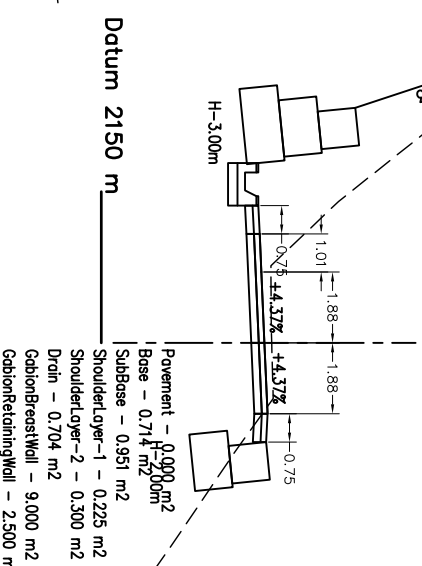
Ch: 5+900
 G.L: 2154.292
 D.L: 2154.271



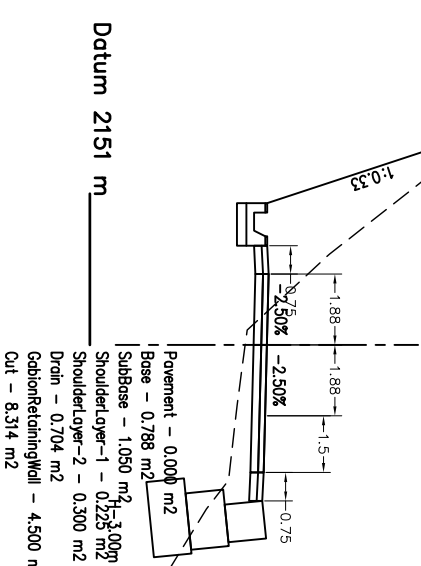
Ch: 5+890
 G.L: 2154.470
 D.L: 2154.400



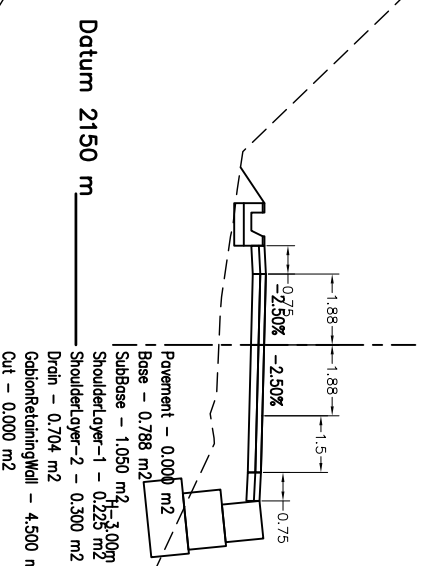
Ch: 5+880
 G.L: 2154.505
 D.L: 2154.314



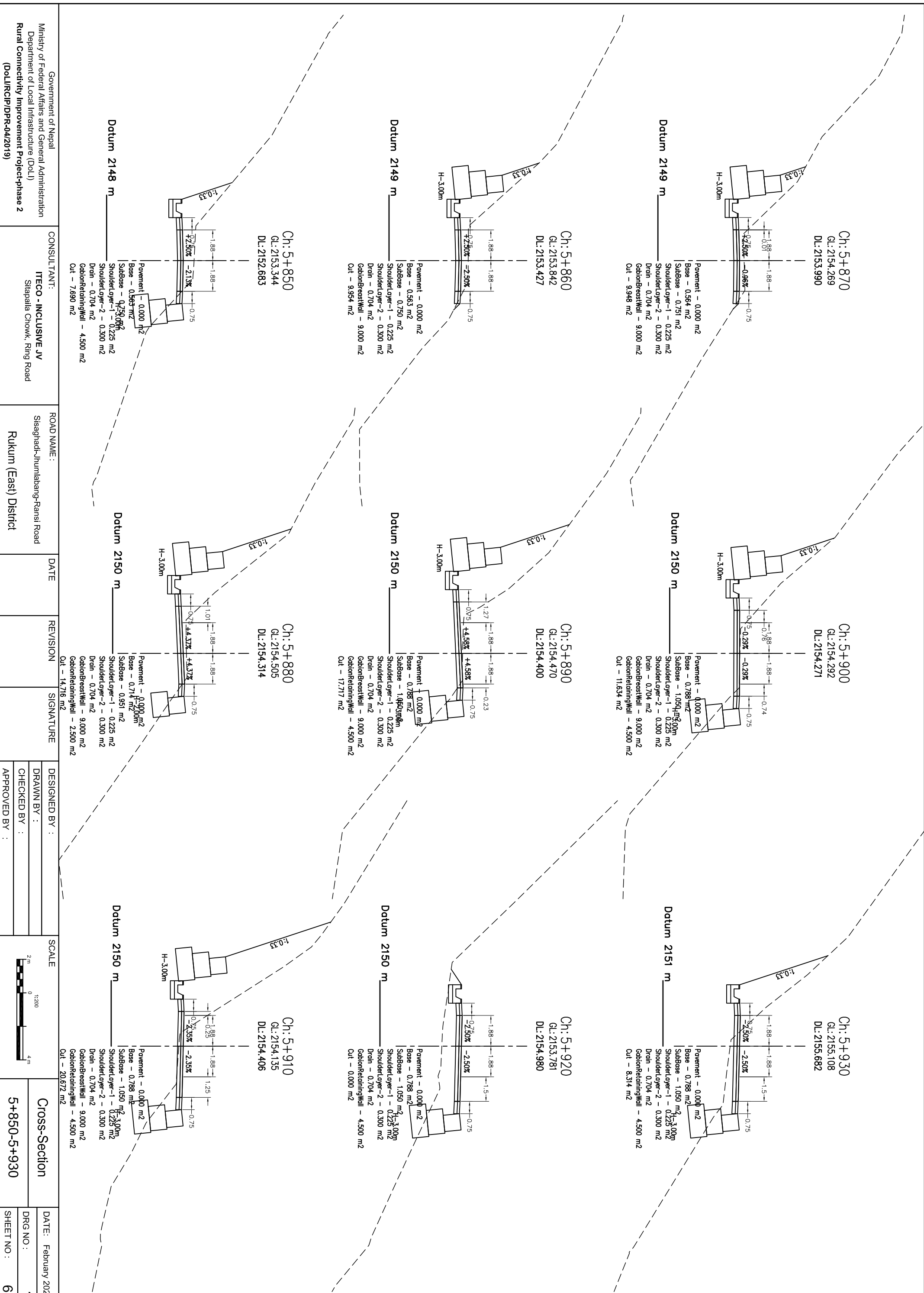
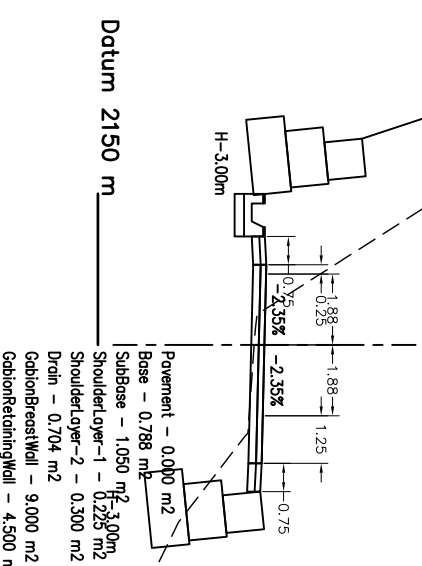
Ch: 5+930
 G.L: 2155.108
 D.L: 2155.682



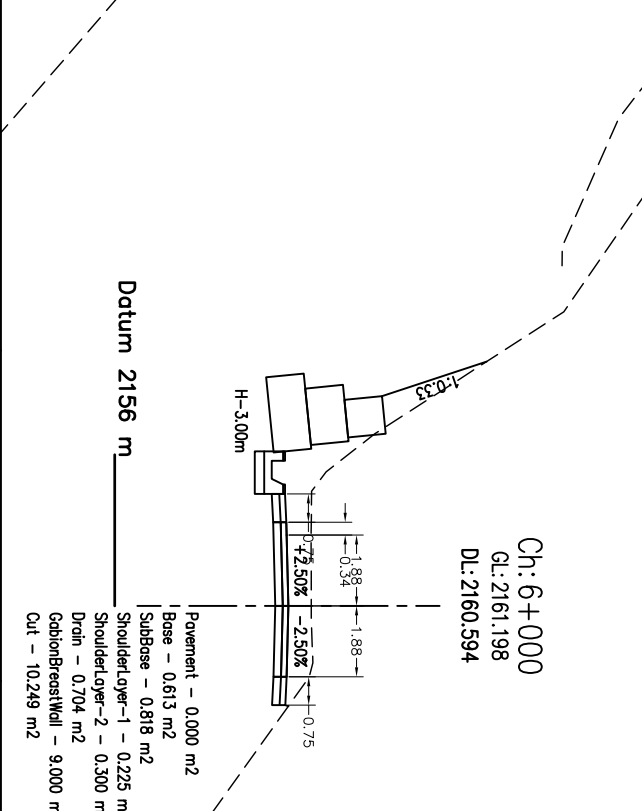
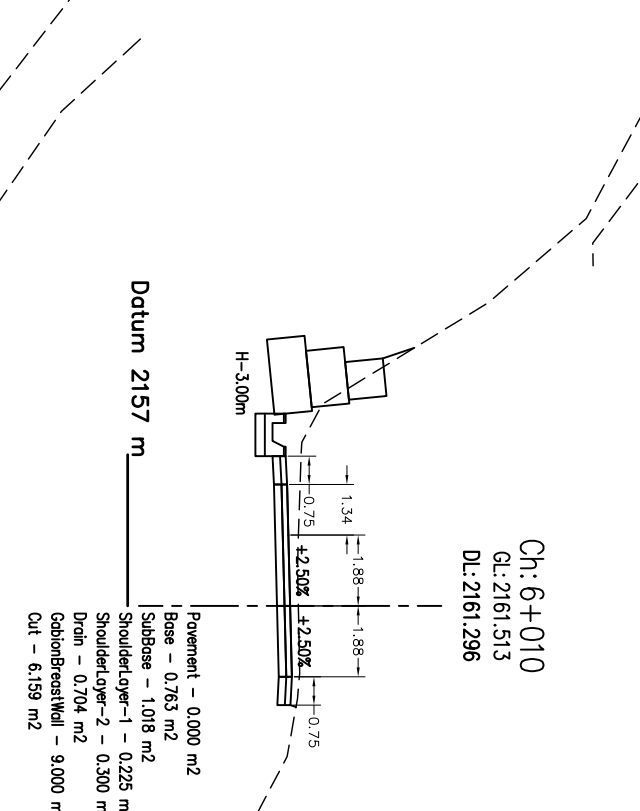
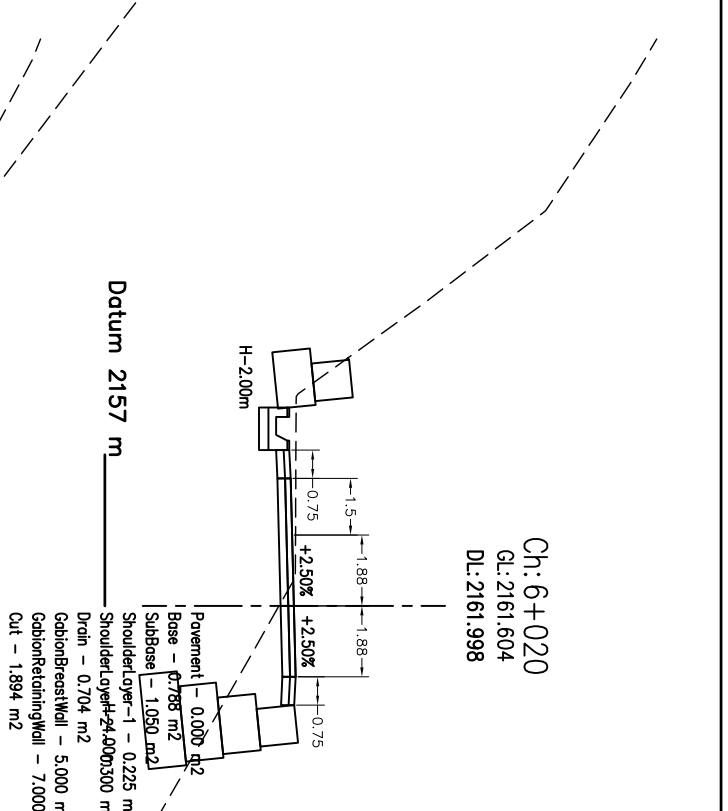
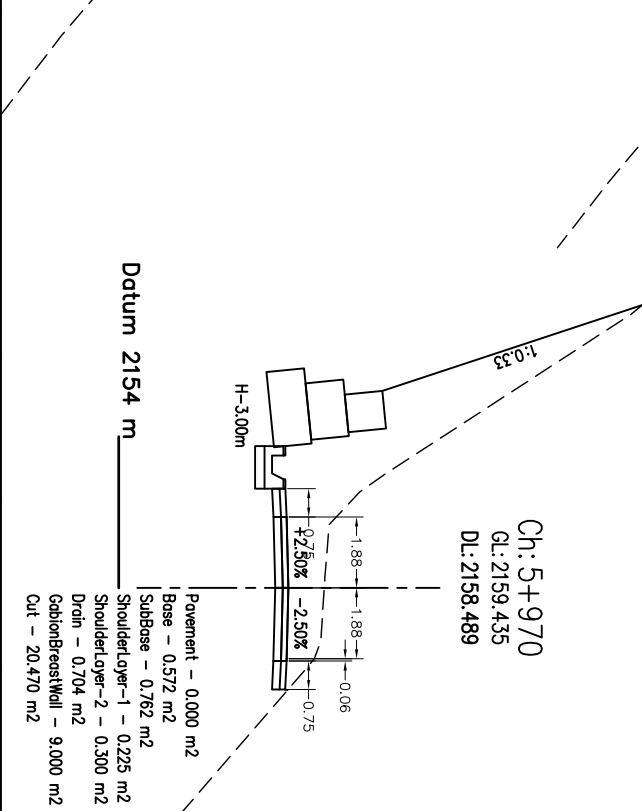
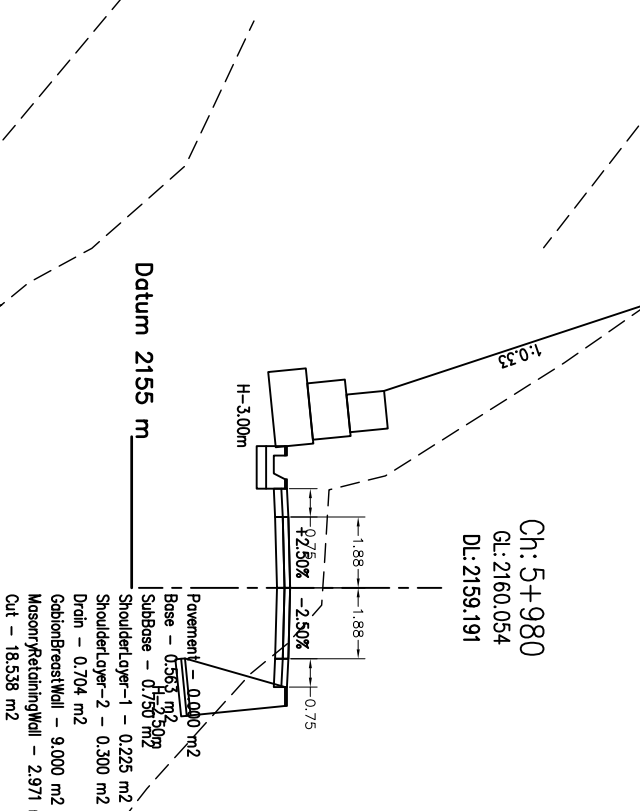
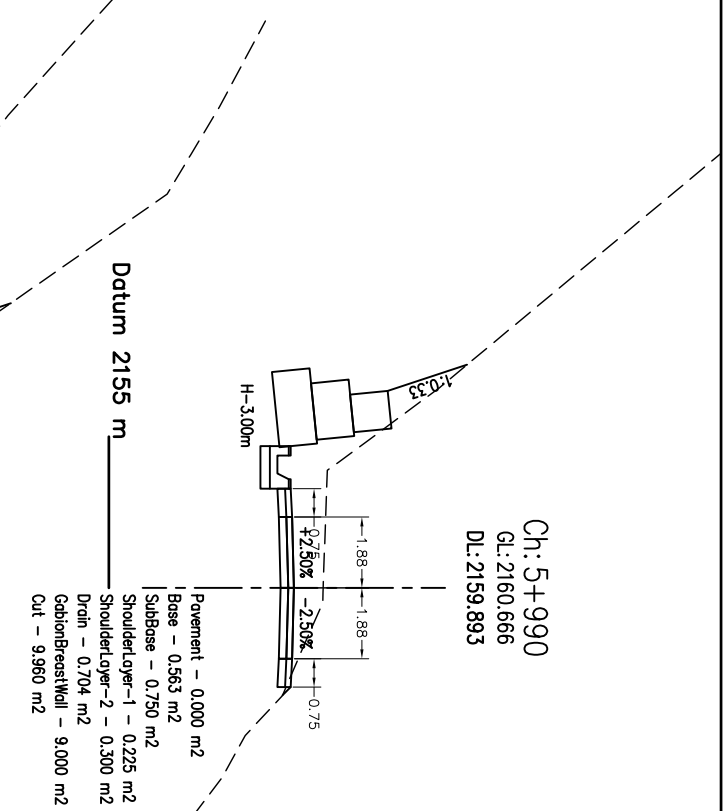
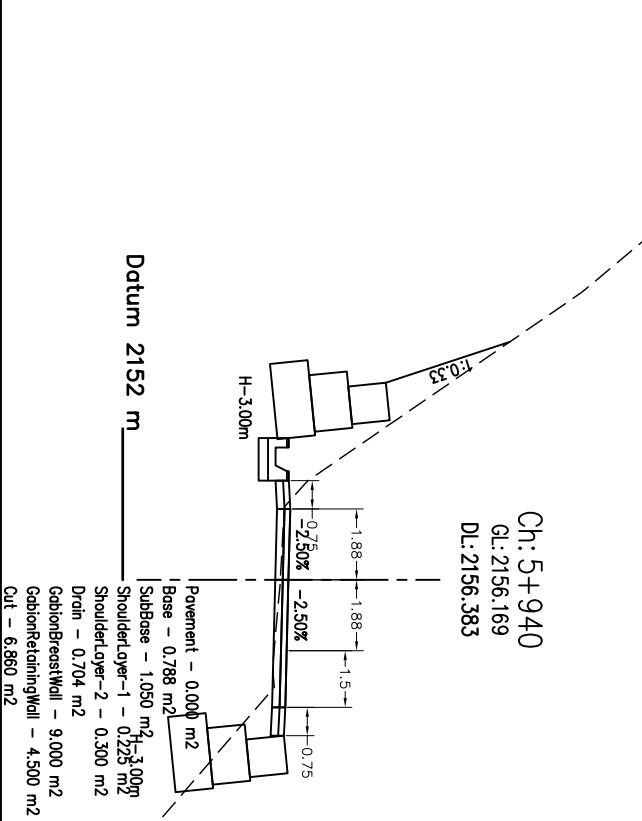
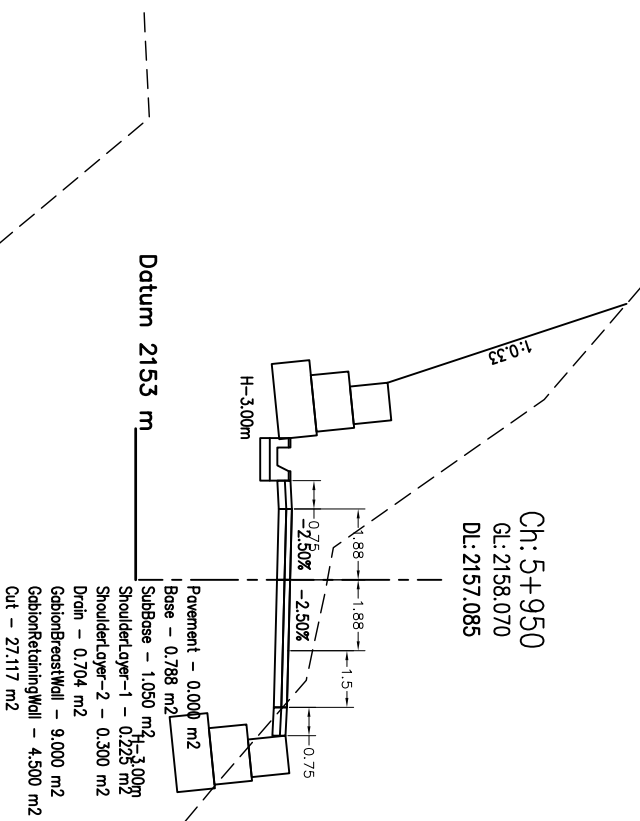
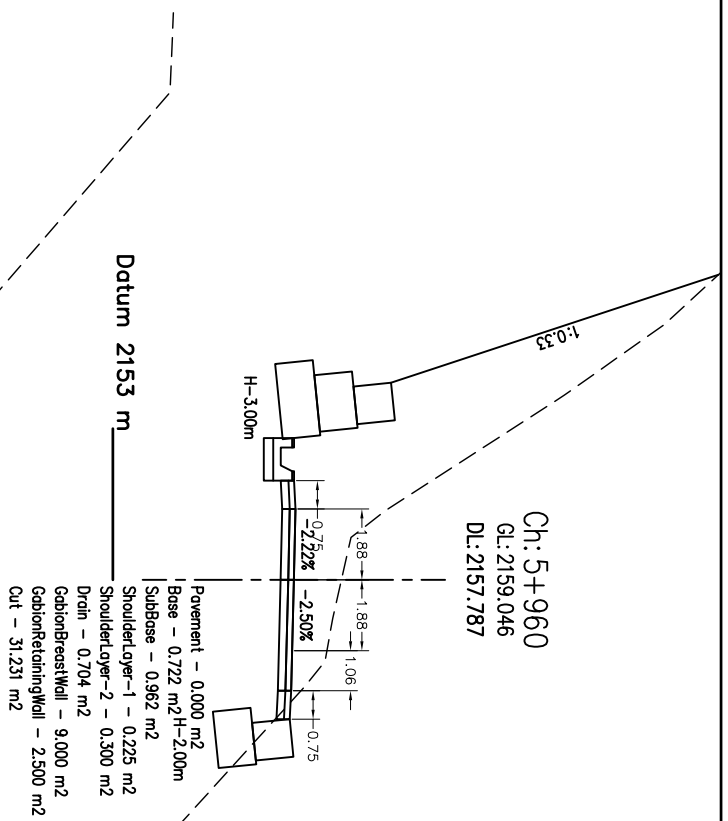
Ch: 5+920
 G.L: 2153.781
 D.L: 2154.980



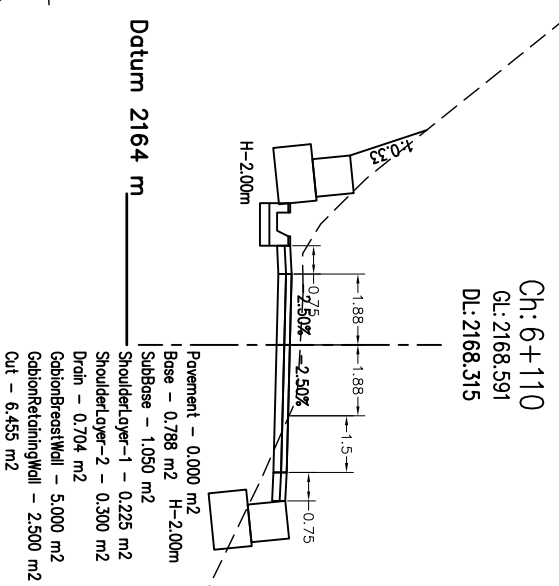
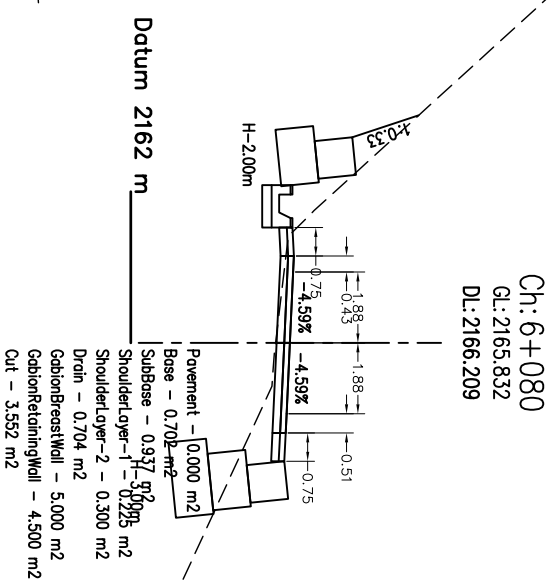
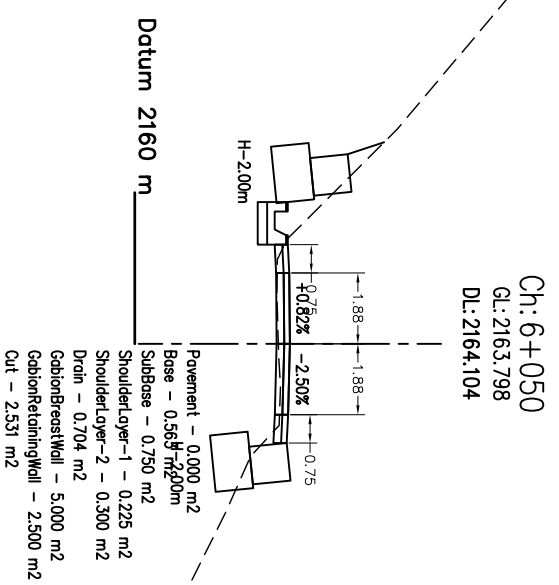
Ch: 5+910
 G.L: 2154.135
 D.L: 2154.406



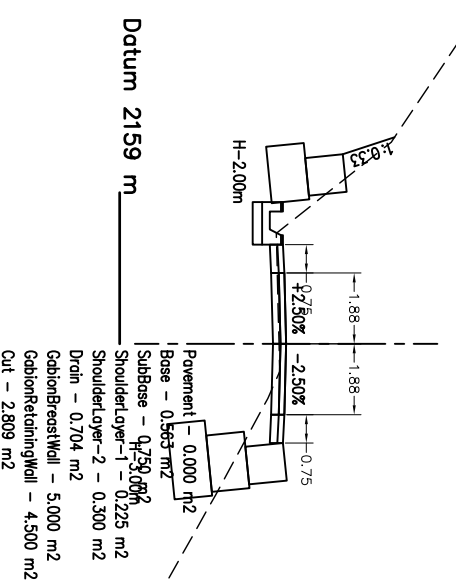
Government of Nepal Ministry of Federal Affairs and General Administration Department of Local Infrastructure (DoLI) Rural Connectivity Improvement Project-Phase 2 (DoLI/RCIP/IDPR-04/2019)		CONSULTANT: ITECO - INCLUSIVE JV Sitapalla Chowk, Ring Road		ROAD NAME: Sisaghadh-Jhumbhang-Ransi Road		DATE		REVISION		SIGNATURE		DESIGNED BY:		SCALE		CROSS-SECTION		DATE: February 2022	
				Rukum (East) District								DRAWN BY:		1:200		5+850-5+930		DRG NO.:	
												CHECKED BY:		4m				SHEET NO.:	
												APPROVED BY:						66	



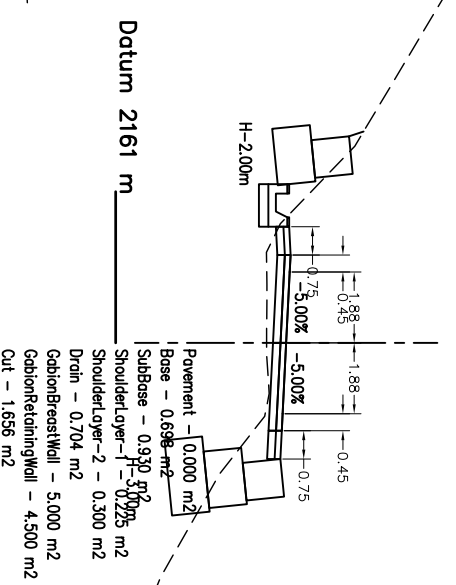
Government of Nepal Ministry of Federal Affairs and General Administration Department of Local Infrastructure (DoLI) Rural Connectivity Improvement Project-Phase 2 (DoLI/RICIP/DPR-04/2019)		CONSULTANT: ITECO - INCLUSIVE JV Sitapalla Chowk, Ring Road		ROAD NAME : Sisaghadhi-Jhumbhang-Ransi Road		DATE		REVISION		SIGNATURE		DESIGNED BY :		SCALE		Cross-Section		DATE: February 2022	
				Rukum (East) District								DRAWN BY :		1:200		5+940-6+020		DRG NO. : 1	
												CHECKED BY :		0				SHEET NO. : 67	
												APPROVED BY :		4m					



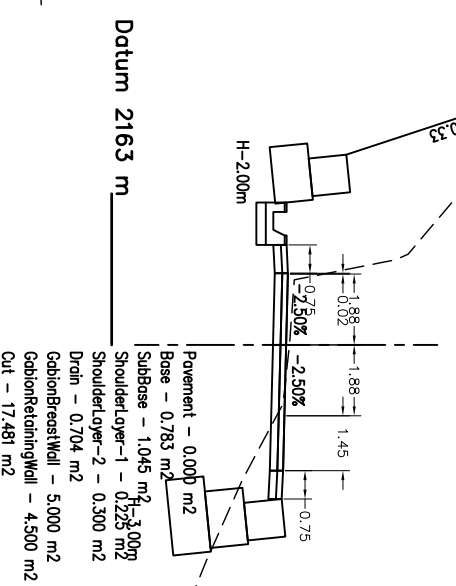
Ch: 6+040
 G.L: 2163.214
 D.L: 2163.402



Ch: 6+070
 G.L: 2164.989
 D.L: 2165.508



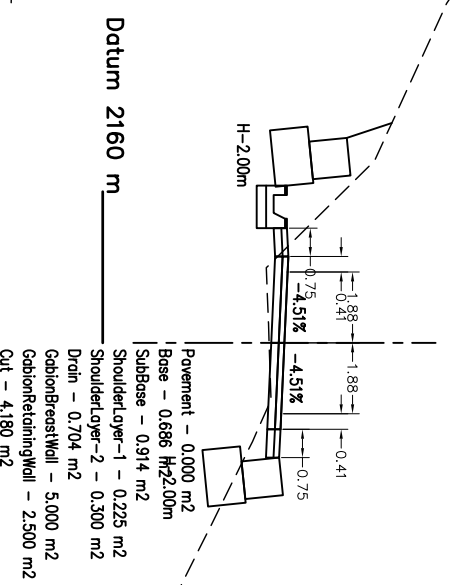
Ch: 6+100
 G.L: 2167.701
 D.L: 2167.613



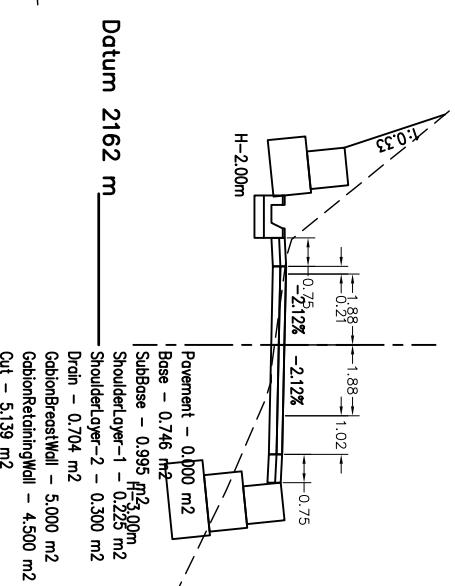
Ch: 6+030
 G.L: 2162.591
 D.L: 2162.700



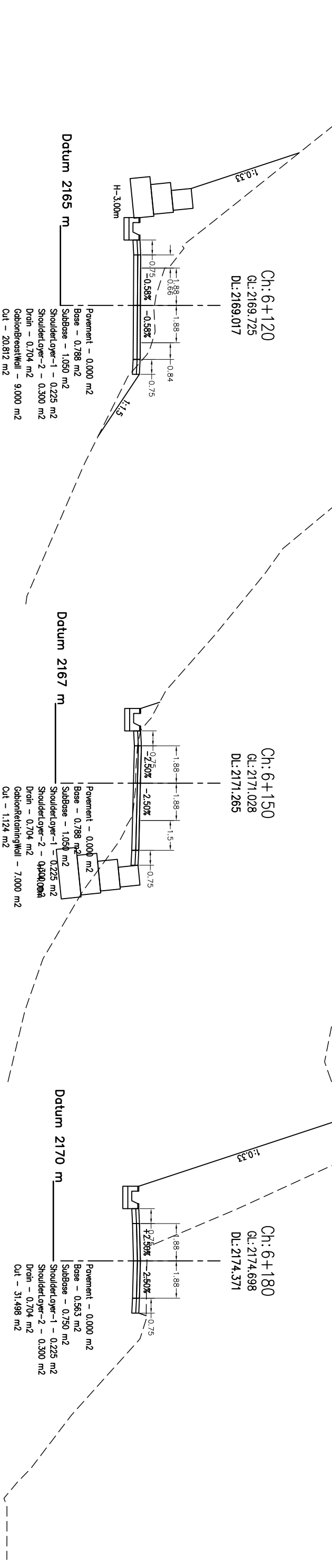
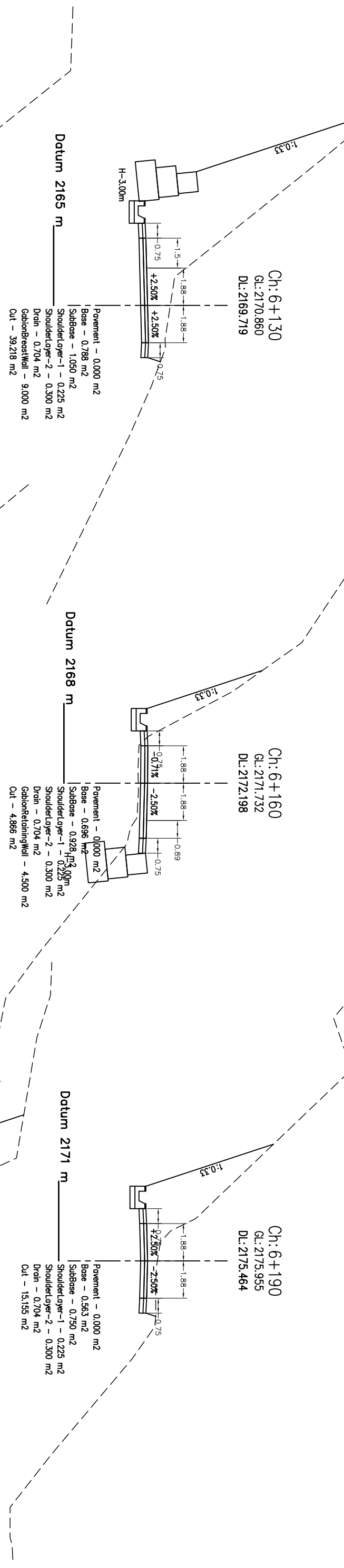
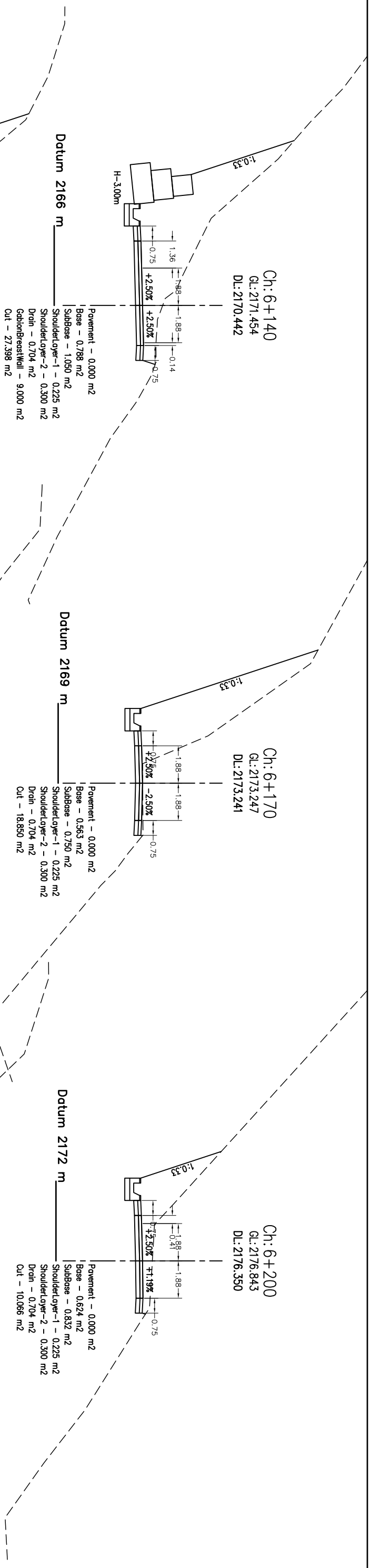
Ch: 6+060
 G.L: 2164.400
 D.L: 2164.806



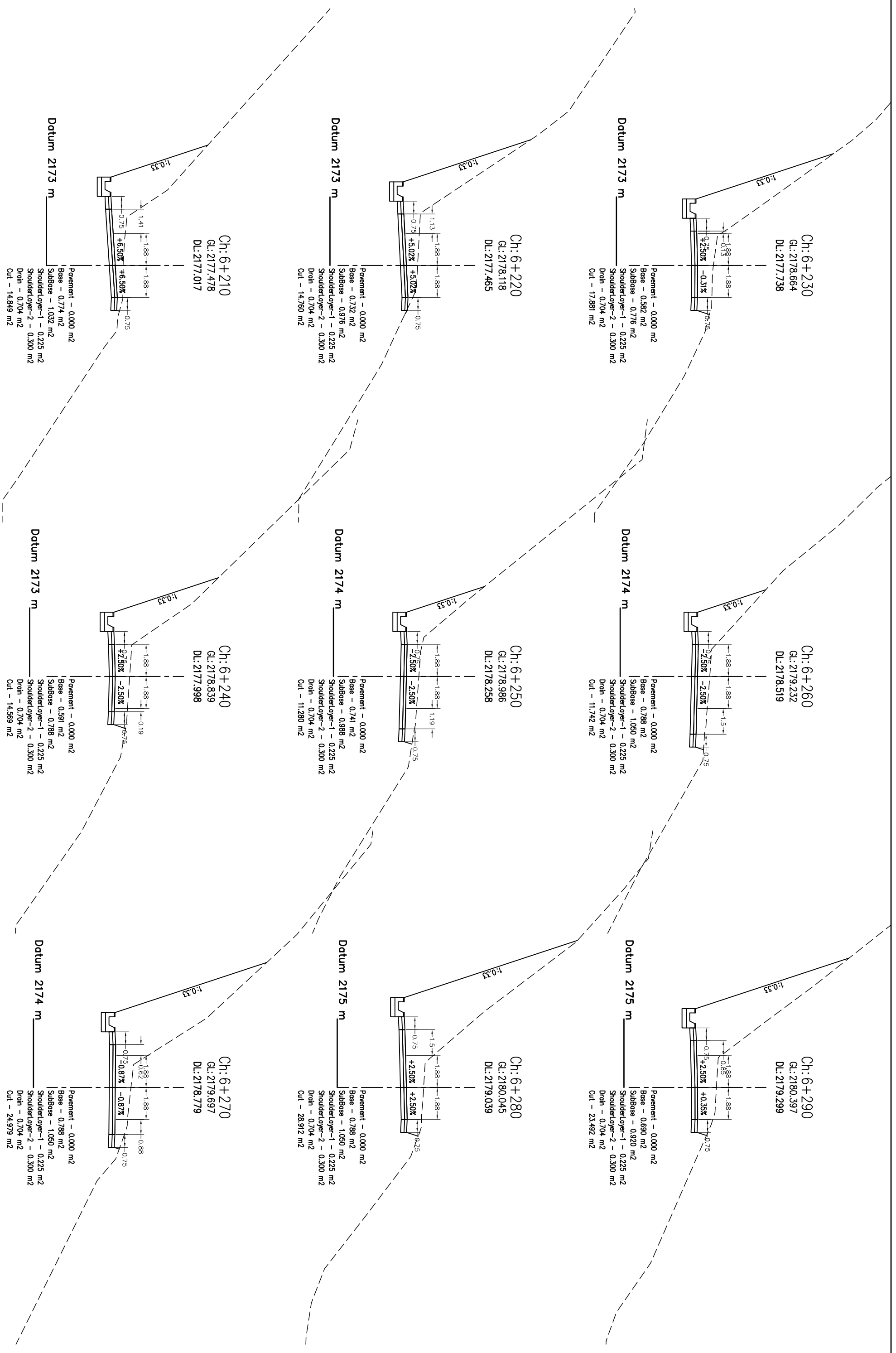
Ch: 6+090
 G.L: 2166.648
 D.L: 2166.911



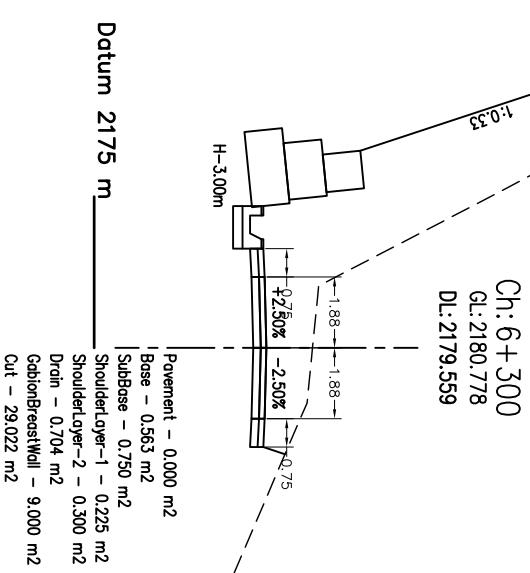
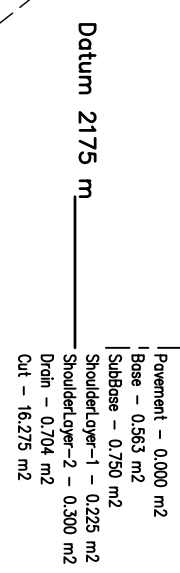
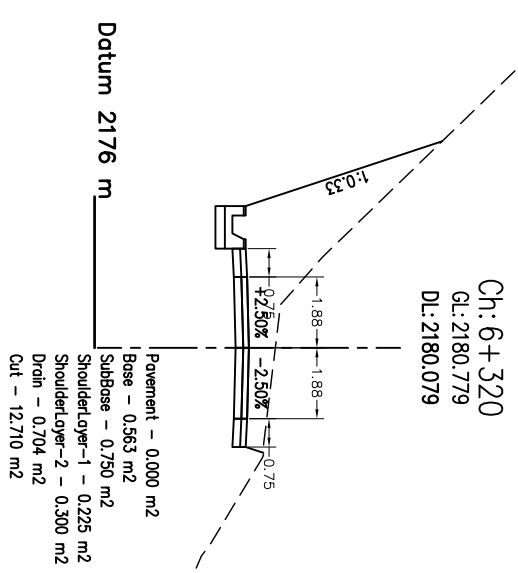
Government of Nepal Ministry of Federal Affairs and General Administration Department of Local Infrastructure (DoLI) Rural Connectivity Improvement Project-Phase 2 (DoLI/RCI/IDPR-04/2019)		CONSULTANT: ITECO - INCLUSIVE JV Sitapalla Chowk, Ring Road		ROAD NAME : Sisaghadhi-Jhumlabang-Ransi Road		DATE		REVISION		SIGNATURE		DESIGNED BY :		SCALE		Cross-Section		DATE: February 2022	
				Rukum (East) District								DRAWN BY :		1:200		6+030-6+110		DRG NO. : 1	
												CHECKED BY :		4m				SHEET NO. : 68	
												APPROVED BY :							



Government of Nepal Ministry of Federal Affairs and General Administration Department of Local Infrastructure (DoLI) Rural Connectivity Improvement Project-Phase 2 (DoLI/RCP/IDPR-04/2019)		CONSULTANT: ITECO - INCLUSIVE JV Sitapalla Chowk, Ring Road		ROAD NAME : Sisaghadh-Jhumlabang-Ransil Road Rukum (East) District		DATE	REVISION	SIGNATURE	DESIGNED BY :	SCALE 	Cross-Section 6+120-6+200	DATE: February 2022
							DRAWN BY :	DRG NO. : 1				
							CHECKED BY :	SHEET NO. : 69				



Government of Nepal Ministry of Federal Affairs and General Administration Department of Local Infrastructure (DoLI) Rural Connectivity Improvement Project-Phase 2 (DoLI/RCP/IDPR-04/2019)		CONSULTANT: ITECO - INCLUSIVE JV Sitapalla Chowk, Ring Road		ROAD NAME : Sisaghadh-Jhumbhang-Ransil Road Rukum (East) District		DATE	REVISION	SIGNATURE	DESIGNED BY :	SCALE	Cross-Section 6+210-6+290	DATE: February 2022
								DRAWN BY : CHECKED BY : APPROVED BY :		DRG NO : 1 SHEET NO : 70		



Government of Nepal Ministry of Federal Affairs and General Administration Department of Local Infrastructure (DoLI) Rural Connectivity Improvement Project-Phase 2 (DoLI/RCIP/DPR-04/2019)		CONSULTANT: ITECO - INCLUSIVE JV Sitapalla Chowk, Ring Road		ROAD NAME : Sisaghad-Jhumlabang-Ransi Road Rukum (East) District		DATE	REVISION	SIGNATURE	DESIGNED BY :	SCALE 2m 0 4m 1:200	Cross-Section 6+300-6+336.1	DATE: February 2022
DRAWN BY :									DRG NO. : 1			
CHECKED BY :									SHEET NO. : 71			
APPROVED BY :												